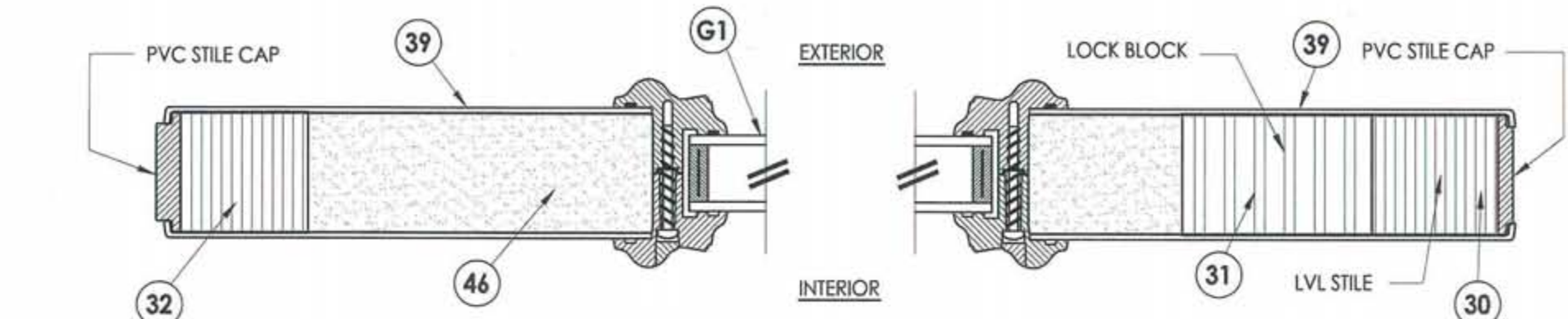
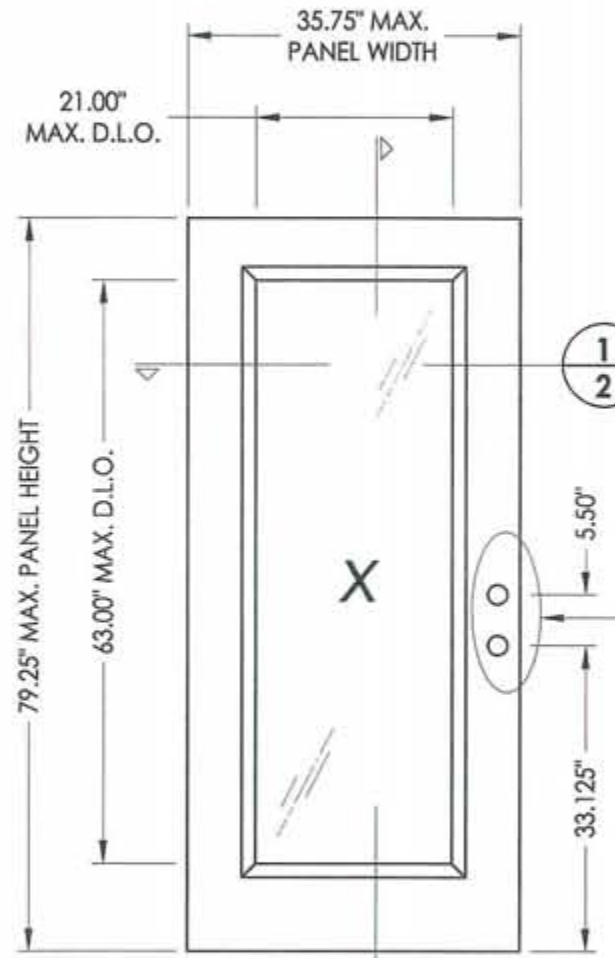


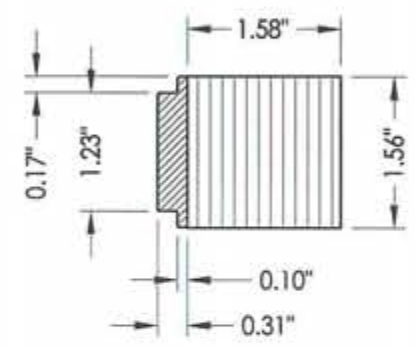
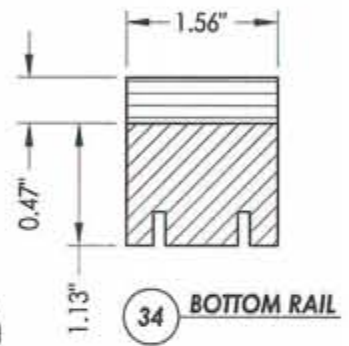
R:\A - Projects\Project Folders\Proj 1101 - 1200\p1122\ID. RWBC Drawings\TX-597\TX-597.dwg, 2



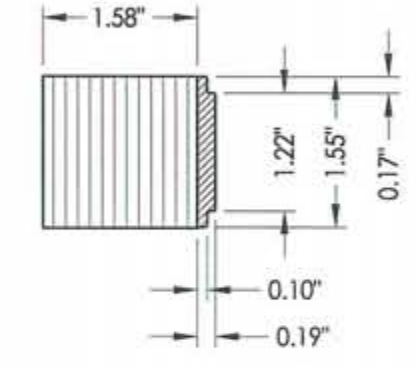
1
2 HORIZONTAL CROSS SECTION



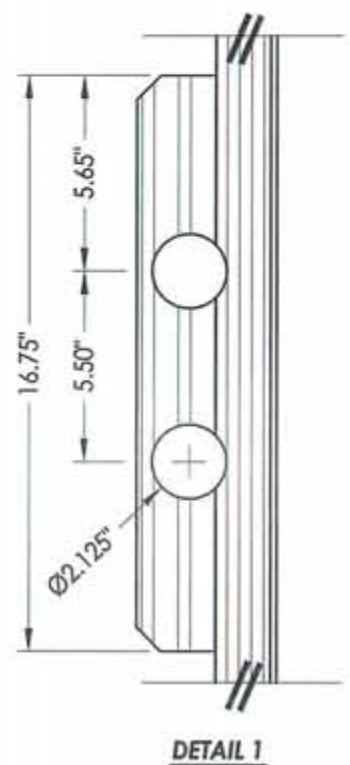
7 PREMIUM LIPLITE FIBERGLASS DOOR



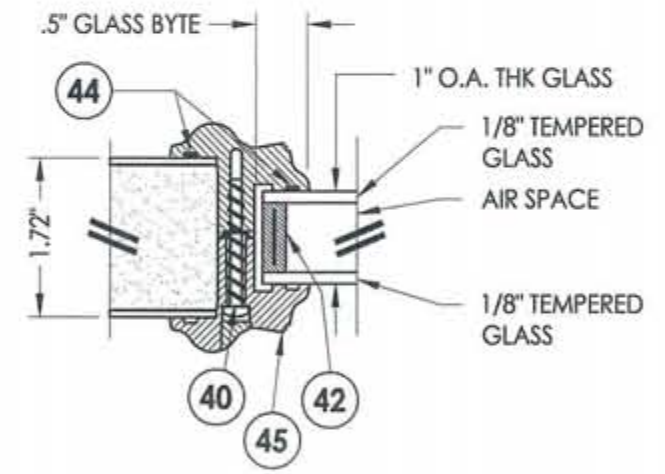
32 HINGE STILE



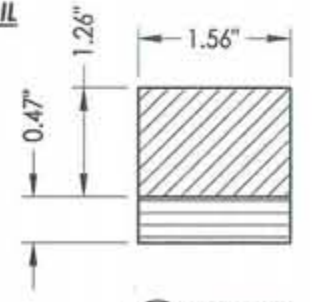
30 LATCH STILE



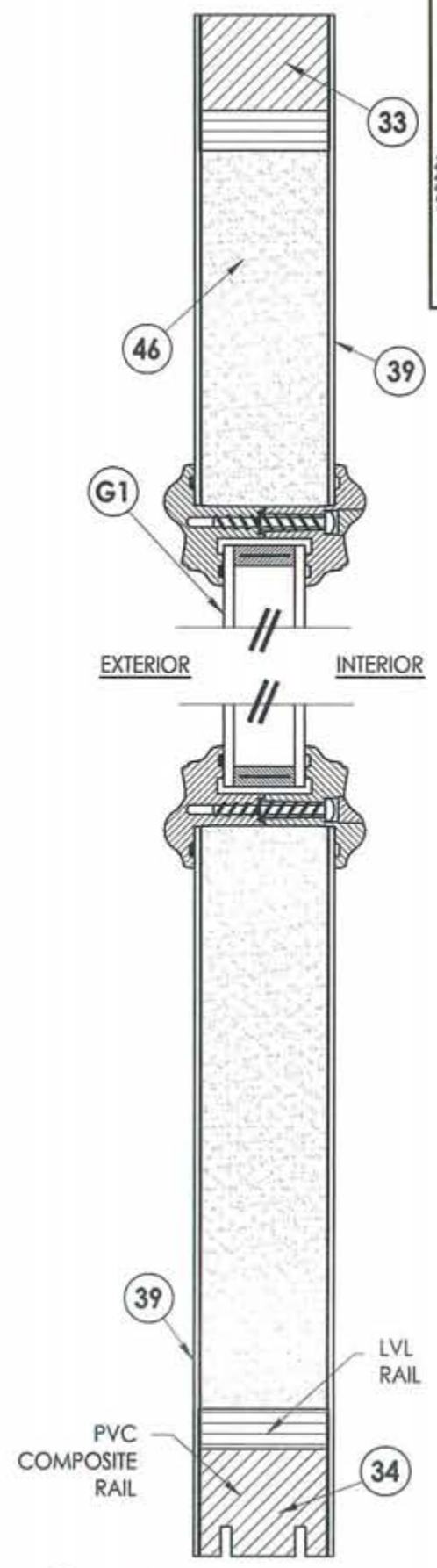
DETAIL 1



G1 GLAZING DETAIL



33 TOP RAIL



2
2 VERTICAL CROSS SECTION



Documents Prepared By: Lyndon F. Schmidt, P.E.
TEXAS P.E. #104123

RW BUILDING CONSULTANTS, INC.
P.O. Box 230 Valrico FL, 33595
Phone No.: 813.659.9197

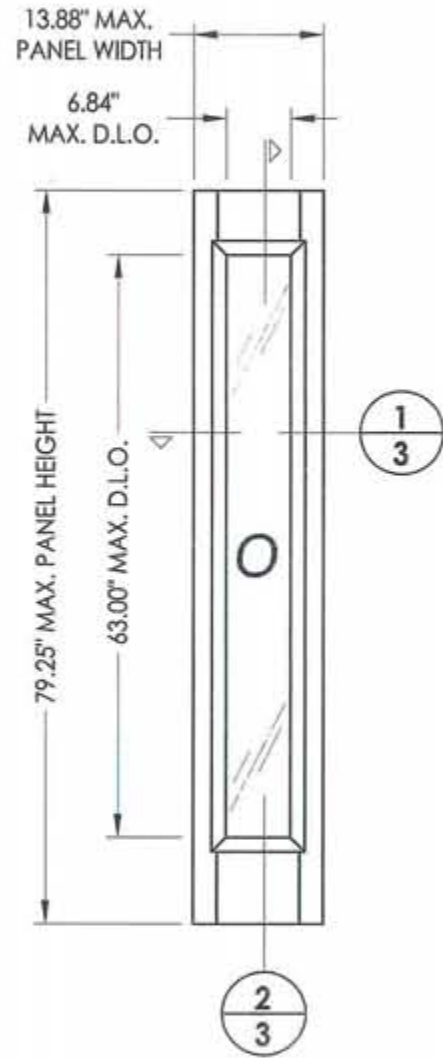
TEXAS BOARD OF PROFESSIONAL ENGINEERS
CERTIFICATE OF REGISTRATION # F-11852

PRODUCT: TRINITY GLASS INT'L
PREMIUM LIPLITE FIBERGLASS

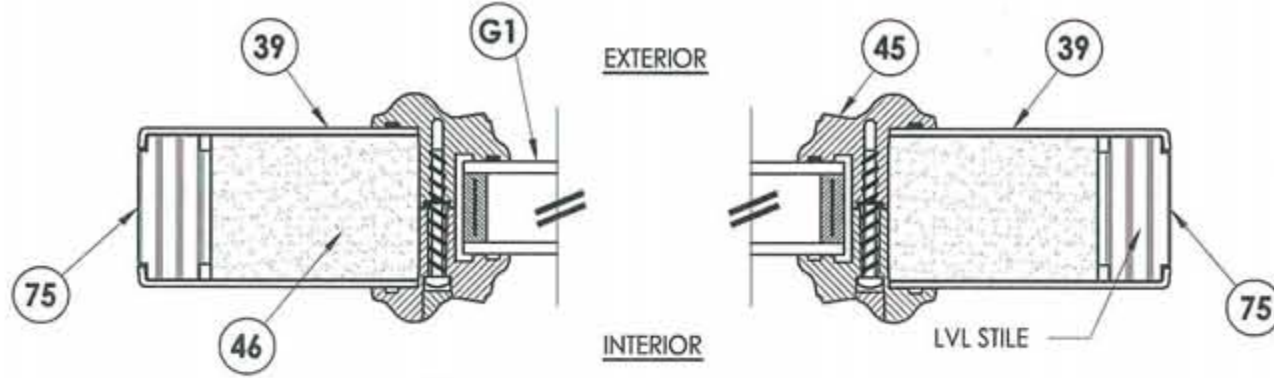
PART OR ASSEMBLY:
DOOR PANEL CONSTRUCTION
DETAILS AND GLAZING DETAILS

NO.	DATE	BY	REVISIONS
2	7/23/09	AL	TDI PRODUCT EVALUATION UPDATE
1	6/28/06	EW	REVISED LOCKSET NOMENCLATURE

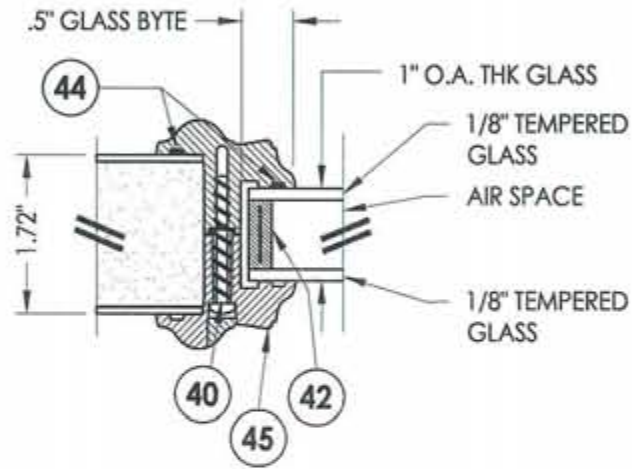
DATE: 8/26/05
SCALE: N.T.S.
DWG. BY: EW
CHK. BY: LFS
DRAWING NO.: TX-597
SHEET 2 OF 9



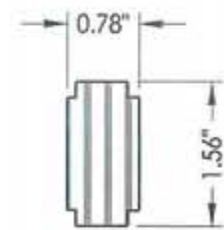
66 PREMIUM LIPLITE FIBERGLASS SIDELITE



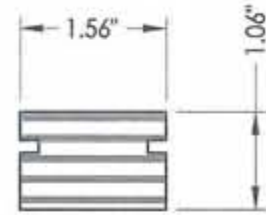
1
3 HORIZONTAL CROSS SECTION



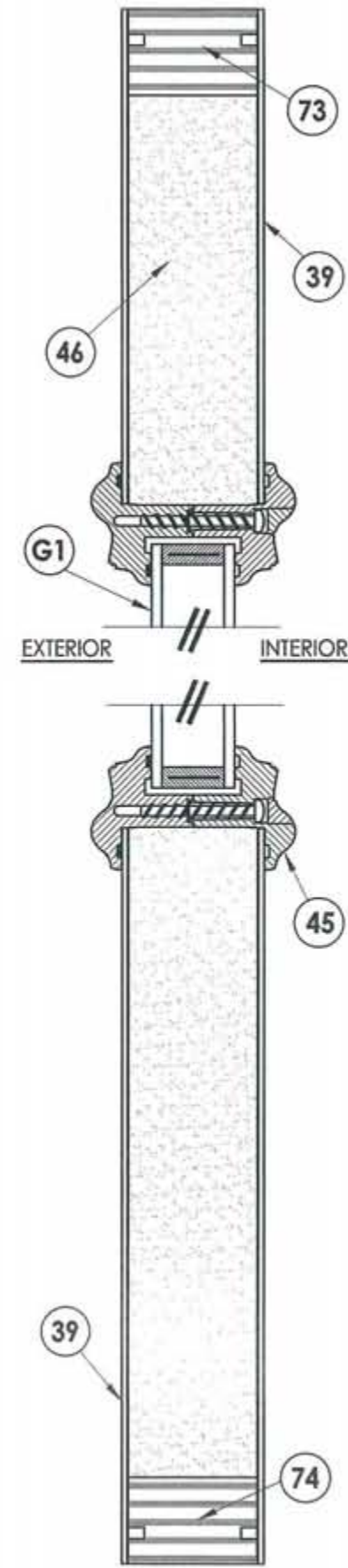
G1 GLAZING DETAIL



75 SIDELITE STILE



74 73 TOP & BOTTOM RAIL SIDELITE



2
3 VERTICAL CROSS SECTION



Documents Prepared By: Lyndon F. Schmidt, P.E.
TEXAS P.E. #104123

RW BUILDING CONSULTANTS, INC.
P.O. Box 230 Valrico FL 33595
Phone No.: 813.659.9197

TEXAS BOARD OF PROFESSIONAL ENGINEERS
CERTIFICATE OF REGISTRATION # F-11852

PRODUCT: TRINITY GLASS INT'L PREMIUM LIPLITE FIBERGLASS

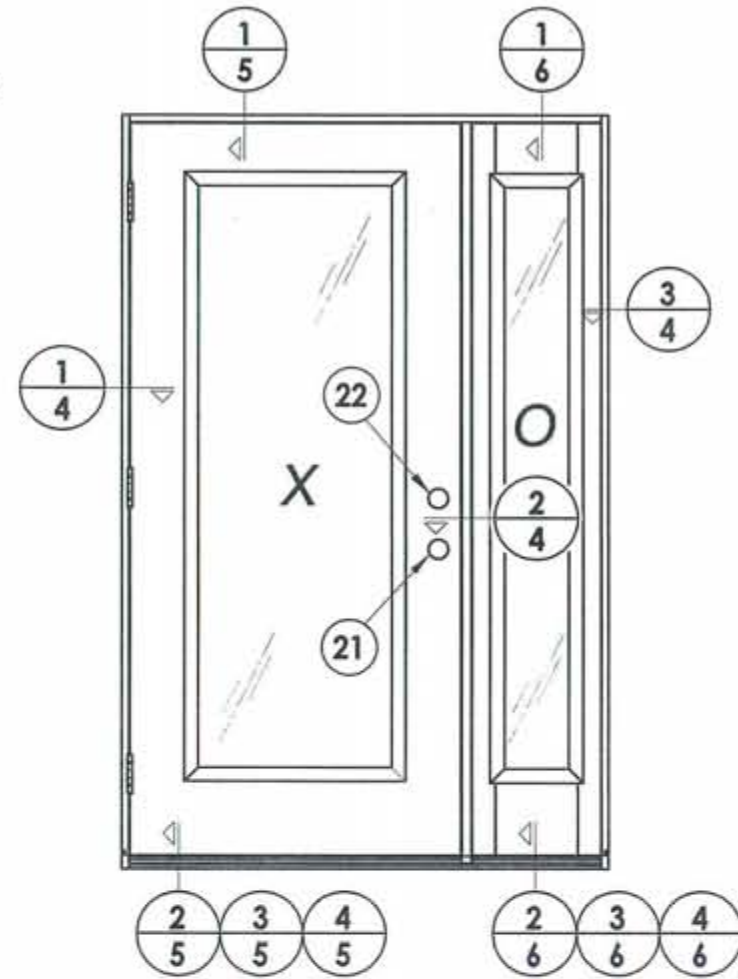
PART OR ASSEMBLY: SIDELITE PANEL CONSTRUCTION DETAILS AND GLAZING DETAILS

NO.	DATE	REVISIONS
2	7/23/09	TDI PRODUCT EVALUATION UPDATE
1	6/28/06	REVISED LOCKSET NOMENCLATURE
		BY

DATE: 8/26/05
SCALE: N.T.S.
DWG. BY: EW
CHK. BY: LFS
DRAWING NO.: TX-597
SHEET 3 OF 9

NOTE:

- Sidelite ass'y fastener: 6" from each end and 4 more screws equally spaced between (6 screws total per jamb).



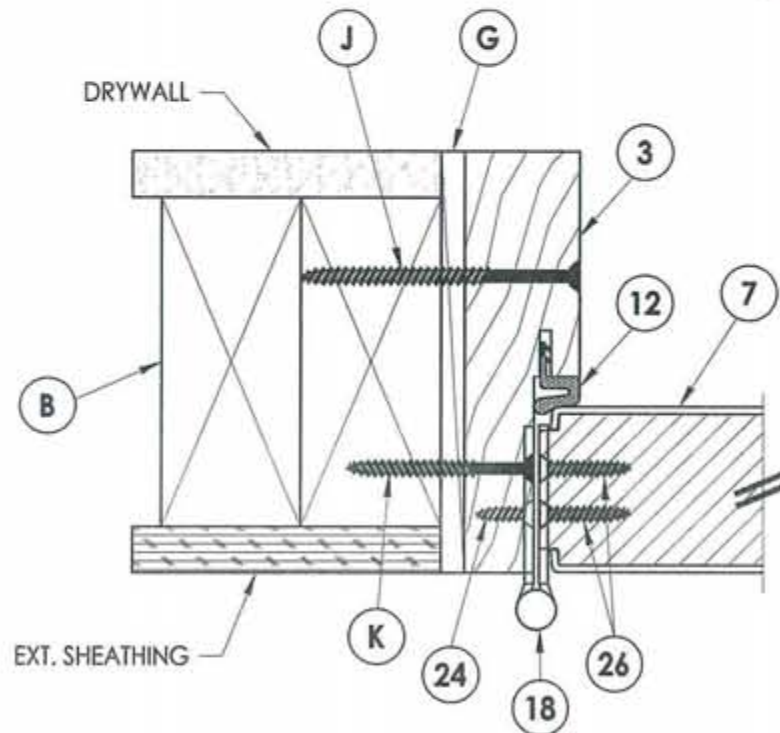
LOCK & DEADBOLT RATINGS CHART				
MANUFACTURER	MODEL	ITEM #	MAX. DESIGN PRESSURE (PSF)	
			POSITIVE	NEGATIVE
KWIKSET	LOCK: 740	21	+55.0	-55.0
	DEADBOLT: 780	22		
KWIKSET	LOCK: COMBO 660	21	+55.0	-55.0
	DEADBOLT: COMBO 660	22		
SCHLAGE	LOCK: MAX. SECURITY	21	+55.0	-55.0
	DEADBOLT: MAX. SECURITY	22		



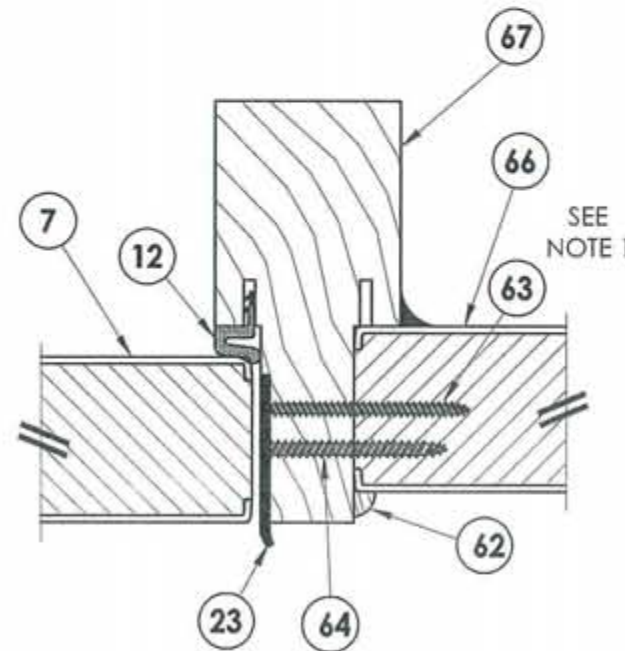
Documents Prepared By: Lyndon F. Schmidt, P.E.
TEXAS P.E. #104123

RW BUILDING CONSULTANTS, INC.
P.O. Box 230 Valrico FL 33595
Phone No.: 813.659.9197

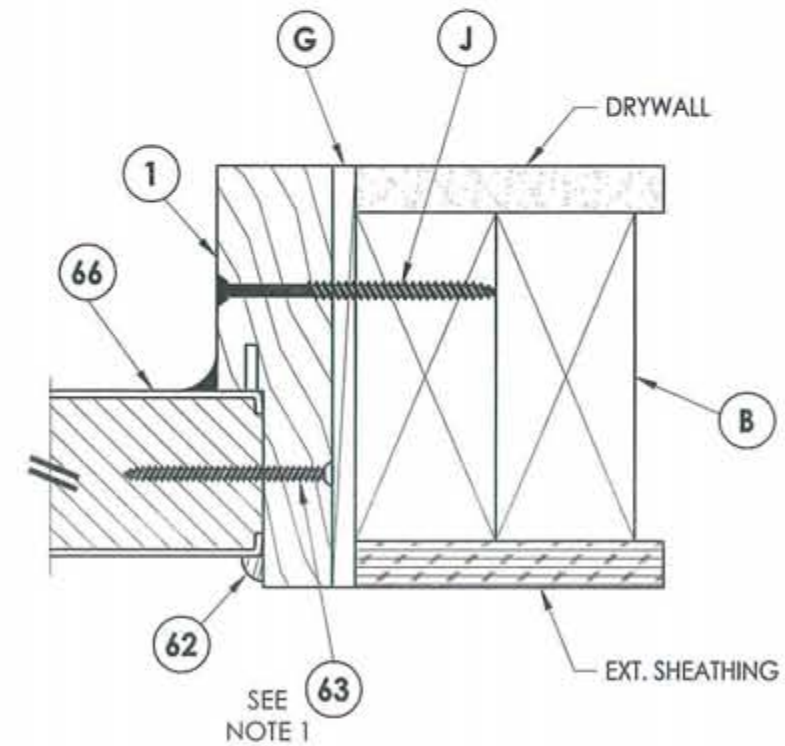
TEXAS BOARD OF PROFESSIONAL ENGINEERS
CERTIFICATE OF REGISTRATION # F-11852



1 HORIZONTAL CROSS SECTION
4 Outswing shown
Inswing also approved

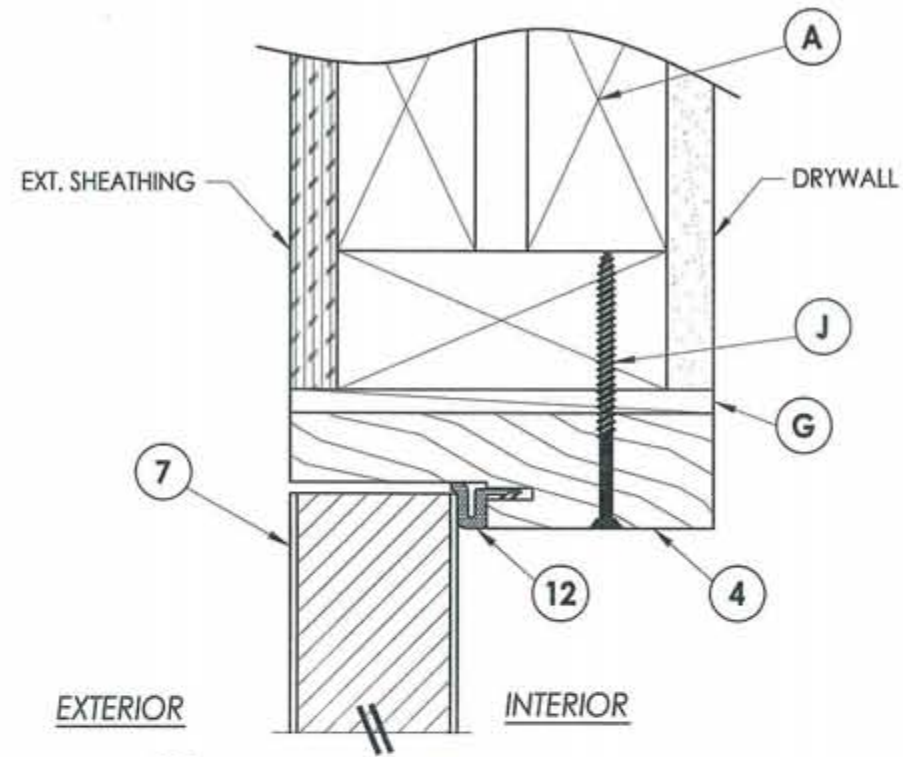


2 HORIZONTAL CROSS SECTION
4 Outswing shown
Inswing also approved

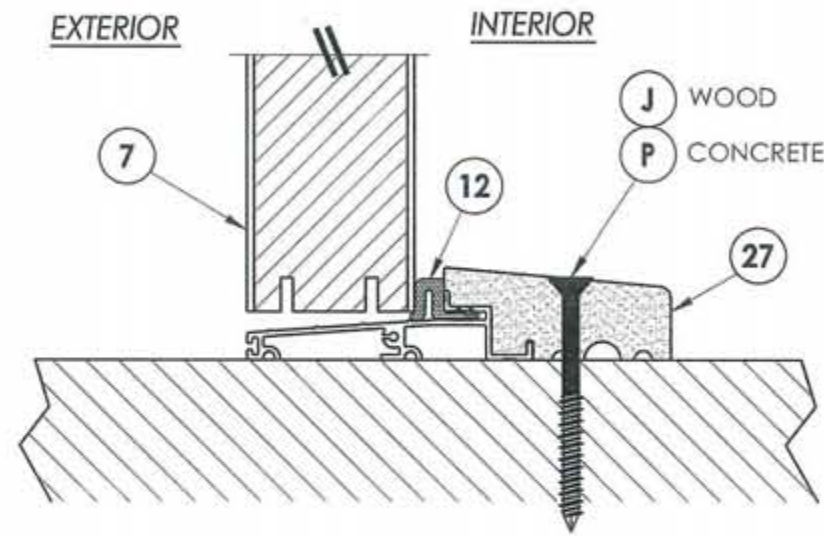


3 HORIZONTAL CROSS SECTION
4 Outswing shown
Inswing also approved

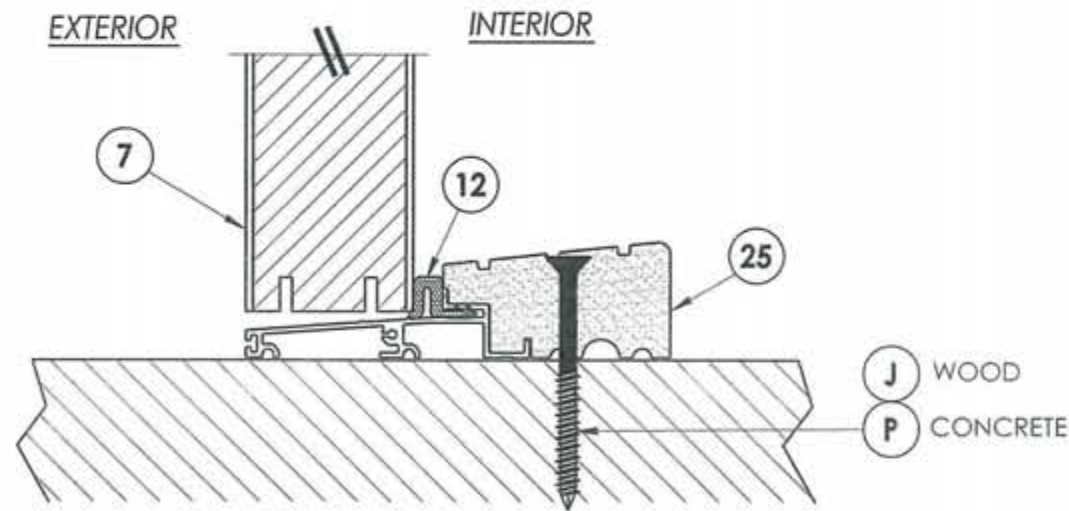
PRODUCT:		TRINITY GLASS INT'L PREMIUM LIPLITE FIBERGLASS	
PART OR ASSEMBLY:		HORIZONTAL CROSS SECTIONS	
NO.	DATE	BY	REVISIONS
2	7/23/09	AL	TDI PRODUCT EVALUATION UPDATE
1	6/28/06	EW	REVISED LOCKSET NOMENCLATURE
DATE: 8/26/05			
SCALE: N.T.S.			
DWG. BY: EW			
CHK. BY: LFS			
DRAWING NO.: TX-597			
SHEET 4 OF 9			



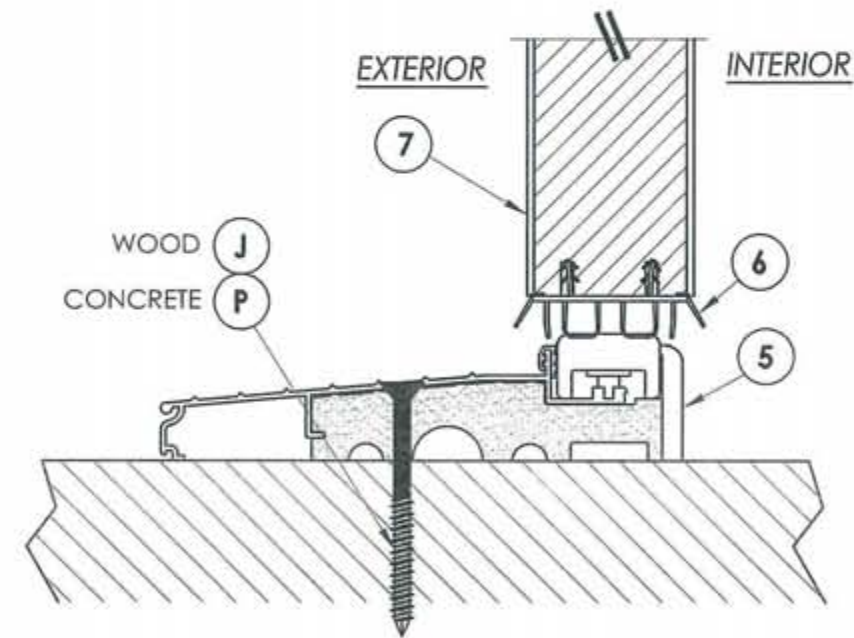
1 VERTICAL CROSS SECTION
5 Outswing shown
 Inswing also approved



2 VERTICAL CROSS SECTION
5 Outswing configuration



3 VERTICAL CROSS SECTION
5 Outswing configuration



4 VERTICAL CROSS SECTION
5 Inswing configuration

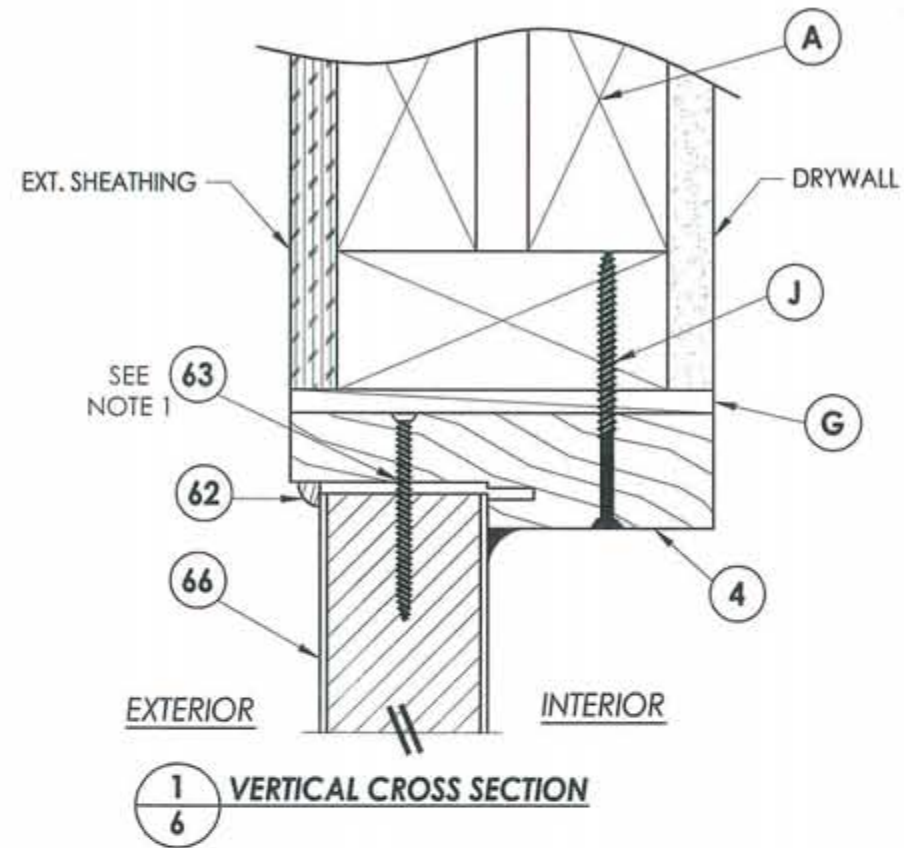


Documents Prepared By: Lyndon F. Schmidt, P.E.
 TEXAS P.E. #104123
 RW BUILDING CONSULTANTS, INC.
 P.O. Box 230 Valrico FL, 33595
 Phone No.: 813.659.9197
 TEXAS BOARD OF PROFESSIONAL ENGINEERS
 CERTIFICATE OF REGISTRATION # F-11852

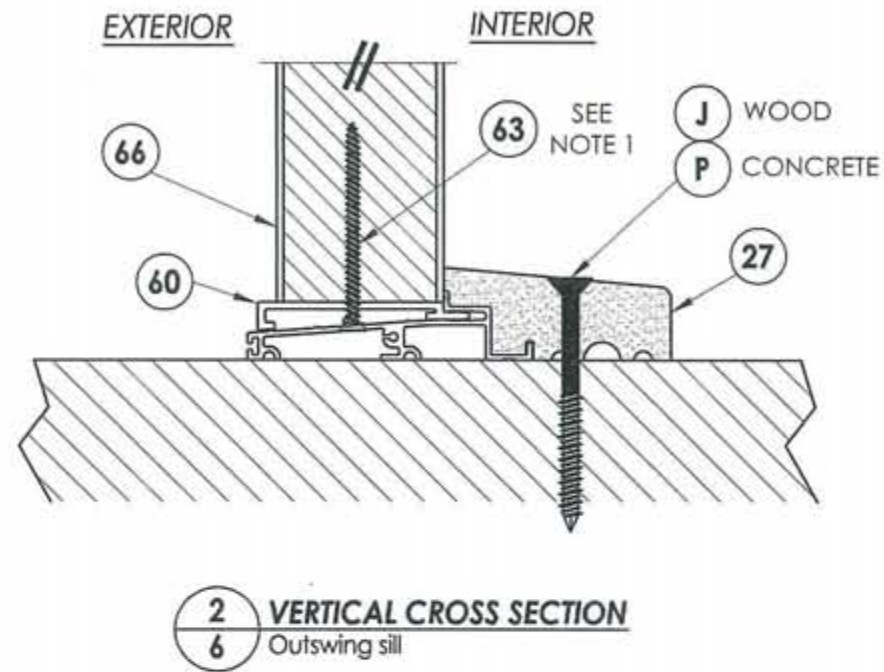
PRODUCT: TRINITY GLASS INT'L PREMIUM LIPLITE FIBERGLASS
 PART OR ASSEMBLY: VERTICAL CROSS SECTIONS

NO	DATE	REVISIONS
2	7/23/09	TDI PRODUCT EVALUATION UPDATE
1	6/28/06	REVISED LOCKSET NOMENCLATURE

DATE: 8/26/05
 SCALE: N.T.S.
 DWG. BY: EW
 CHK. BY: LFS
 DRAWING NO.: TX-597
 SHEET 5 of 9



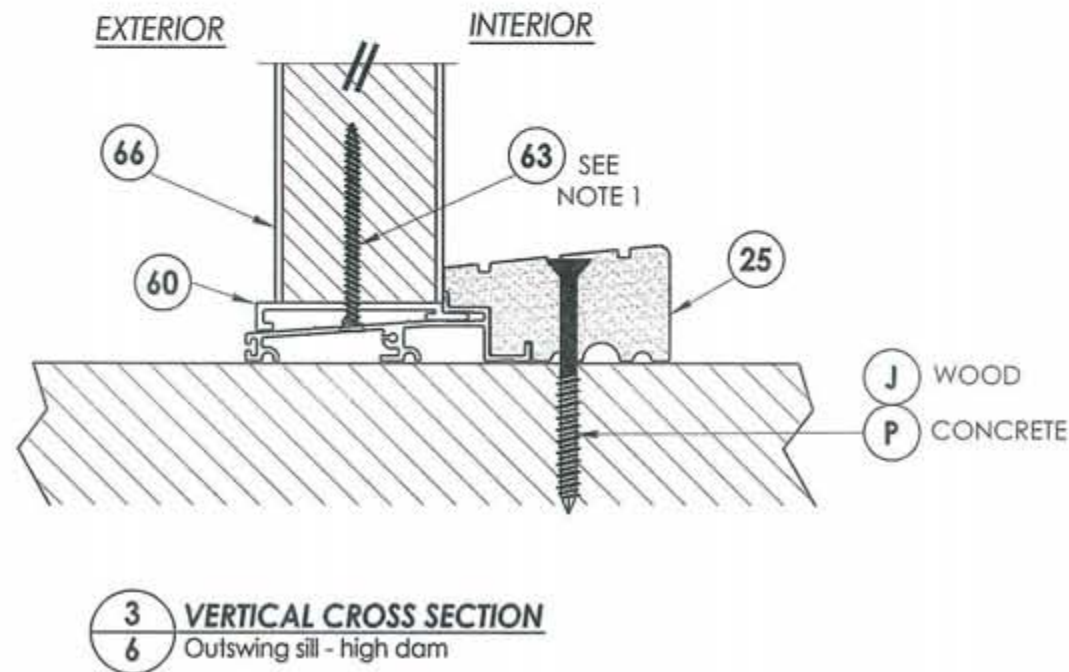
1
6 VERTICAL CROSS SECTION
Outswing sill



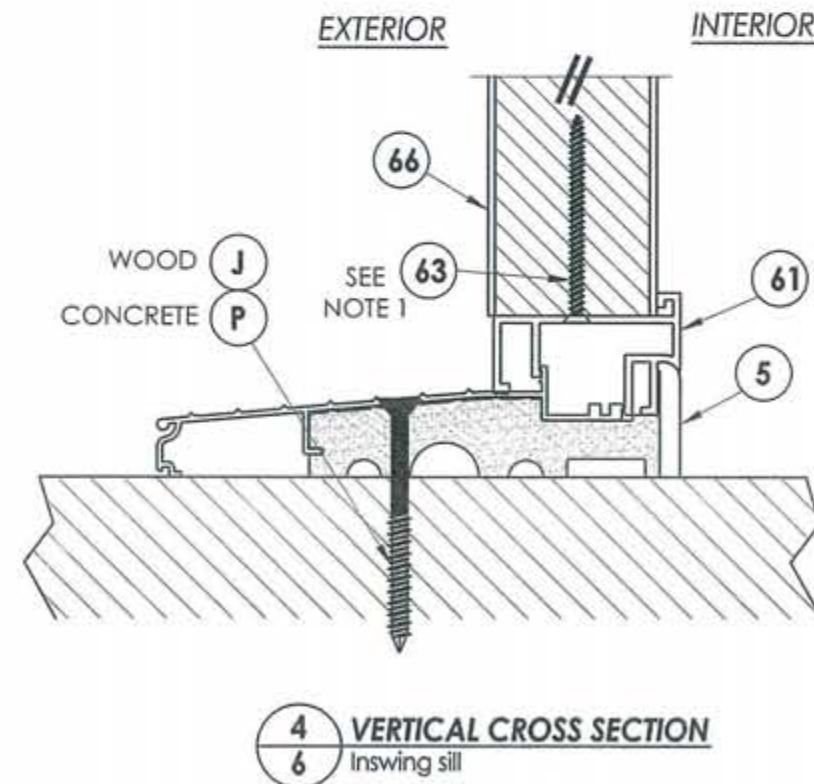
2
6 VERTICAL CROSS SECTION
Outswing sill

NOTE:

1. Screws thru head and sill jamb located 3" from each end and on center line.



3
6 VERTICAL CROSS SECTION
Outswing sill - high dam



4
6 VERTICAL CROSS SECTION
Inswing sill



Documents Prepared By: Lyndon F. Schmidt, P.E.
TEXAS P.E. #104123

RW BUILDING CONSULTANTS, INC.
P.O. Box 230 Veroice FL 33595
Phone No.: 813.659.9197

TEXAS BOARD OF PROFESSIONAL ENGINEERS
CERTIFICATE OF REGISTRATION # F-11852

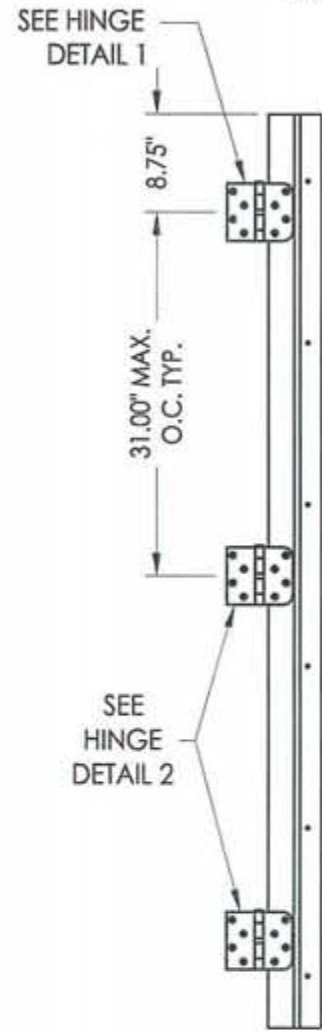
PRODUCT: TRINITY GLASS INT'L PREMIUM LIPLITE FIBERGLASS

PART OR ASSEMBLY: VERTICAL CROSS SECTIONS

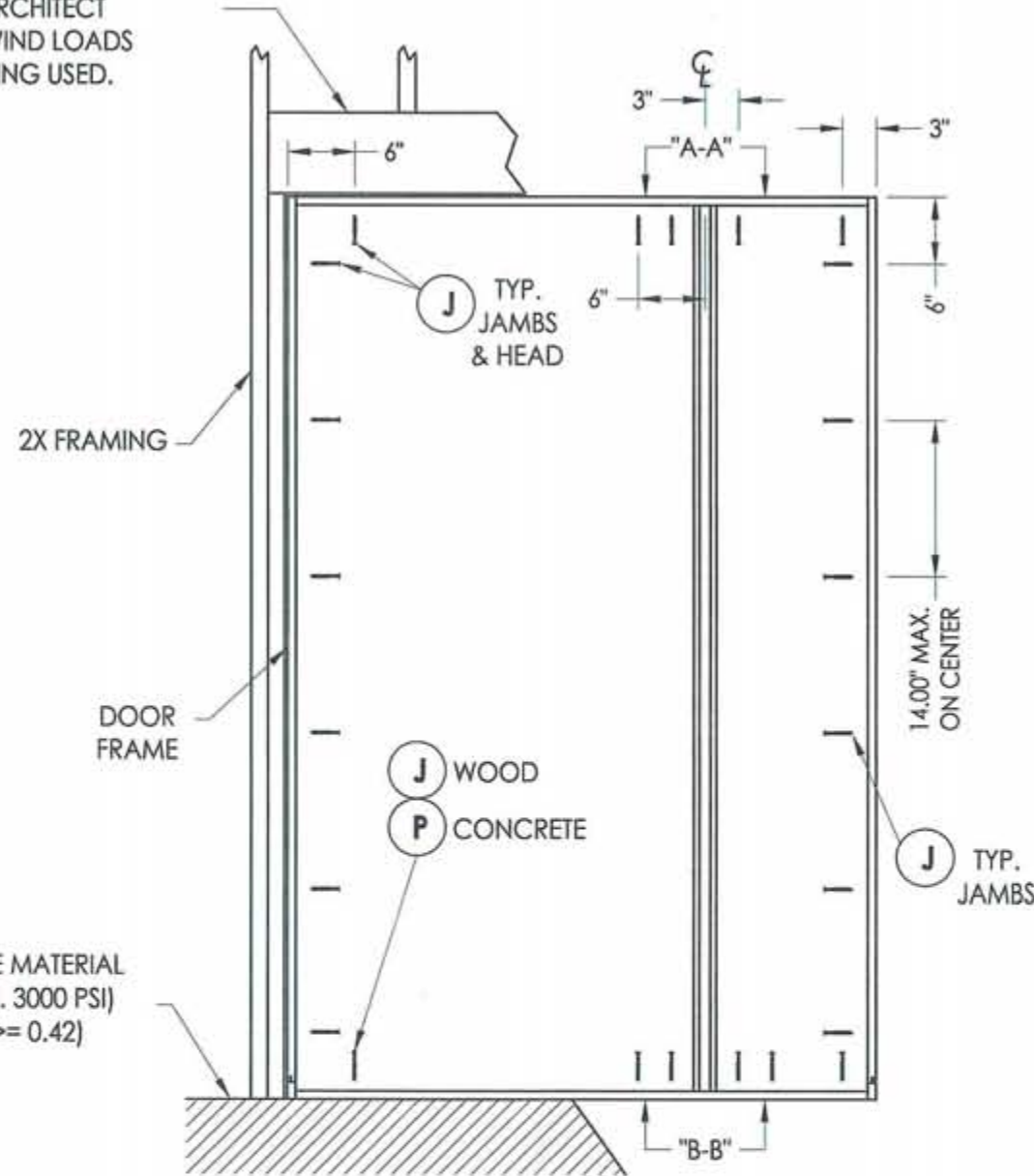
NO	DATE	BY	REVISIONS
2	7/23/09	AL	TDI PRODUCT EVALUATION UPDATE
1	6/28/06	EW	REVISED LOCKSET NOMENCLATURE

DATE: 8/26/05
SCALE: N.T.S.
DWG. BY: EW
CHK. BY: LFS
DRAWING NO.: TX-597
SHEET 6 OF 9

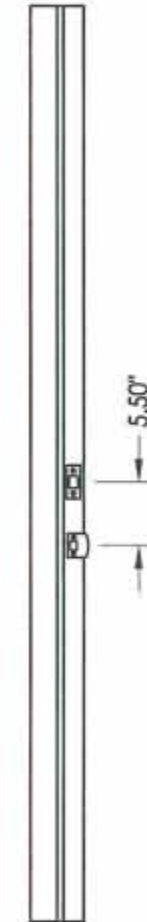
2X FRAMING TO BE DESIGNED BY THE ENGINEER OR ARCHITECT OF RECORD BASED ON WIND LOADS AND THE CLADDING BEING USED.



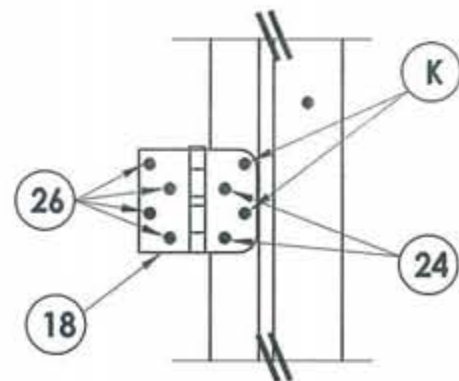
HINGE JAMB



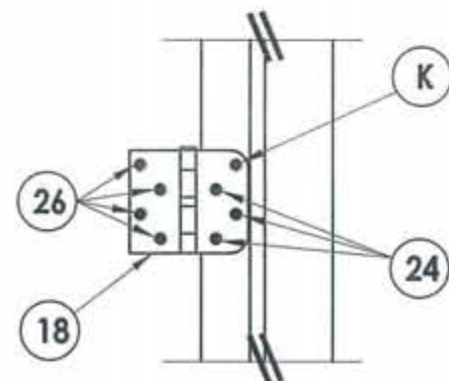
FRAME ANCHORING
Stud construction



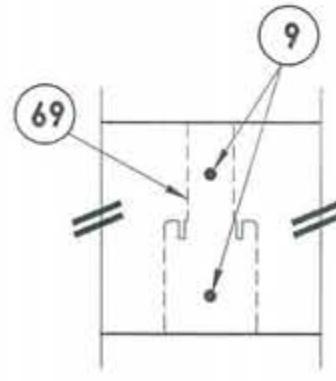
STRIKE MULLION



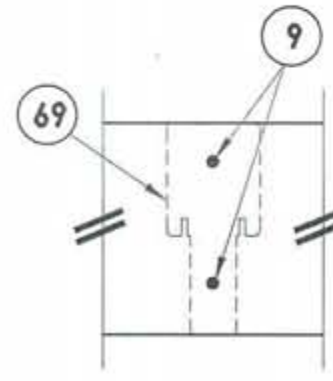
HINGE DETAIL 1



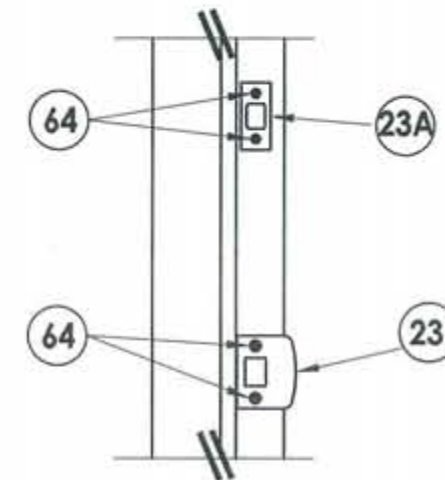
HINGE DETAIL 2



VIEW B-B



VIEW A-A



STRIKE PLATE DETAIL

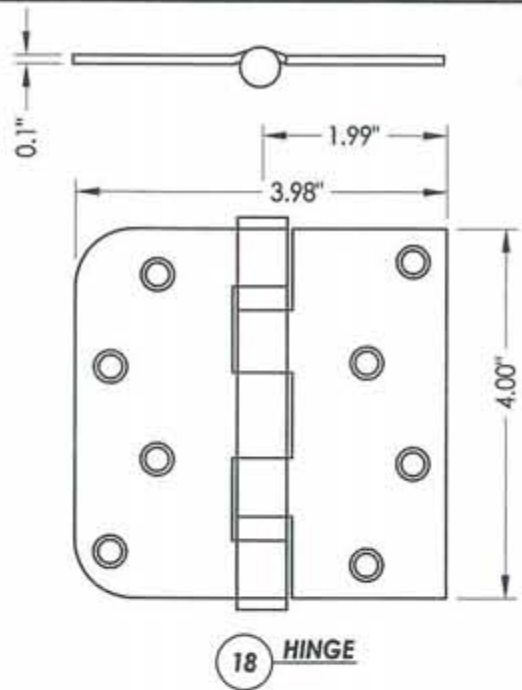


Documents Prepared By: Lyndon F. Schmidt, P.E.
TEXAS P.E. #104123
RW BUILDING CONSULTANTS, INC.
P.O. Box 230 Valrico FL, 33595
Phone No.: 813.659.9197
TEXAS BOARD OF PROFESSIONAL ENGINEERS
CERTIFICATE OF REGISTRATION # F-11852

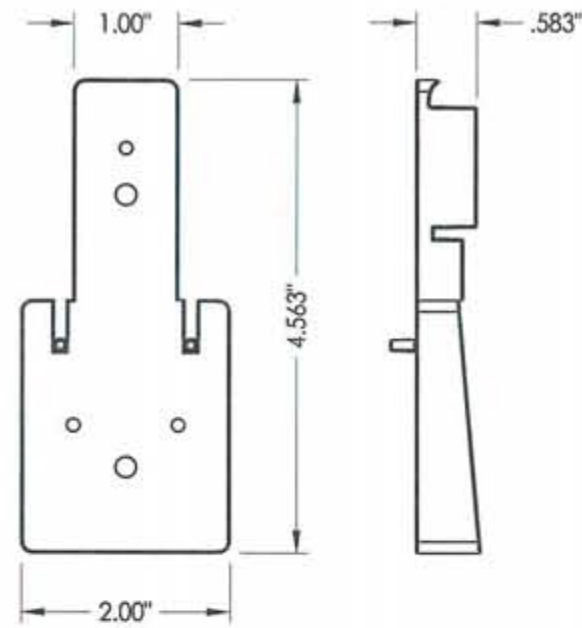
PRODUCT: TRINITY GLASS INT'L PREMIUM LIPLITE FIBERGLASS
PART OR ASSEMBLY: FRAME ANCHORING

NO	DATE	BY	REVISIONS
2	7/23/09	AL	TDI PRODUCT EVALUATION UPDATE
1	6/28/06	EW	REVISED LOCKSET NOMENCLATURE

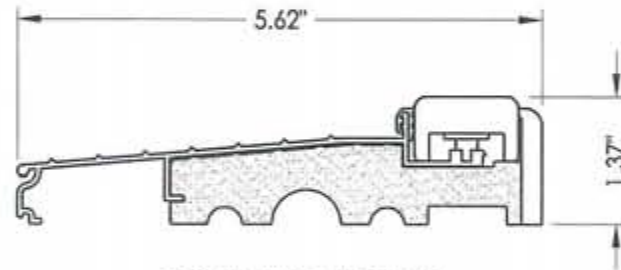
DATE: 8/26/05
SCALE: N.T.S.
DWG. BY: EW
CHK. BY: LFS
DRAWING NO.: TX-597
SHEET 7 of 9



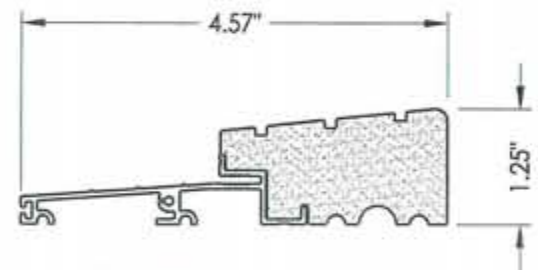
18 HINGE



69 MULLION BASE KIT
Optional



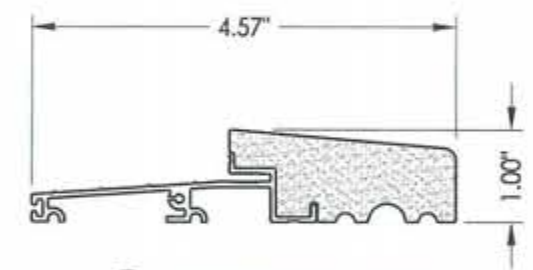
5 INSWING THRESHOLD



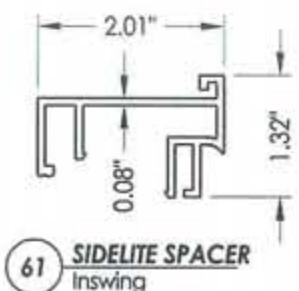
25 OUTSWING THRESHOLD
High-dam option



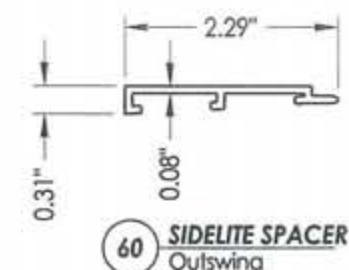
6 DOOR BOTTOM SWEEP



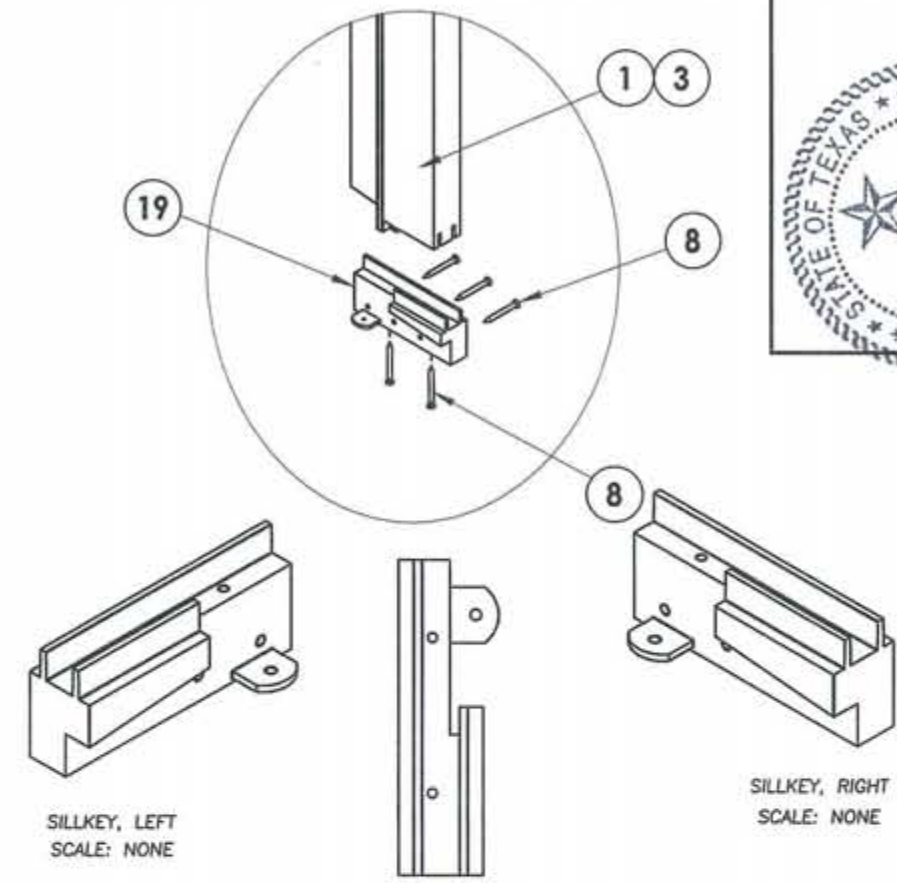
27 OUTSWING THRESHOLD



61 SIDELITE SPACER
Inswing

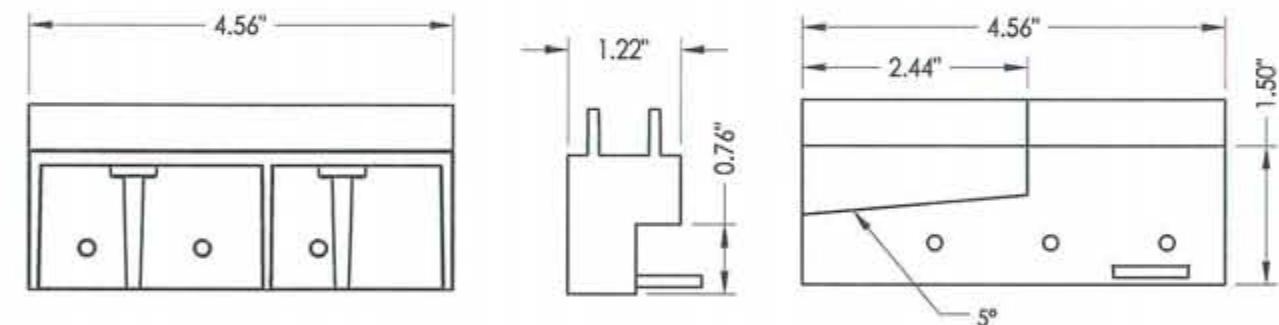


60 SIDELITE SPACER
Outswing

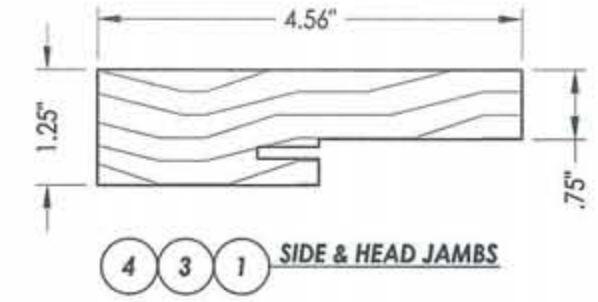


SILLKEY, LEFT
SCALE: NONE

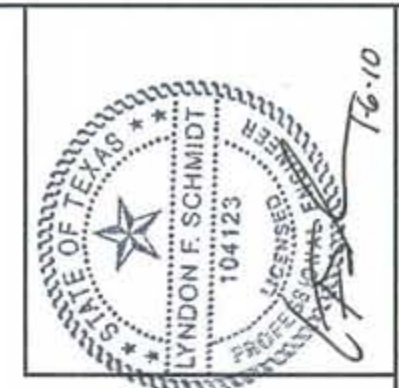
SILLKEY, RIGHT
SCALE: NONE



19 SILLKEY DETAILS
Optional



4 3 1 SIDE & HEAD JAMBS



Documents Prepared By: Lyndon F. Schmidt, P.E.
TEXAS P.E. #104123

RW BUILDING CONSULTANTS, INC.
P.O. Box 230 Valrico FL 33595
Phone No.: 813.659.9197

TEXAS BOARD OF PROFESSIONAL ENGINEERS
CERTIFICATE OF REGISTRATION # F-11852

PRODUCT: TRINITY GLASS INT'L
PREMIUM LIPLITE FIBERGLASS

PART OR ASSEMBLY: COMPONENTS

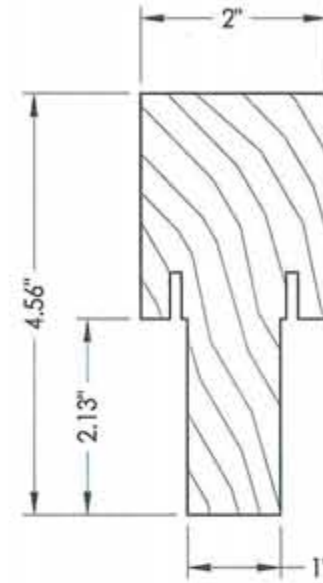
NO	DATE	BY	REVISIONS
2	7/23/09	AL	TDI PRODUCT EVALUATION UPDATE
1	6/28/06	EW	REVISED LOCKSET NOMENCLATURE

DATE: 8/26/05
SCALE: N.T.S.
DWG. BY: EW
CHK. BY: LFS
DRAWING NO.: TX-597
SHEET 8 OF 9

CONCRETE ANCHOR NOTES:

1. Substitution of equal concrete anchors from a different supplier may have different edge distance and center distance requirements.
2. Concrete anchor locations at the corners may be adjusted to maintain the min. edge distance to mortar joints. If concrete anchor locations noted as "MAX. ON CENTER" must be adjusted to maintain the min. edge distance to mortar joints, additional concrete anchors may be required to ensure the "MAX. ON CENTER" dimensions are not exceeded.
3. Concrete anchor table:

ANCHOR TYPE	ANCHOR SIZE	MIN. EMBEDMENT	MIN. CLEARANCE TO MASONRY EDGE	MIN. CLEARANCE TO ADJACENT ANCHOR
ITW	3/16"	1-3/4"	2-5/8"	2-1/4"
ELCO	3/16"	1-3/4"	1"	3"



67 INTEGRAL MULLION



Documents Prepared By: Lyndon F. Schmidt, P.E.
TEXAS P.E. #104123

RW BUILDING CONSULTANTS, INC.
P.O. Box 230 Valrico FL 33595
Phone No.: 813.659.9197

TEXAS BOARD OF PROFESSIONAL ENGINEERS
CERTIFICATE OF REGISTRATION # F-11852

BILL OF MATERIALS					
ITEM	DESCRIPTION	MATERIAL	ITEM	DESCRIPTION	MATERIAL
A	2X HEADER FRAMING SG >= 0.42	WOOD	26	#9 X 1" PFH SCREW	STEEL
B	2X FRAMING SG >= 0.42	WOOD	27	OUTSWING THRESHOLD ALUMINUM W/ COMPOSITE SUBSTRATE	ALUM./ COMP.
G	MAX. 1/4" SHIM SPACE	WOOD	30	LATCH STILE - SG >= 0.42	LVL/PVC
J	#10 X 3" PFH WS	STEEL	31	LVL LOCK BLOCK	POPLAR
K	#9 X 2" PFH WS	STEEL	32	HINGE STILE - SG >= 0.42	LVL/PVC
P	3/16" X 2-3/4" ELCO OR ITW PFH CONCRETE SCREW	STEEL	33	TOP RAIL - POPLAR LVL & WPC COMBINATION	POPLAR/WPC
1	SIDELITE JAMB - FINGER-JOINT PINE - SG >= 0.42	WOOD	34	BOTTOM RAIL - POPLAR LVL & WPC COMBINATION	POPLAR/WPC
3	HINGE JAMB - FINGER-JOINT PINE - SG >= 0.42	WOOD	39	FIBERGLASS SKIN 0.079" MIN. THICKNESS (Fy = 5,203 PSI MIN.)	FIBERGLASS
4	HEAD - FINGER-JOINT PINE - SG >= 0.42	WOOD	40	#8 X 1-1/8" SELF THREADING SCREW	STEEL
5	INSWING THRESHOLD ALUMINUM W/ COMPOSITE SUBSTRATE	ALUMINUM	42	ALUMINUM & BUTYL SPACER SYSTEM	ALUM./BUTYL
6	DOOR BOTTOM SWEEP	PVC	44	HOT MELT SEALANT / SILICONE	-
7	DOOR PANEL - SEE DOOR PANEL DETAIL SHEET FOR CONSTRUCTION DETAILS	-	45	LITE FRAME	PC/ASA
8	#6 X 1-1/4" PFH DRYWALL SCREW	STEEL	46	FOAM CORE	POLYURETHANE
9	#9 X 2-1/4" PFH WOOD SCREW	STEEL	60	SIDELITE SPACER - OUTSWING	PVC
12	WEATHER STRIP QEBD650 Q-LON	-	61	SIDELITE SPACER - INSWING	PVC
18	3.983" X 4.0" HINGE MIN 0.098" THICK	STEEL	62	QUARTER ROUND	WOOD
19	SILLKEY	PC/ASA	63	#8 X 2-1/4" PFH SCREW	STEEL
21	LOCK (SEE LOCK & DEADBOLT RATINGS CHART)	STEEL	64	#8 X 2" PFH SCREW	STEEL
22	DEADBOLT (SEE LOCK & DEADBOLT RATINGS CHART)	STEEL	66	SIDELITE PANEL - SEE SIDELITE PANEL DETAIL SHEET FOR CONSTRUCTION DETAILS	-
23	STRIKE PLATE	STEEL	67	INTEGRAL MULLION - FINGER JOINT PINE (SG >= 0.42)	WOOD
23A	DEADBOLT PLATE	STEEL	69	MULLION BASE KIT	PC/ASA
24	#9 X 5/8" PFH SCREW	STEEL	73	LVL SIDELITE TOP RAIL (FULL LITE)	POPLAR
25	OUTSWING HIGH-DAM THRESHOLD ALUMINUM W/ COMPOSITE SUBSTRATE	ALUM./ COMP.	74	LVL SIDELITE BOTTOM RAIL (FULL LITE)	POPLAR
			75	LVL SIDELITE STILE (FULL LITE)	POPLAR

PRODUCT: TRINITY GLASS INT'L PREMIUM LIPLITE FIBERGLASS

PART OR ASSEMBLY: BILL OF MATERIALS

NO.	DATE	REVISIONS
2	7/23/09	TDI PRODUCT EVALUATION UPDATE
1	6/28/06	REVISED LOCKSET NOMENCLATURE

DATE: 8/26/05
SCALE: N.T.S.
DWG. BY: EW
CHK. BY: LFS
DRAWING NO.: TX-597
SHEET 9 OF 9