

**6'0 X 6'8**  
**GLAZED PREMIUM FIBERGLASS**  
**DOUBLE DOOR WITH SIDELITES (BOXED)**  
**IN SWING / OUT SWING**  
**"NON-IMPACT"**

**EVALUATED FOR USE IN THE STATE OF TEXAS**

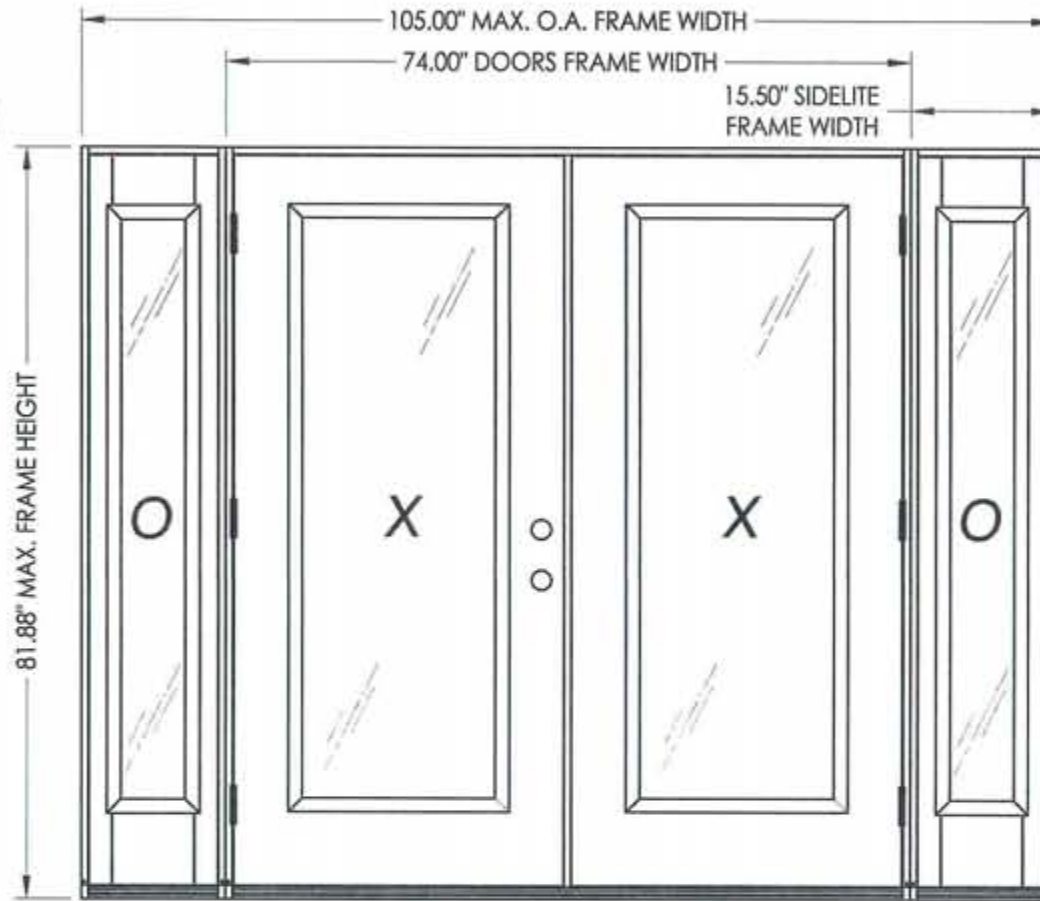
The Trinity Glazed Premium Fiberglass Double Door with boxed sidelites described herein complies with the 2006 International Residential Code (IRC), Sections R301 & R613 and the 2006 International Building Code (IBC), Sections 1405.12, 1609, 1714.5, 2403 and 2404 (including Texas revisions) subject to the following conditions:

1. Anchors shall be as listed and spaced as shown in the details. Anchor embedment to base material shall be beyond wall dressing or stucco.
2. When used in areas requiring wind-borne debris protection this product is required to be protected with an impact resistant covering that complies with Section R301.2.1.2 of the IRC and Section 1609.1.2 of the IBC.
3. Allowable design pressure requirements must be equal to or less than the design pressure rating shown in the design pressure chart, sheet 1 of this drawing.
4. Conditions not covered by this drawing are subject to further engineering analysis.

**SUPPORTING DOCUMENTS & EVIDENCE**

1. Testing per ASTM E330-02 as performed by Testing Evaluation Laboratories Inc. and reported in test report numbers TEL 08-01370020, TEL 06-0223-3, TEL 05-0411-4 and TEL 05-0411-6, signed by Wendell W. Haney, P.E.
2. Calculations (Anchoring and Glass load resistance report ASTM E1300-04) prepared by Lyndon F. Schmidt, P.E.
3. Certificate of Participation issued by the National Accreditation and Management Institute, Inc., certifying that Trinity Glass Int'l is manufacturing products within a Quality Assurance program.

TABLE OF CONTENTS	
SHEET #	DESCRIPTION
1	Typical elevations, design pressures & general notes
2	Door panel construction details & glazing details
3	Sidelite panel construction details & glazing details
4	Horizontal cross sections
5	Vertical cross sections
6	Vertical cross sections
7	Frame anchoring
8	Components
9	Endura astragal details
10	Trinity astragal details
11	PVC astragal details
12	Columbia astragal details
13	Bill of materials



**DOUBLE with BOXED SIDELITES**

ASTRAGAL TYPE	SWING	MAX. FRAME DIMENSION	GLASS TYPE	DESIGN PRESSURE (PSF)	
				POSITIVE	NEGATIVE
ENDURA	IN SWING	105.00" x 81.88"	G1	+45.0	-50.0
	OUT SWING	105.00" x 80.75"		+45.0	-45.0
TRC	IN SWING	105.00" x 81.88"	G1	+55.0	-55.0
	OUT SWING	105.00" x 80.75"		+55.0	-55.0
PVC	IN SWING	105.00" x 81.88"	G1	+43.0	-47.0
	OUT SWING	105.00" x 80.75"		+43.0	-43.0
COLUMBIA	OUT SWING	105.00" x 80.75"	G1	+50.0	-50.0



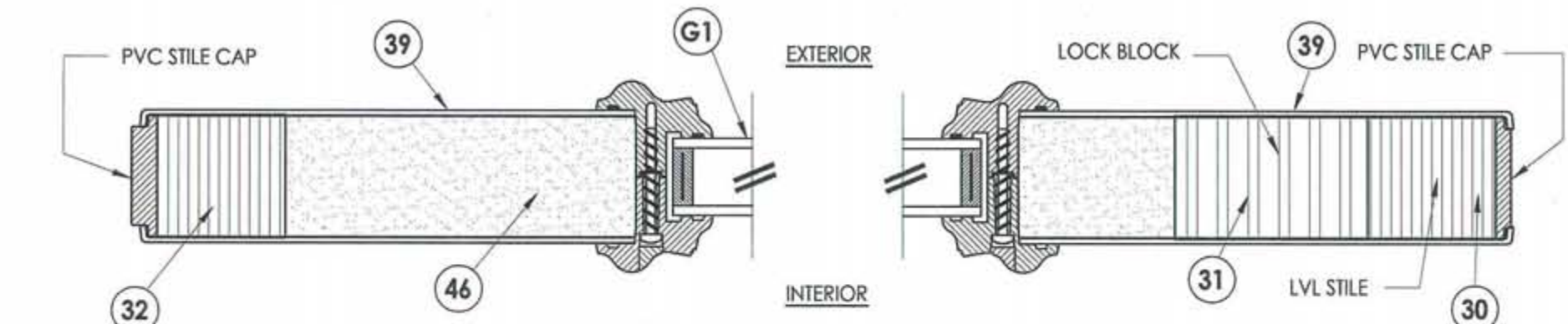
Documents Prepared By: Lyndon F. Schmidt, P.E.  
TEXAS P.E. #104123

**RW** BUILDING CONSULTANTS, INC.  
P.O. Box 230 Valrico FL 33595  
Phone No.: 813.659.9197  
TEXAS BOARD OF PROFESSIONAL ENGINEERS  
CERTIFICATE OF REGISTRATION # F-11852

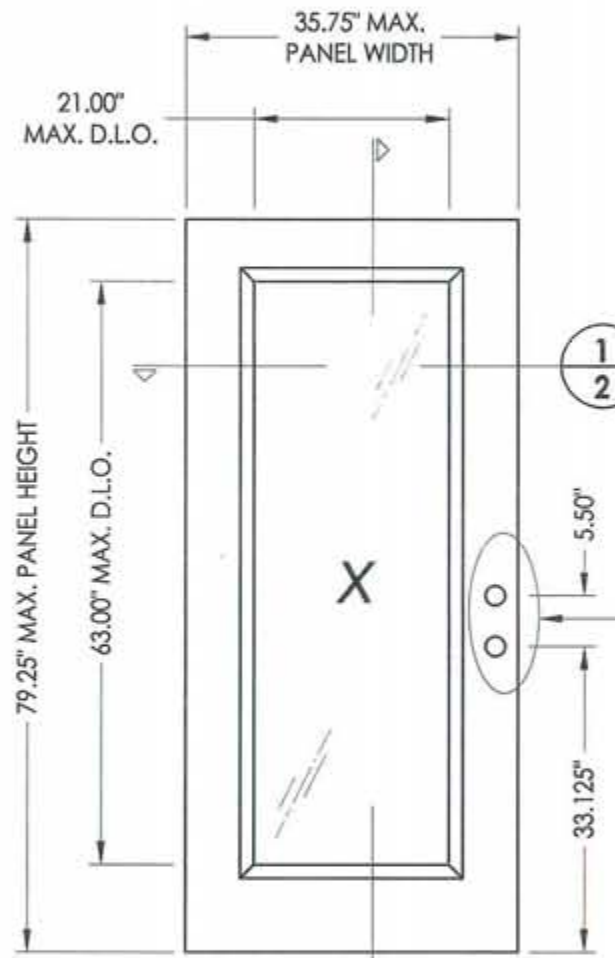
PRODUCT: TRINITY GLASS INT'L PREMIUM LITE FIBERGLASS  
PART OR ASSEMBLY: TYPICAL ELEVATION, DESIGN PRESSURES & GENERAL NOTES

NO.	DATE	REVISIONS
2	7/23/09	TDI PRODUCT EVALUATION UPDATE
1	6/28/06	REVISED LOCKSET NOMENCLATURE

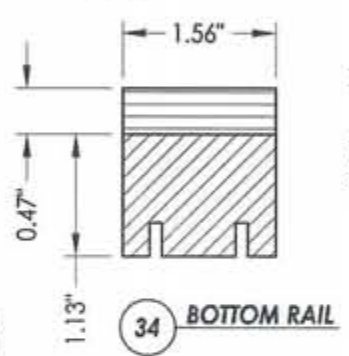
DATE: 8/26/05  
SCALE: N.T.S.  
DWG. BY: EW  
CHK. BY: LFS  
DRAWING NO.: TX-595  
SHEET 1 OF 13



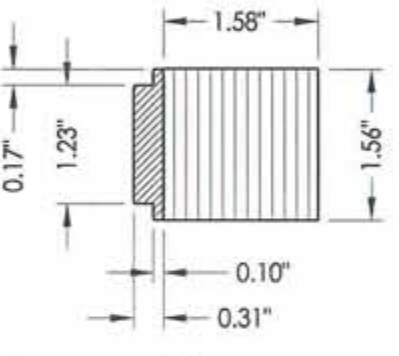
1  
2 HORIZONTAL CROSS SECTION



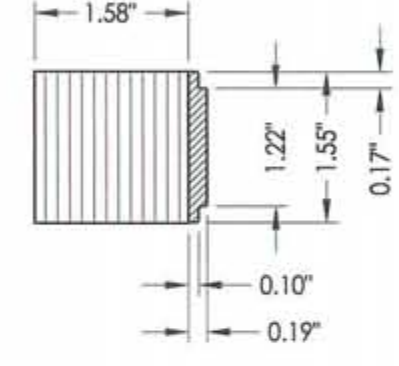
7 PREMIUM LIPLITE FIBERGLASS DOOR



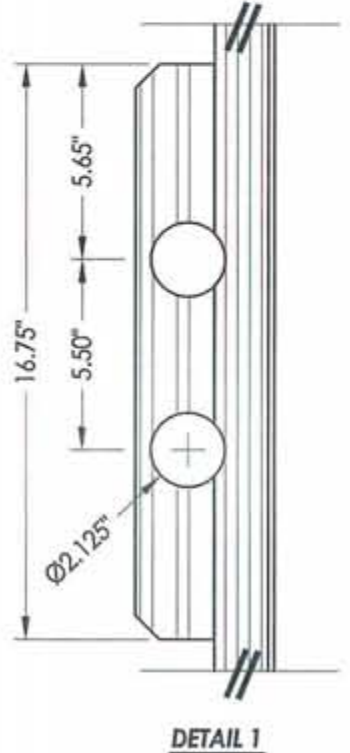
34 BOTTOM RAIL



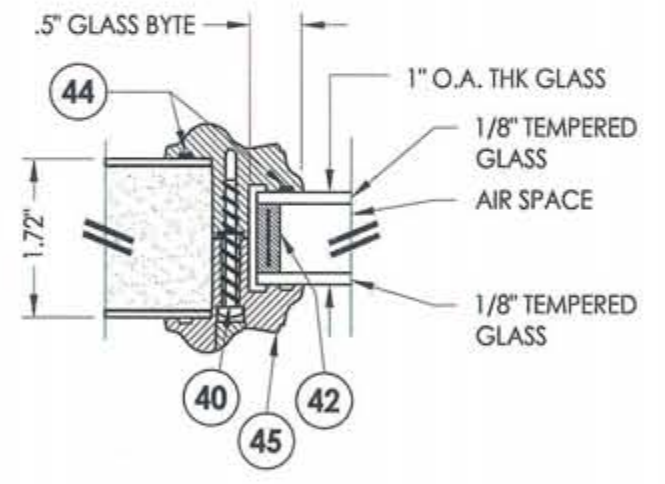
32 HINGE STILE



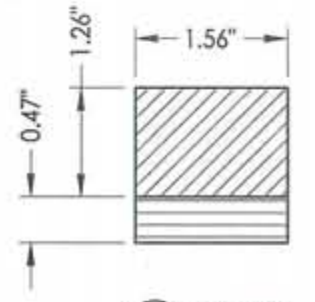
30 LATCH STILE



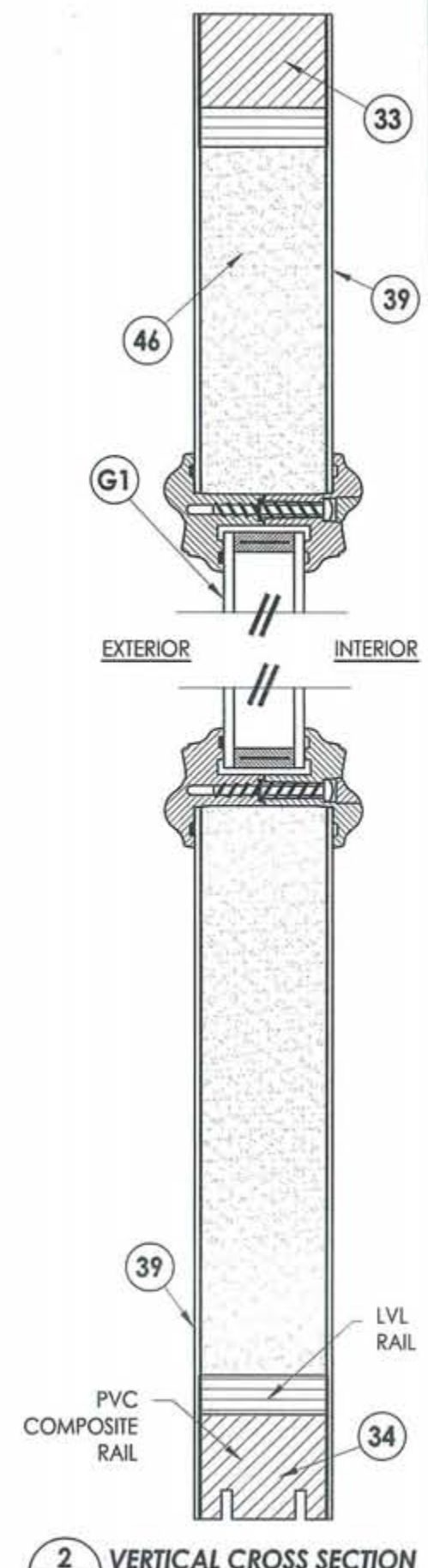
DETAIL 1



G1 GLAZING DETAIL



33 TOP RAIL



2  
2 VERTICAL CROSS SECTION



Documents Prepared By: Lyndon F. Schmidt, P.E.  
TEXAS P.E. #104123

**RW** BUILDING CONSULTANTS, INC.  
P.O. Box 230 Valrico FL, 33595  
Phone No.: 813.659.9197

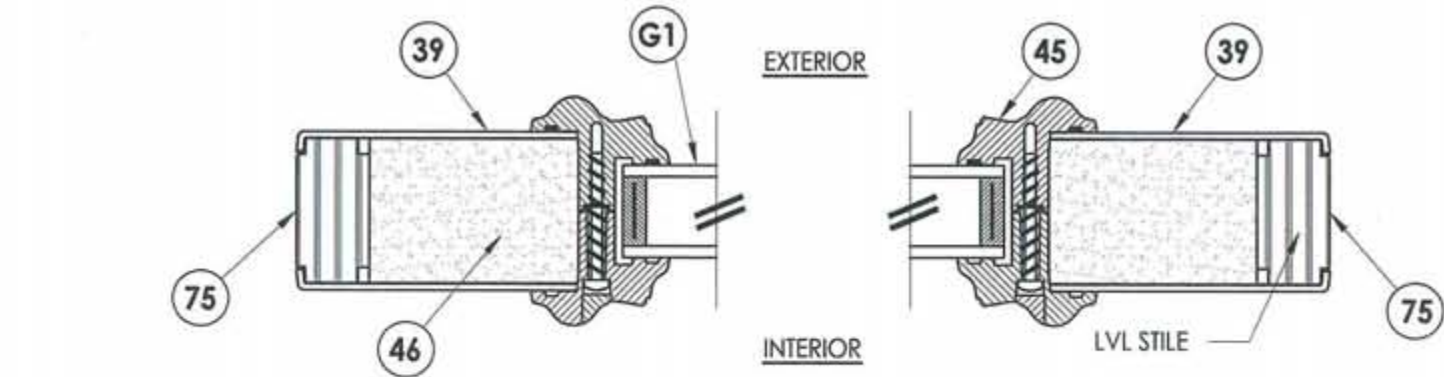
TEXAS BOARD OF PROFESSIONAL ENGINEERS  
CERTIFICATE OF REGISTRATION # F-11852

PRODUCT: TRINITY GLASS INT'L PREMIUM LIPLITE FIBERGLASS

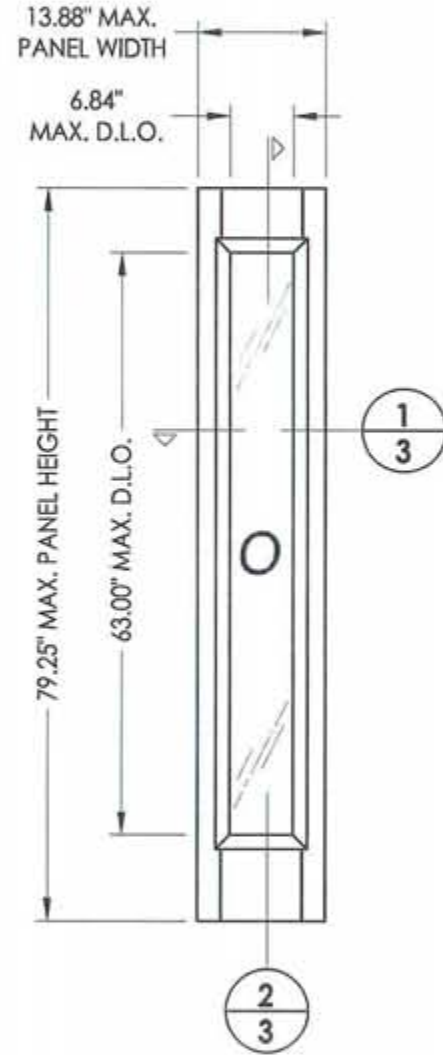
PART OR ASSEMBLY: DOOR PANEL CONSTRUCTION DETAILS AND GLAZING DETAILS

NO.	DATE	REVISIONS	BY
2	7/23/09	TDI PRODUCT EVALUATION UPDATE	AL
1	6/28/06	REVISED LOCKSET NOMENCLATURE	EW

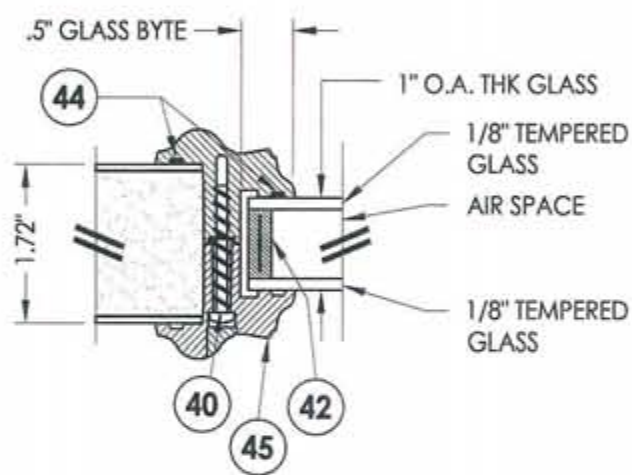
DATE: 8/26/05  
SCALE: N.T.S.  
DWG. BY: EW  
CHK. BY: LFS  
DRAWING NO.: TX-595  
SHEET 2 of 13



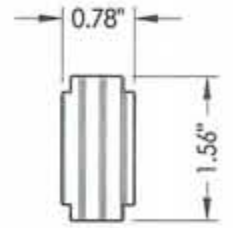
**1**  
**3** HORIZONTAL CROSS SECTION



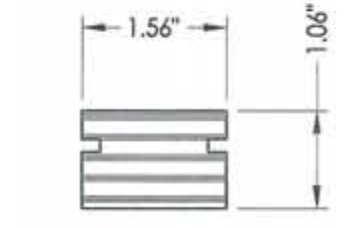
**66** PREMIUM LIPLITE FIBERGLASS SIDELITE



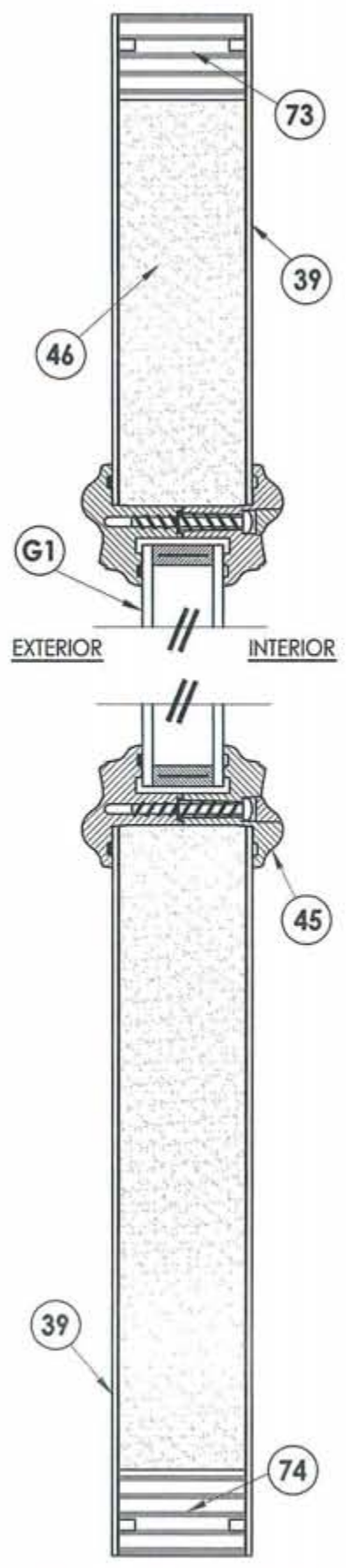
**G1** GLAZING DETAIL



**75** SIDELITE STILE



**74** **73** TOP & BOTTOM RAIL SIDELITE



**2**  
**3** VERTICAL CROSS SECTION



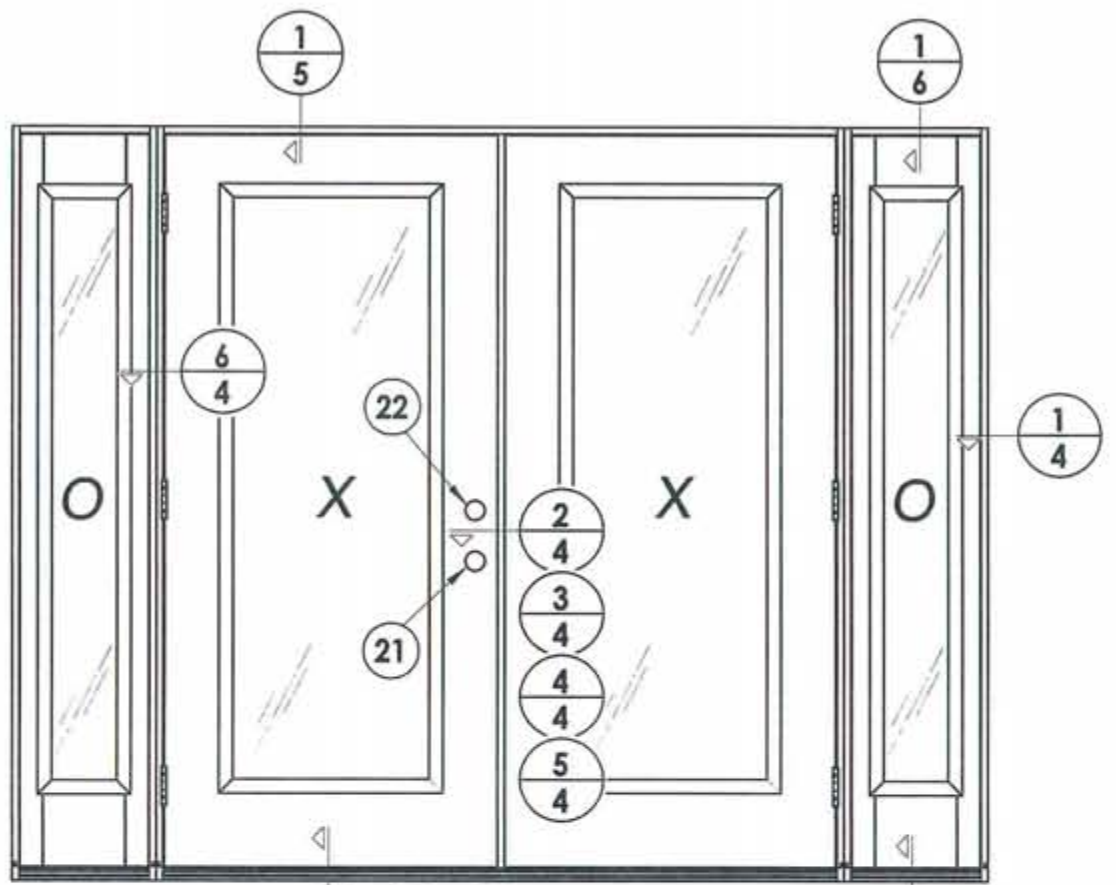
Documents Prepared By: Lyndon F. Schmidt, P.E.  
TEXAS P.E. #104123  
**RW** BUILDING CONSULTANTS, INC.  
P.O. Box 230 Volico FL, 33595  
Phone No.: 813.659.9197  
TEXAS BOARD OF PROFESSIONAL ENGINEERS  
CERTIFICATE OF REGISTRATION # F-11852

PRODUCT: TRINITY GLASS INT'L PREMIUM LIPLITE FIBERGLASS  
PART OR ASSEMBLY: SIDELITE PANEL CONSTRUCTION DETAILS AND GLAZING DETAILS

NO	DATE	BY	REVISIONS
2	7/23/09	AL	TDI PRODUCT EVALUATION UPDATE
1	6/28/06	EW	REVISED LOCKSET NOMENCLATURE

DATE: 8/26/05  
SCALE: N.T.S.  
DWG. BY: EW  
CHK. BY: LFS  
DRAWING NO.: TX-595  
SHEET 3 of 13

R:\A - Projects\Project Folders\Proj 1101 - 1200\p1122\DWG - RWBC Drawings\TX-595\TX-595.dwg, 4



LOCK & DEADBOLT RATINGS CHART				
MANUFACTURER	MODEL	ITEM #	MAX. DESIGN PRESSURE (PSF)	
			POSITIVE	NEGATIVE
KWIKSET	LOCK: 740	21	+55.0	-55.0
	DEADBOLT: 780	22		
KWIKSET	LOCK: COMBO 660	21	+55.0	-55.0
	DEADBOLT: COMBO 660	22		
SCHLAGE	LOCK: MAX. SECURITY	21	+55.0	-55.0
	DEADBOLT: MAX. SECURITY	22		



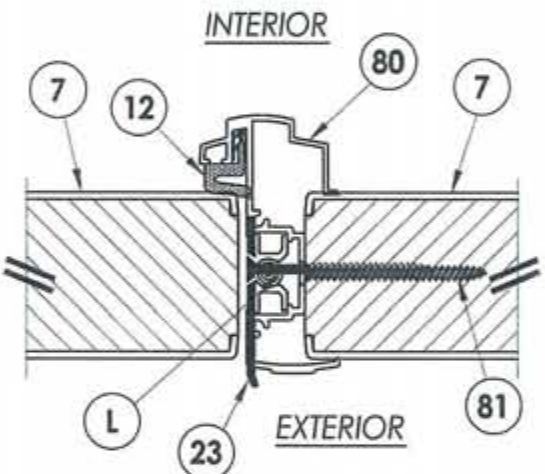
Documents Prepared By: Lyndon F. Schmidt, P.E.  
TEXAS P.E. #104123

**RW** BUILDING CONSULTANTS, INC.  
P.O. Box 230 Valrico FL 33595  
Phone No.: 813.659.9197

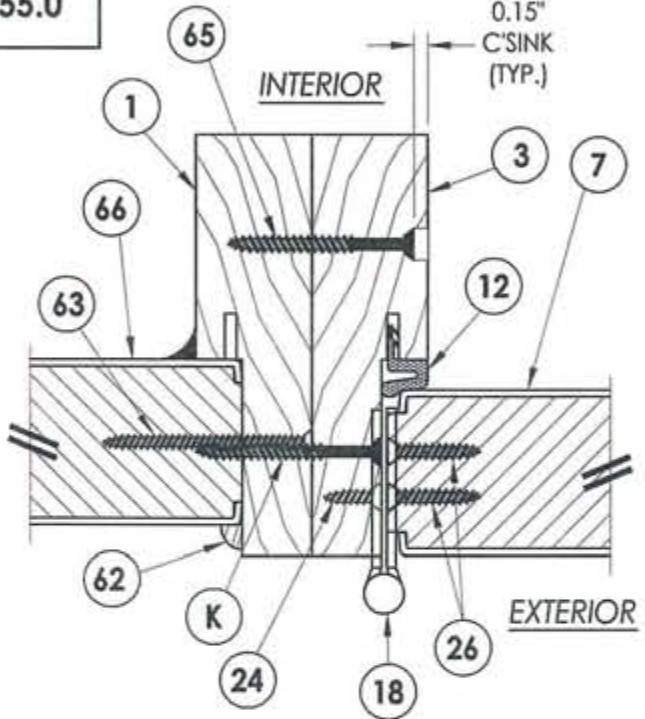
TEXAS BOARD OF PROFESSIONAL ENGINEERS  
CERTIFICATE OF REGISTRATION # F-11852

**NOTE:**

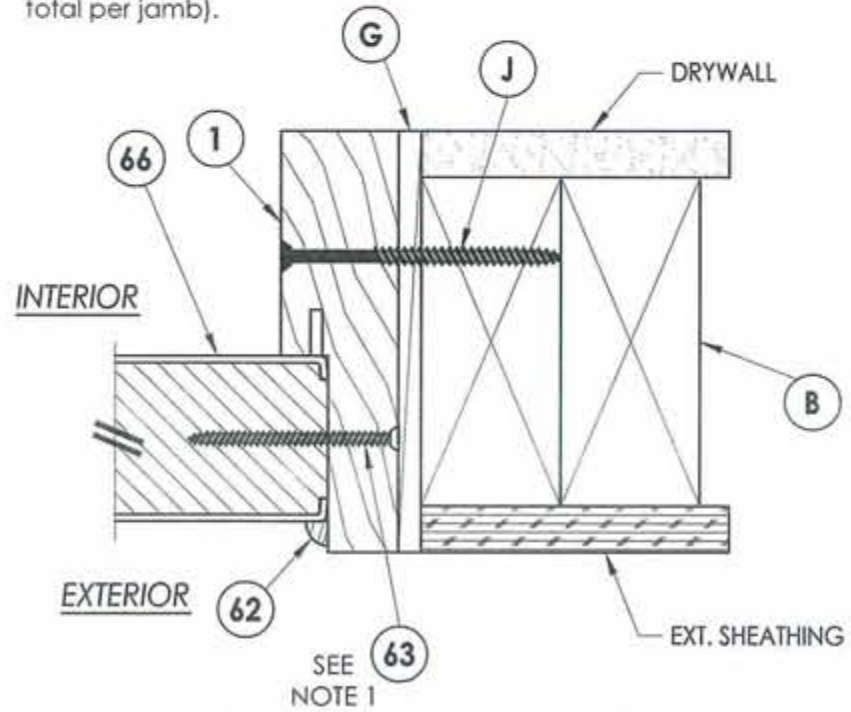
- Sidelite ass'y fastener: 6" from each end and 4 more screws equally spaced between (6 screws total per jamb).



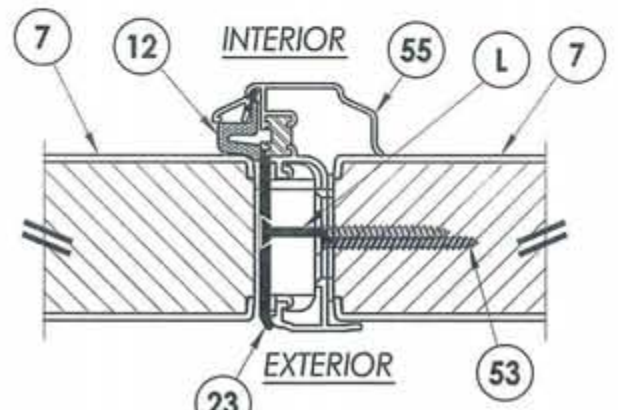
**5** HORIZONTAL CROSS SECTION  
**4** Columbia astragal



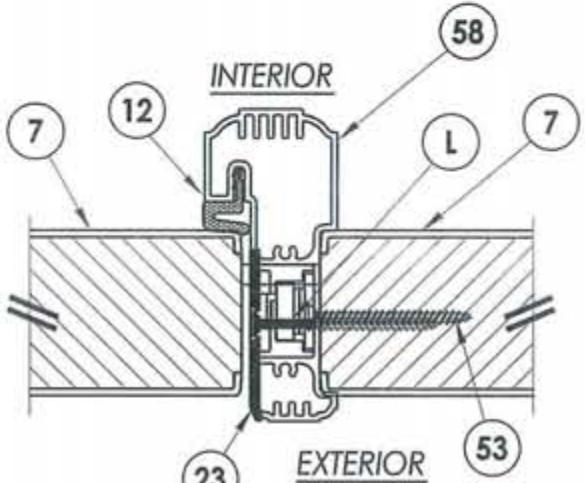
**6** HORIZONTAL CROSS SECTION  
**4** Outswing shown  
Inswing also approved



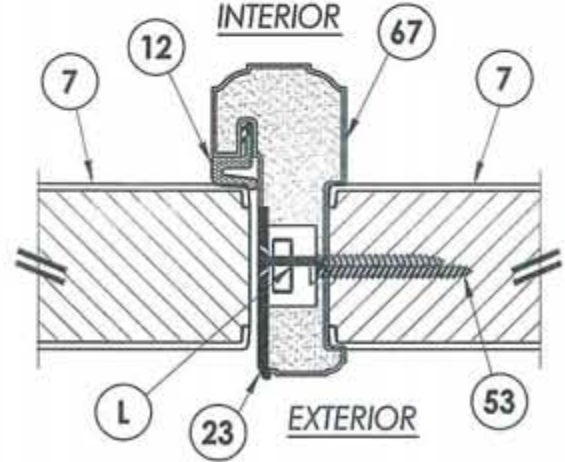
**1** HORIZONTAL CROSS SECTION  
**4** Outswing shown  
Inswing also approved



**2** HORIZONTAL CROSS SECTION  
**4** Endura astragal

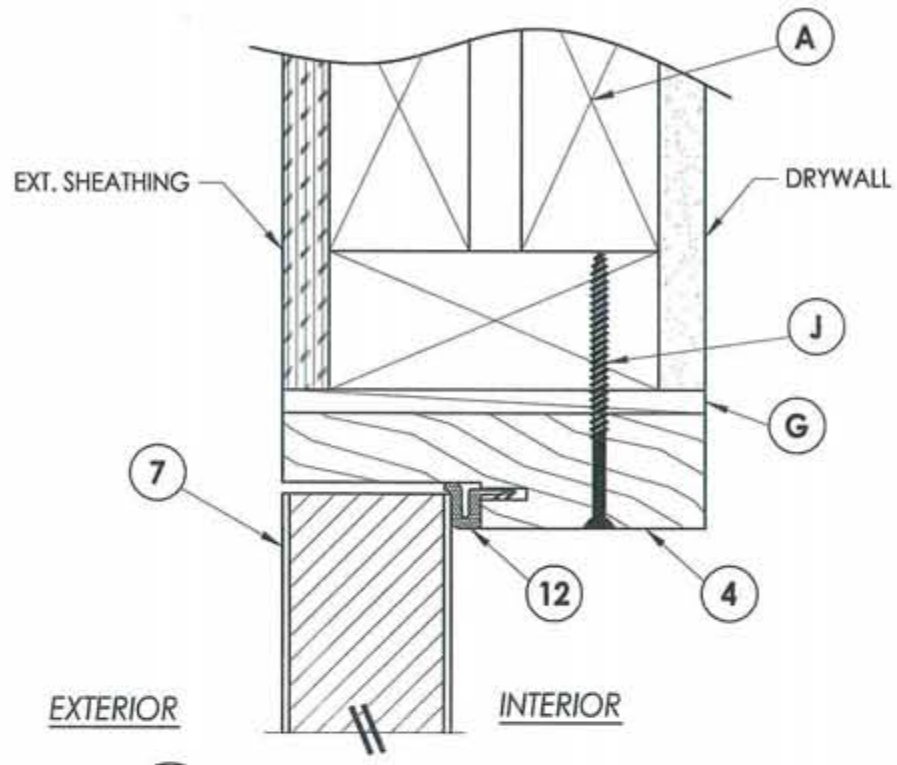


**3** HORIZONTAL CROSS SECTION  
**4** TRC astragal

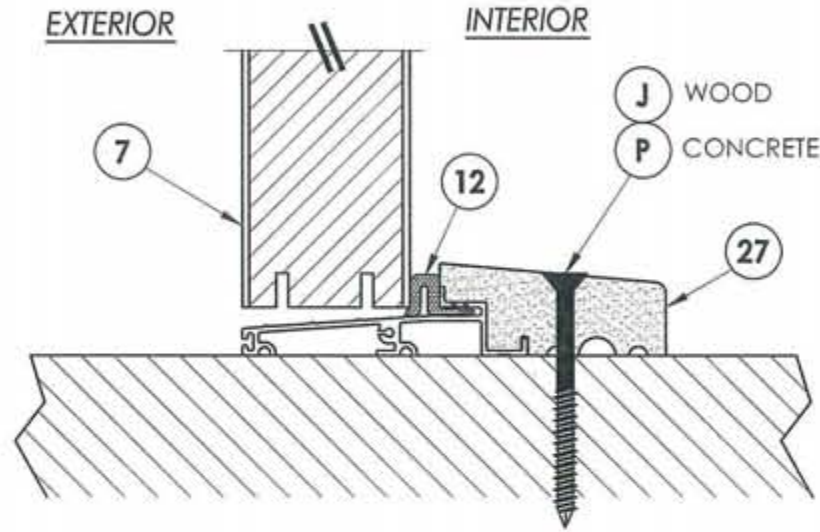


**4** HORIZONTAL CROSS SECTION  
**4** PVC astragal

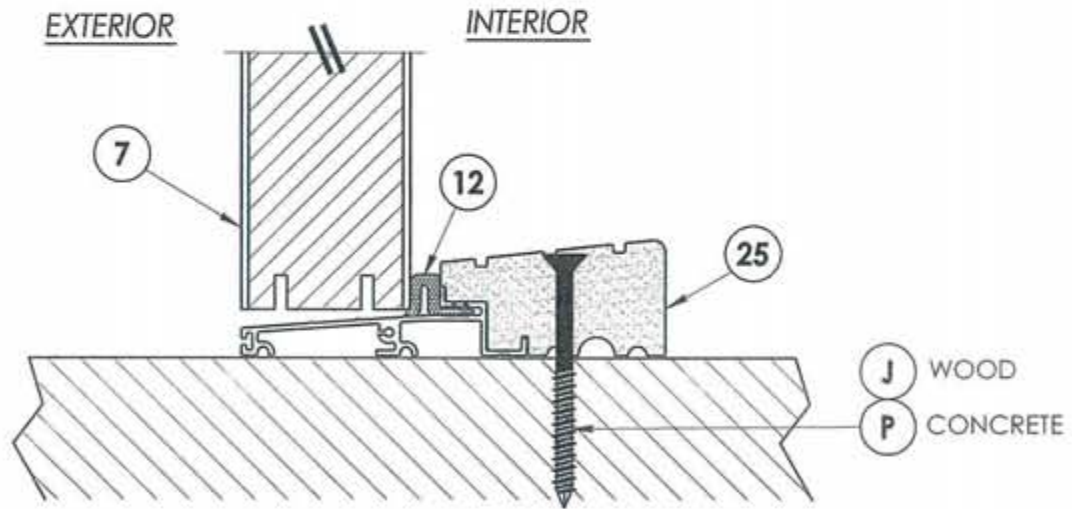
PRODUCT:	TRINITY GLASS INT'L PREMIUM LIPLITE FIBERGLASS	
PART OR ASSEMBLY:	HORIZONTAL CROSS SECTIONS	
NO.	DATE	BY
2	7/23/09	AL
1	6/28/06	EW
REVISIONS		
DATE:	8/26/05	
SCALE:	N.T.S.	
DWG. BY:	EW	
CHK. BY:	LFS	
DRAWING NO.:	TX-595	
SHEET	4	OF 13



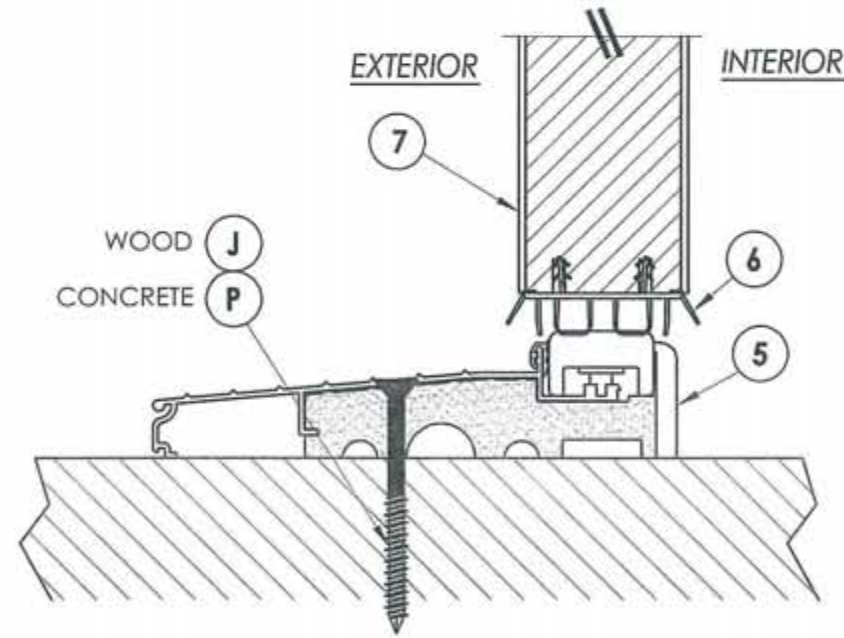
**1 VERTICAL CROSS SECTION**  
**5** Outswing shown  
 Inswing also approved



**2 VERTICAL CROSS SECTION**  
**5** Outswing configuration



**3 VERTICAL CROSS SECTION**  
**5** Outswing configuration



**4 VERTICAL CROSS SECTION**  
**5** Inswing configuration



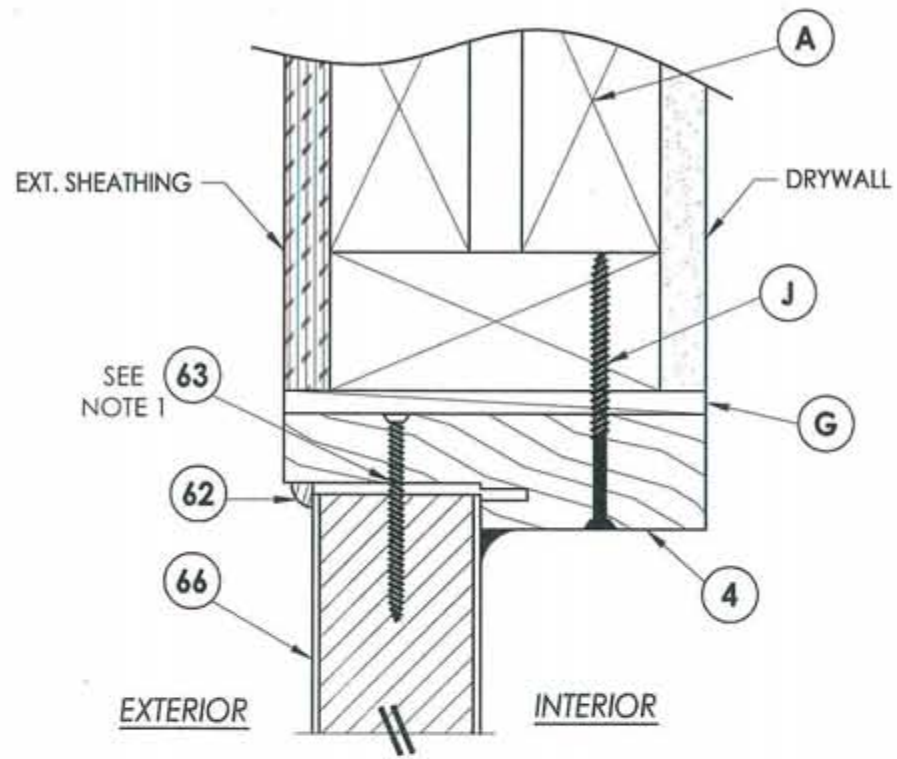
Documents Prepared By: Lyndon F. Schmidt, P.E.  
 TEXAS P.E. #104123

**RW** BUILDING CONSULTANTS, INC.  
 P.O. Box 230 Veirico FL 33595  
 Phone No.: 813.659.9197  
 TEXAS BOARD OF PROFESSIONAL ENGINEERS  
 CERTIFICATE OF REGISTRATION # F-11852

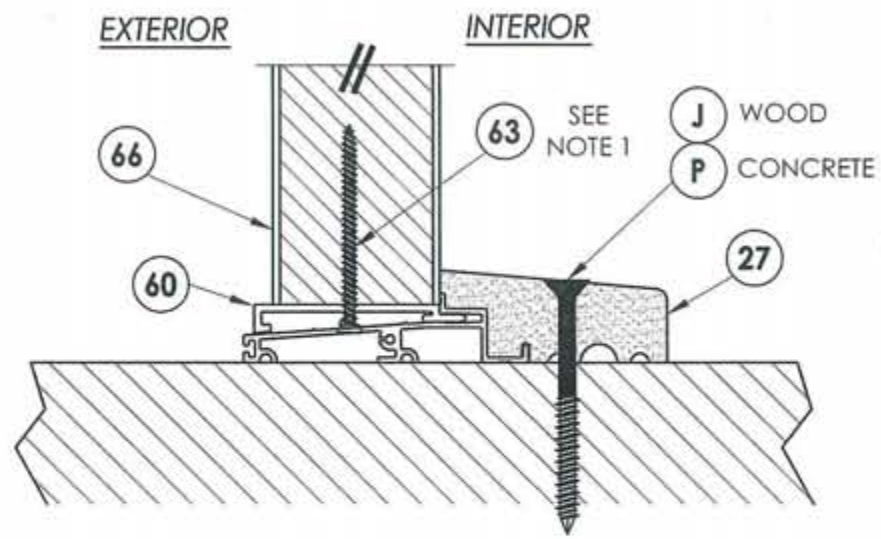
PRODUCT: TRINITY GLASS INT'L  
 PREMIUM LIPLITE FIBERGLASS  
 PART OR ASSEMBLY:  
 VERTICAL CROSS SECTIONS

NO.	DATE	REVISIONS
2	7/23/09	TDI PRODUCT EVALUATION UPDATE
1	6/28/06	REVISED LOCKSET NOMENCLATURE
		BY

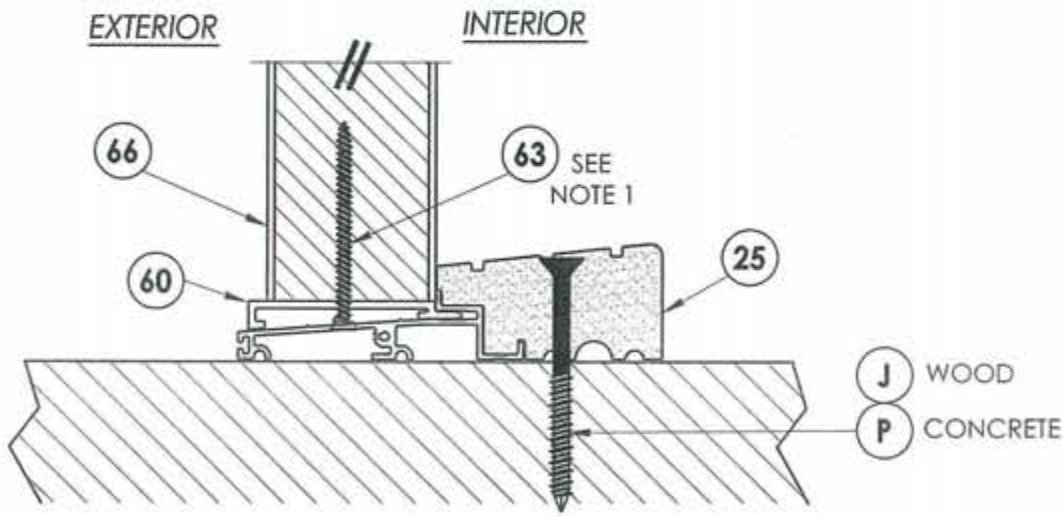
DATE: 8/26/05  
 SCALE: N.T.S.  
 DWG. BY: EW  
 CHK. BY: LFS  
 DRAWING NO.: TX-595  
 SHEET 5 OF 13



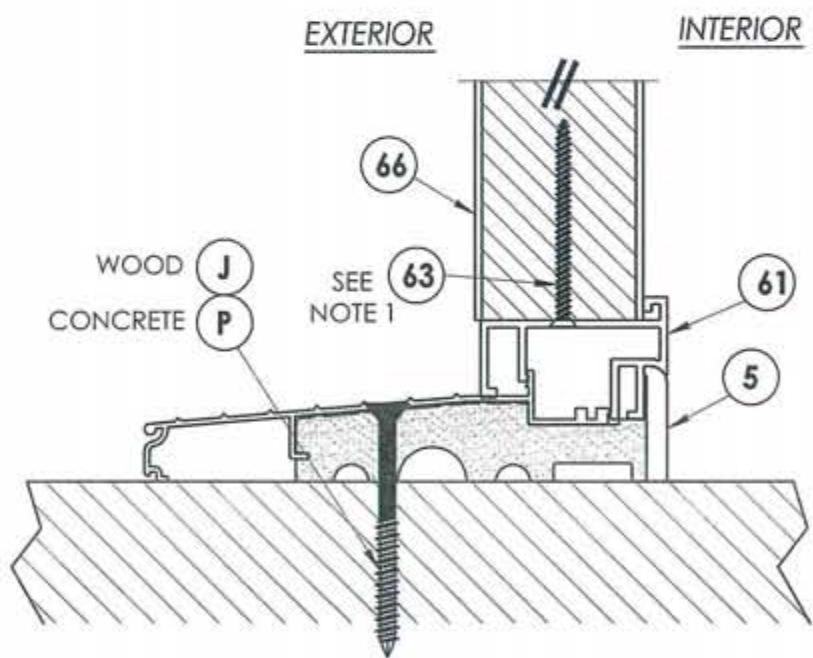
**1**  
**6** VERTICAL CROSS SECTION  
Outswing sill



**2**  
**6** VERTICAL CROSS SECTION  
Outswing sill



**3**  
**6** VERTICAL CROSS SECTION  
Outswing sill - high dam



**4**  
**6** VERTICAL CROSS SECTION  
Inswing sill

NOTE:  
1. Screws thru head and sill jamb located 3" from each end and on center line.



Documents Prepared By: Lyndon F. Schmidt, P.E.  
TEXAS P.E. #104123  
**RW** BUILDING CONSULTANTS, INC.  
P.O. Box 230 Volrico FL 33595  
Phone No.: 813.659.9197  
TEXAS BOARD OF PROFESSIONAL ENGINEERS  
CERTIFICATE OF REGISTRATION # F-11852

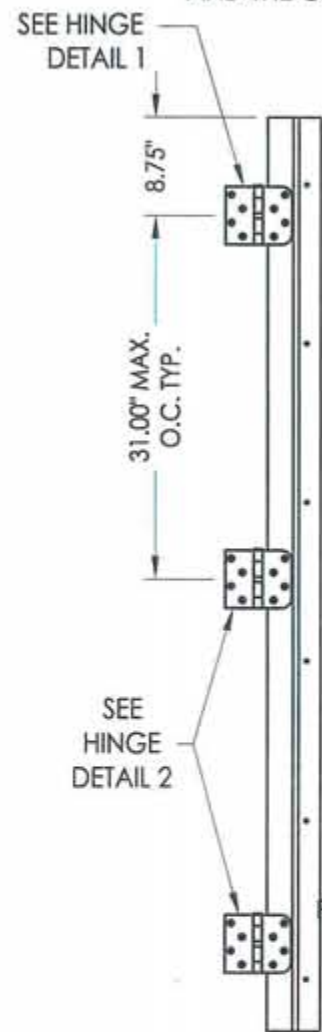
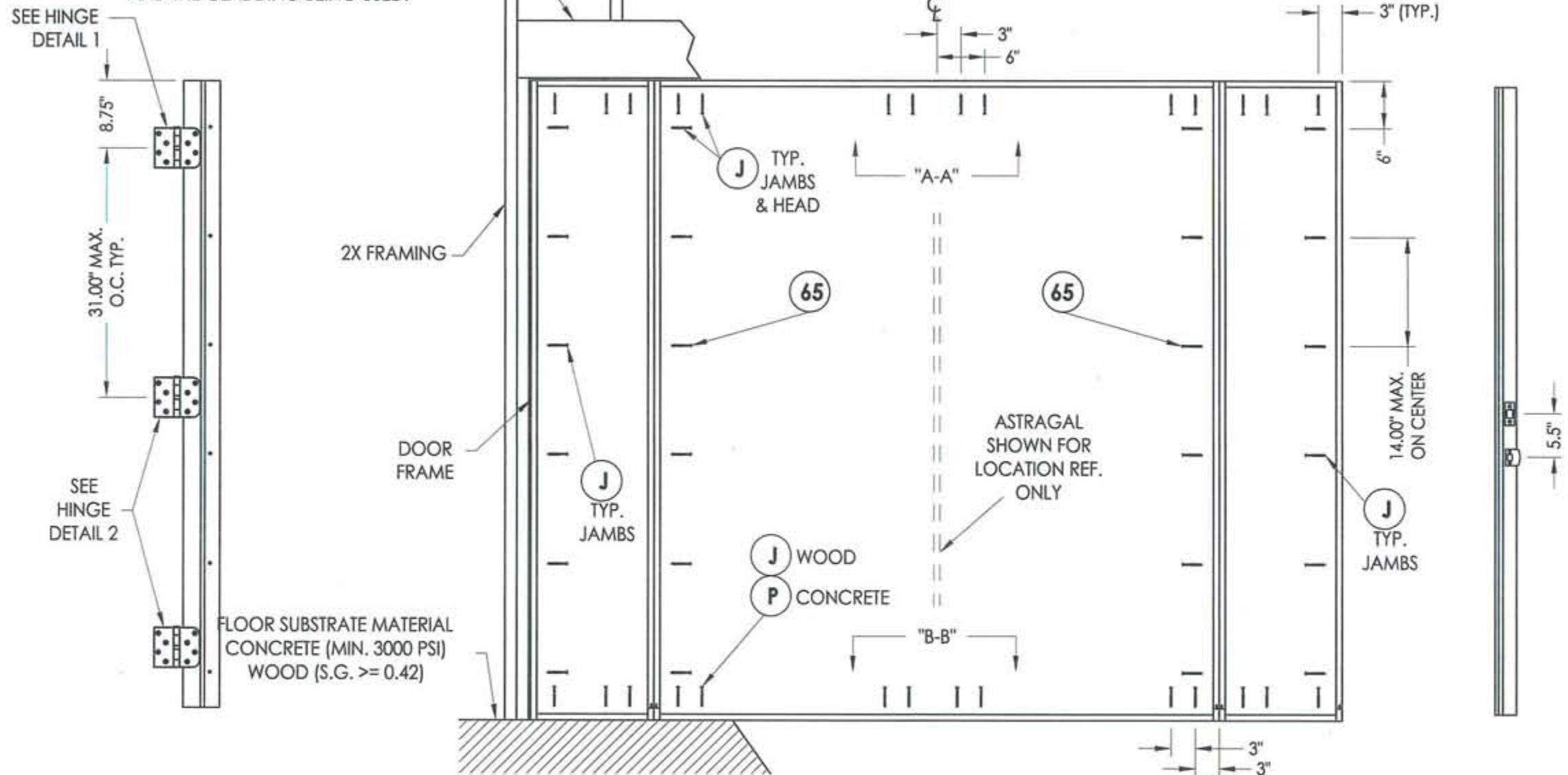
PRODUCT: TRINITY GLASS INT'L PREMIUM LIPLITE FIBERGLASS  
PART OR ASSEMBLY: VERTICAL CROSS SECTIONS

NO.	DATE	BY	REVISIONS
2	7/23/09	AL	TDI PRODUCT EVALUATION UPDATE
1	6/28/06	EW	REVISED LOCKSET NOMENCLATURE

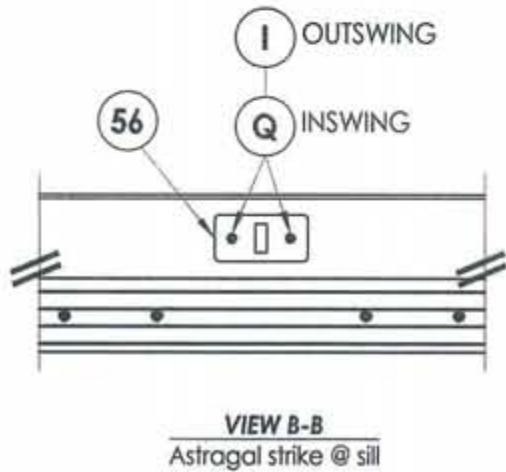
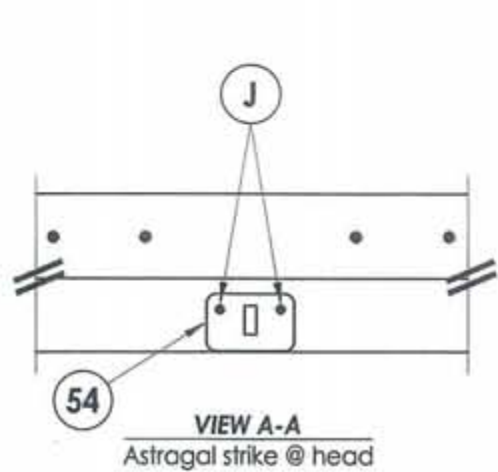
DATE: 8/26/05  
SCALE: N.T.S.  
DWG. BY: EW  
CHK. BY: LFS  
DRAWING NO.: TX-595  
SHEET 6 OF 13

R:\A - Projects\Project Folders\Proj 1101 - 1200\p1122\1D. RWBC Drawings\TX-595\TX-595.dwg, 7

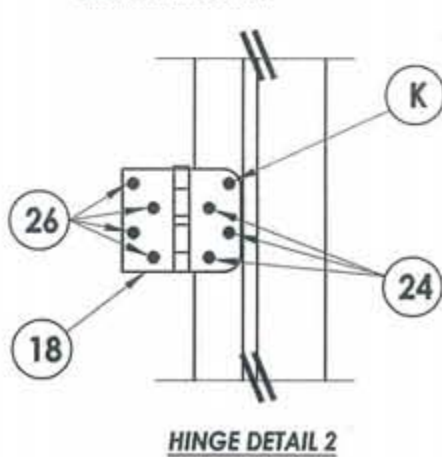
2X FRAMING TO BE DESIGNED BY THE ENGINEER OR ARCHITECT OF RECORD BASED ON WIND LOADS AND THE CLADDING BEING USED.



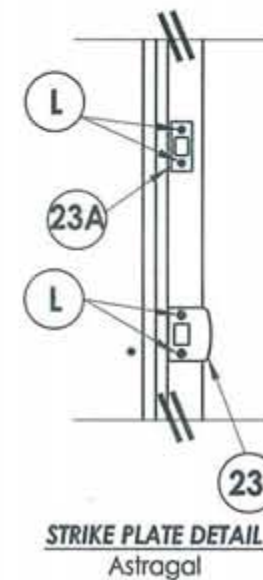
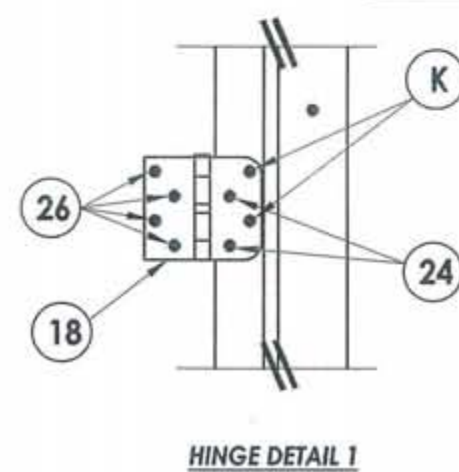
**HINGE JAMB**



**FRAME ANCHORING**  
Stud construction



**ASTRAGAL STRIKE**



Documents Prepared By: Lyndon F. Schmidt, P.E.  
TEXAS P.E. #104123

**RW** BUILDING CONSULTANTS, INC.  
P.O. Box 230 Valrico FL, 33595  
Phone No.: 813.659.9197

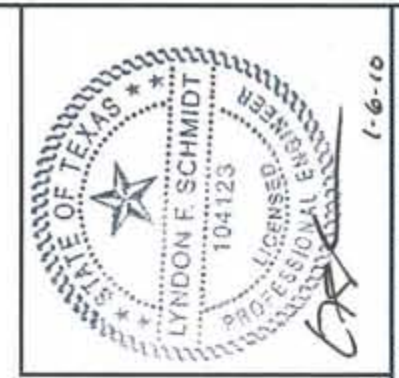
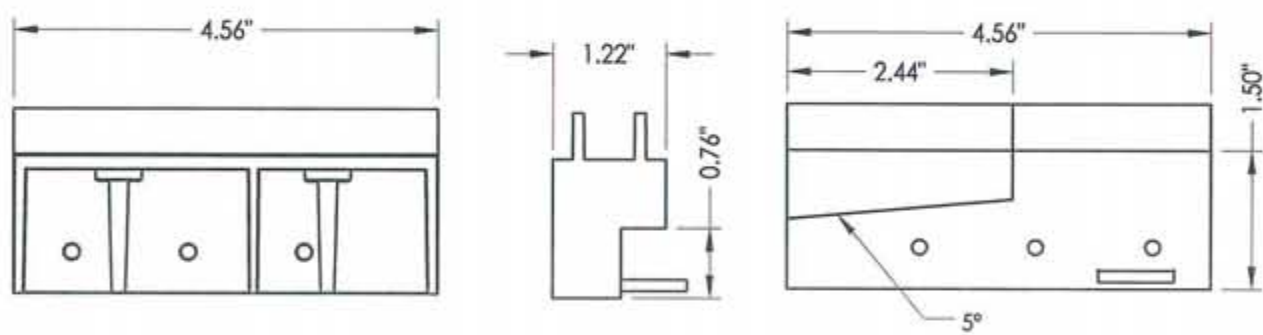
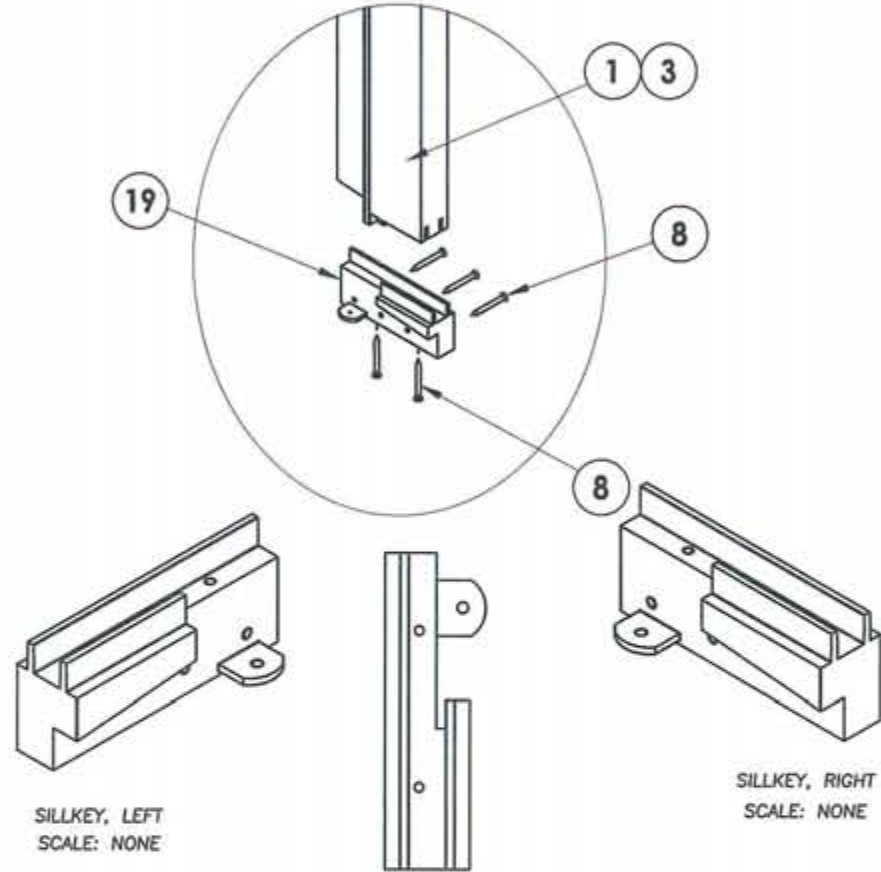
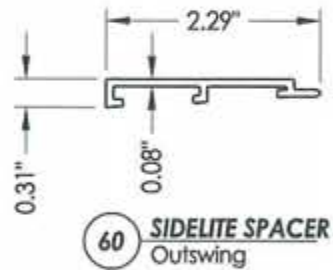
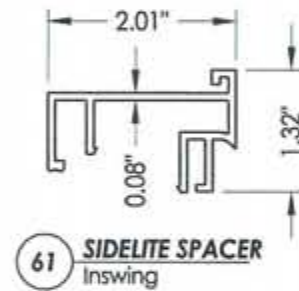
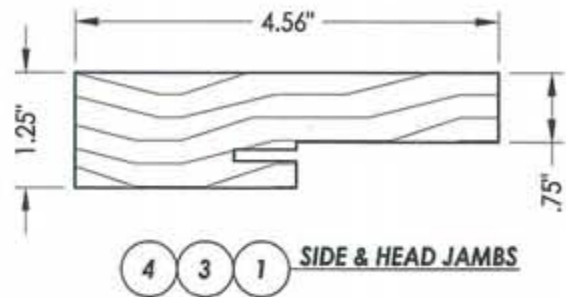
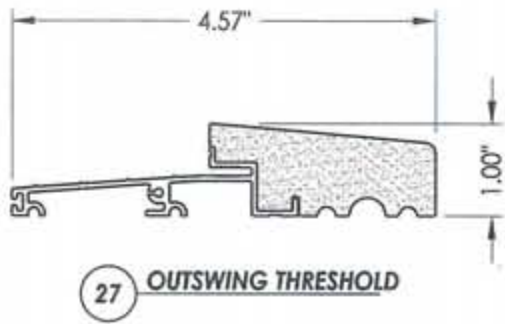
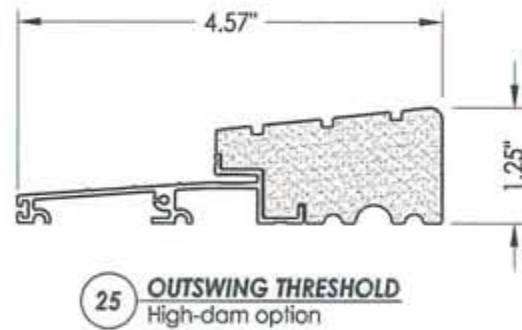
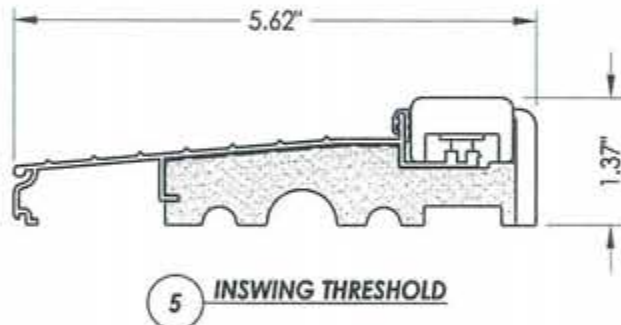
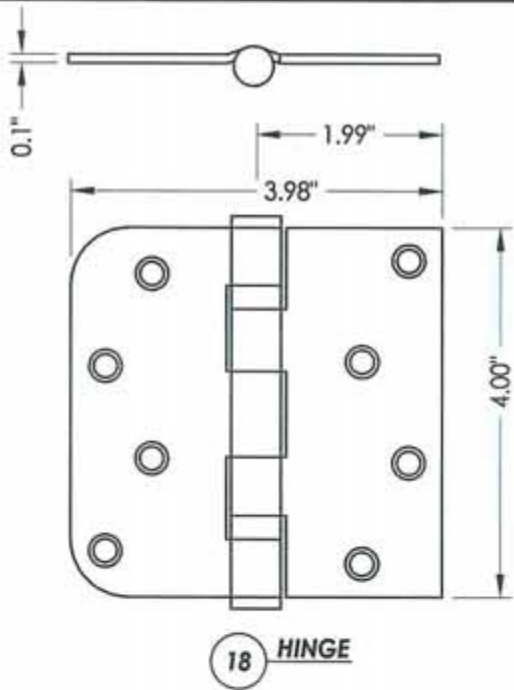
TEXAS BOARD OF PROFESSIONAL ENGINEERS  
CERTIFICATE OF REGISTRATION # F-11852

PRODUCT: TRINITY GLASS INT'L PREMIUM LIPLITE FIBERGLASS

PART OR ASSEMBLY: FRAME ANCHORING

NO.	DATE	REVISIONS
2	7/23/09	TDI PRODUCT EVALUATION UPDATE
1	6/28/06	REVISED LOCKSET NOMENCLATURE
		AL
		EW
		BY

DATE: 8/26/05  
SCALE: N.T.S.  
DWG. BY: EW  
CHK. BY: LFS  
DRAWING NO.: TX-595  
SHEET 7 OF 13



Documents Prepared By: Lyndon F. Schmidt, P.E.  
TEXAS P.E. #104123

**RW** BUILDING CONSULTANTS, INC.  
P.O. Box 230 Valrico FL 33595  
Phone No.: 813.659.9197

TEXAS BOARD OF PROFESSIONAL ENGINEERS  
CERTIFICATE OF REGISTRATION # F-11852

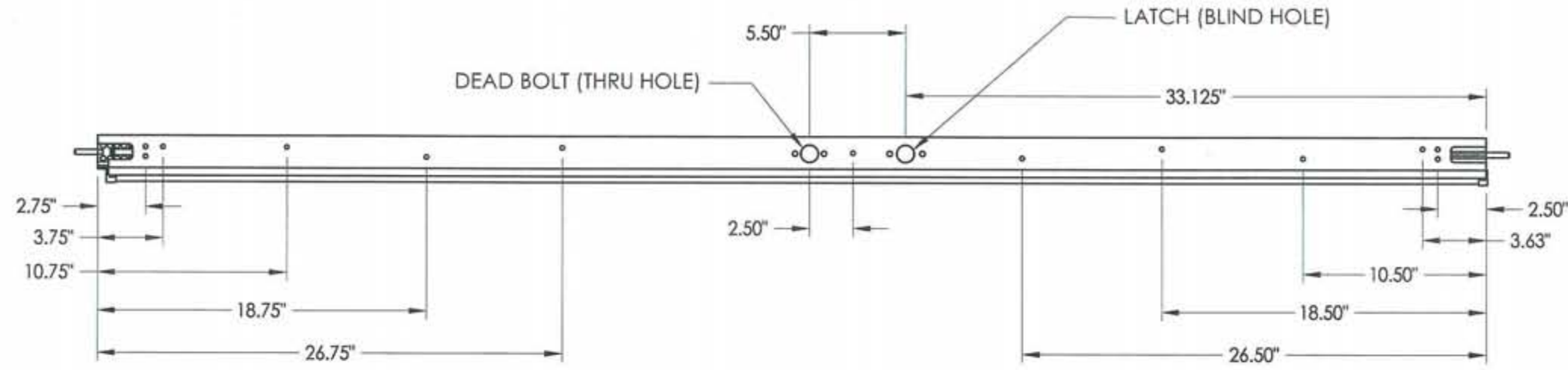
PRODUCT: TRINITY GLASS INT'L  
PREMIUM LIPLITE FIBERGLASS

PART OR ASSEMBLY: COMPONENTS

NO.	DATE	REVISIONS
2	7/23/09	TDI PRODUCT EVALUATION UPDATE
1	6/28/06	REVISED LOCKSET NOMENCLATURE
		EW
		BY

DATE: 8/26/05  
SCALE: N.T.S.  
DWG. BY: EW  
CHK. BY: LFS  
DRAWING NO.: TX-595  
SHEET 8 OF 13

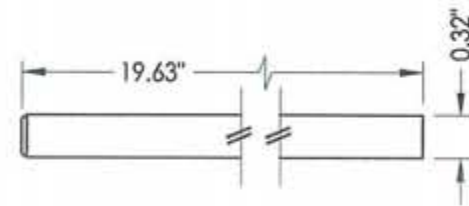




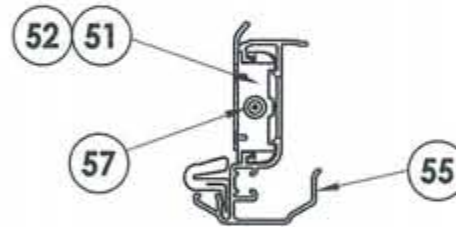
**6'8 ALUMINUM ASTRAGAL ASSEMBLY**  
By Endura Products

TOP

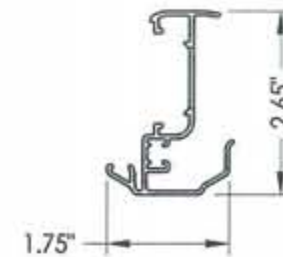
BOTTOM



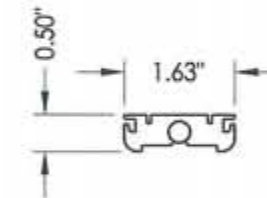
**57 SLIDE BOLT ROD**  
MATL: Steel



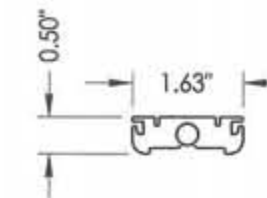
**VIEW A-A**  
Aluminum Astragal Assembly



**55 ALUMINUM ASTRAGAL**  
By Endura Products



**52 TOP BOLT RETAINER**  
MATL: 9-3/4" Long Aluminum



**51 TOP BOLT RETAINER**  
MATL: 4-3/4" Long HDPE



Documents Prepared By: Lyndon F. Schmidt, P.E.  
TEXAS P.E. #104123

**RW** BUILDING CONSULTANTS, INC.  
P.O. Box 230 Valrico FL, 33595  
Phone No.: 813.659.9197

TEXAS BOARD OF PROFESSIONAL ENGINEERS  
CERTIFICATE OF REGISTRATION # F-11852

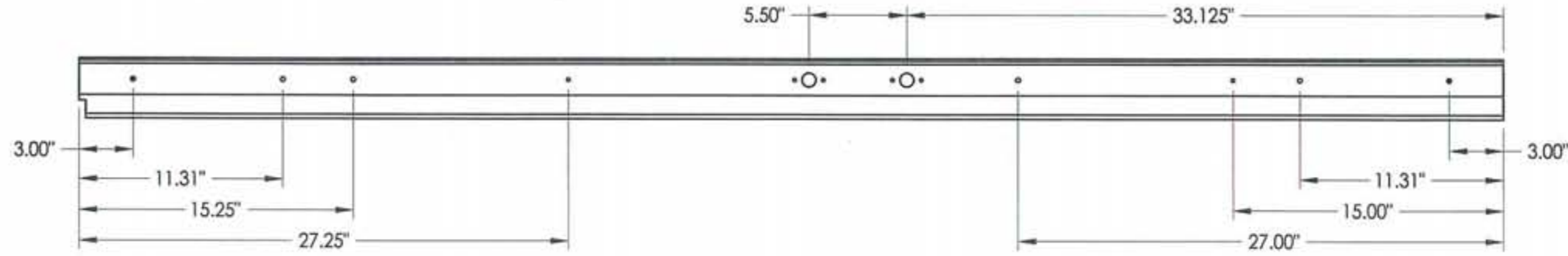
PRODUCT: TRINITY GLASS INT'L  
PREMIUM LIPLITE FIBERGLASS

PART OR ASSEMBLY:  
ENDURA ASTRAGAL DETAILS

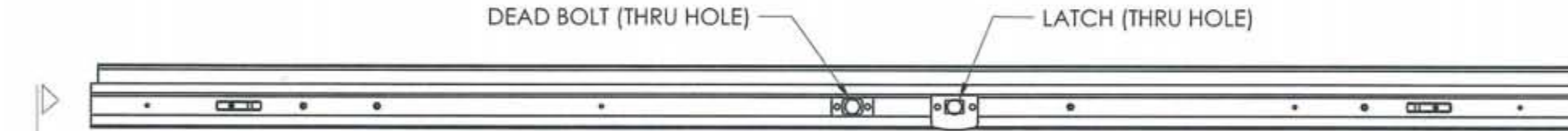
NO.	DATE	REVISIONS	BY
2	7/23/09	TDI PRODUCT EVALUATION UPDATE	AL
1	6/28/06	REVISED LOCKSET NOMENCLATURE	EW

DATE: 8/26/05  
SCALE: N.T.S.  
DWG. BY: EW  
CHK. BY: LFS  
DRAWING NO.: TX-595  
SHEET 9 of 13

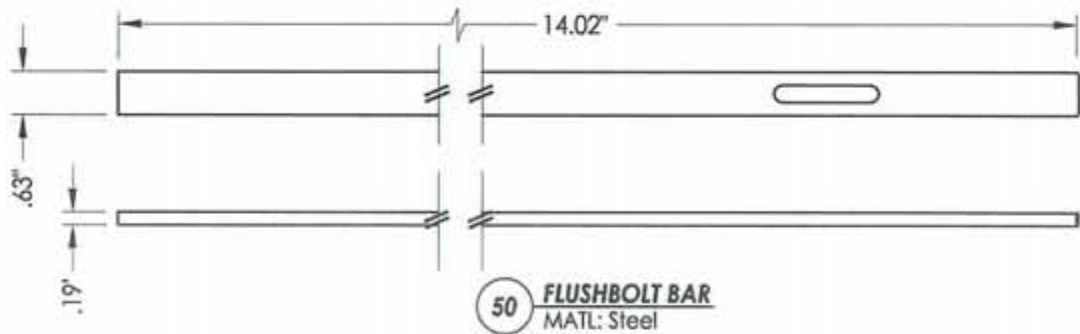
TOP



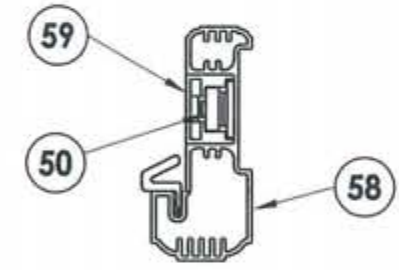
BOTTOM



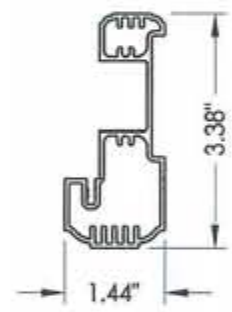
**6'8 ALUMINUM ASTRAGAL ASSEMBLY**  
By Trinity



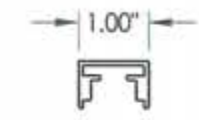
**50 FLUSHBOLT BAR**  
MATL: Steel



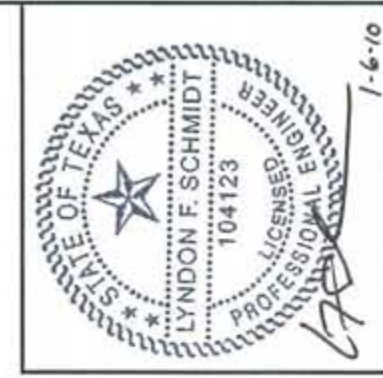
**VIEW B-B**  
Aluminum Astragal Assembly



**58 TRC ALUMINUM ASTRAGAL**  
By Trinity



**59 TRC ASTRAGAL CHANNEL**  
By Trinity



Documents Prepared By: Lyndon F. Schmidt, P.E.  
TEXAS P.E. #104123

**RW** BUILDING CONSULTANTS, INC.  
P.O. Box 230 Valrico FL, 33595  
Phone No.: 813.659.9197

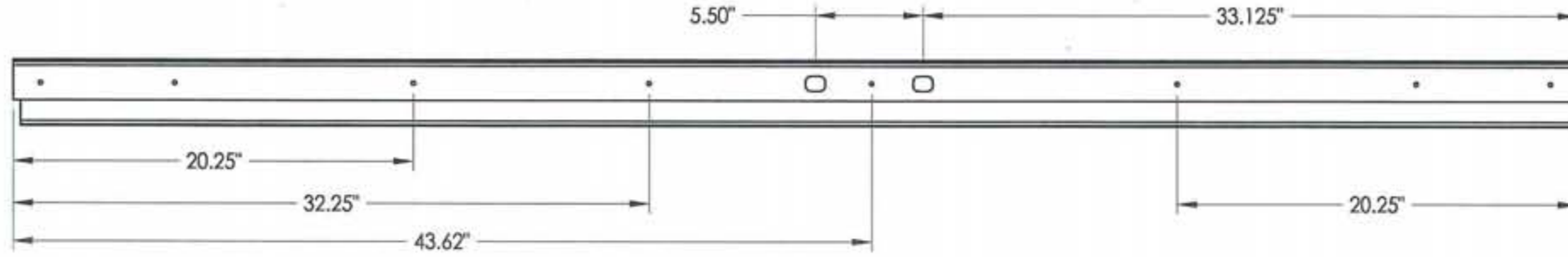
TEXAS BOARD OF PROFESSIONAL ENGINEERS  
CERTIFICATE OF REGISTRATION # F-11852

PRODUCT: TRINITY GLASS INT'L PREMIUM LIPLITE FIBERGLASS  
PART OR ASSEMBLY: TRINITY ASTRAGAL DETAILS

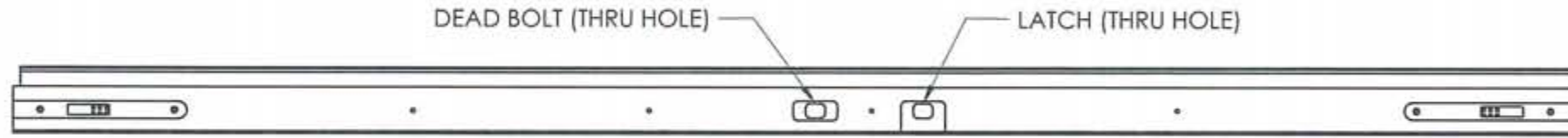
NO.	DATE	REVISIONS
2	7/23/09	TDI PRODUCT EVALUATION UPDATE
1	6/28/06	REVISED LOCKSET NOMENCLATURE
		AL
		EW
		BY

DATE: 8/26/05  
SCALE: N.T.S.  
DWG. BY: EW  
CHK. BY: LFS  
DRAWING NO.: TX-595  
SHEET 10 of 13

TOP

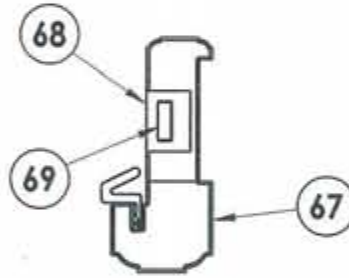


BOTTOM

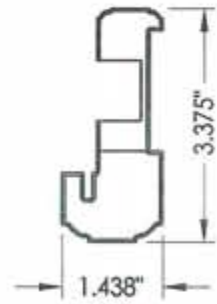


**6'8 PVC ASTRAGAL ASSEMBLY**  
By Trinity

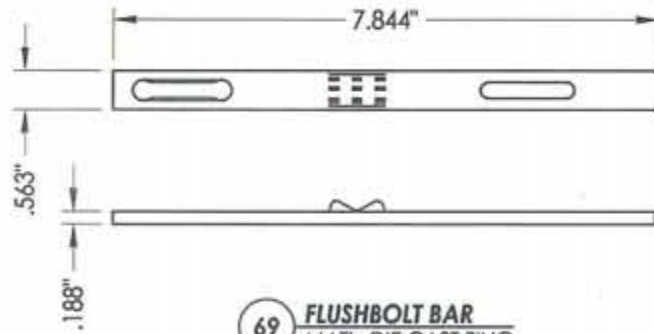
C-C



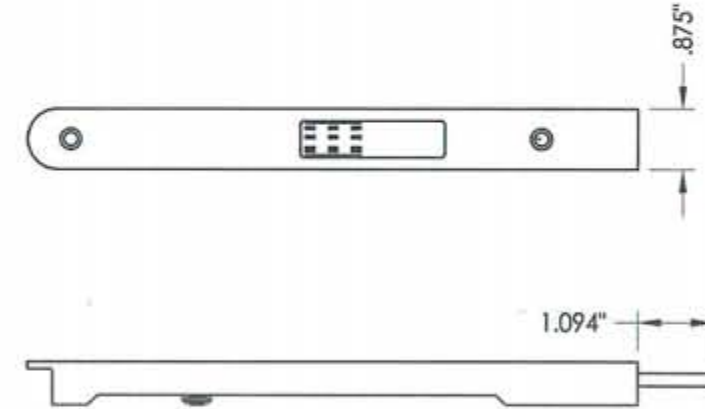
**VIEW C-C**  
PVC ASTRAGAL ASSEMBLY



**67 PVC ASTRAGAL**  
BY Trinity



**69 FLUSHBOLT BAR**  
MATL: DIE CAST ZINC



**68 FLUSHBOLT**  
MATL: 8.75" DIE CAST ZINC



1.6/10  
 Documents Prepared By: Lyndon F. Schmidt, P.E.  
 TEXAS P.E. #104123  
**RW** BUILDING CONSULTANTS, INC.  
 P.O. Box 230 Valrico FL 33595  
 Phone No.: 813.659.9197  
 TEXAS BOARD OF PROFESSIONAL ENGINEERS  
 CERTIFICATE OF REGISTRATION # F-11852

PRODUCT:  
 TRINITY GLASS INT'L  
 PREMIUM LIPLITE FIBERGLASS

PART OR ASSEMBLY:  
 PVC ASTRAGAL DETAILS

NO.	DATE	REVISIONS
2	7/23/09	TDI PRODUCT EVALUATION UPDATE
1	6/28/06	REVISED LOCKSET NOMENCLATURE
		AL
		EW
		BY

DATE: 8/26/05  
 SCALE: N.T.S.  
 DWG. BY: EW  
 CHK. BY: LFS  
 DRAWING NO.: TX-595  
 SHEET 11 OF 13

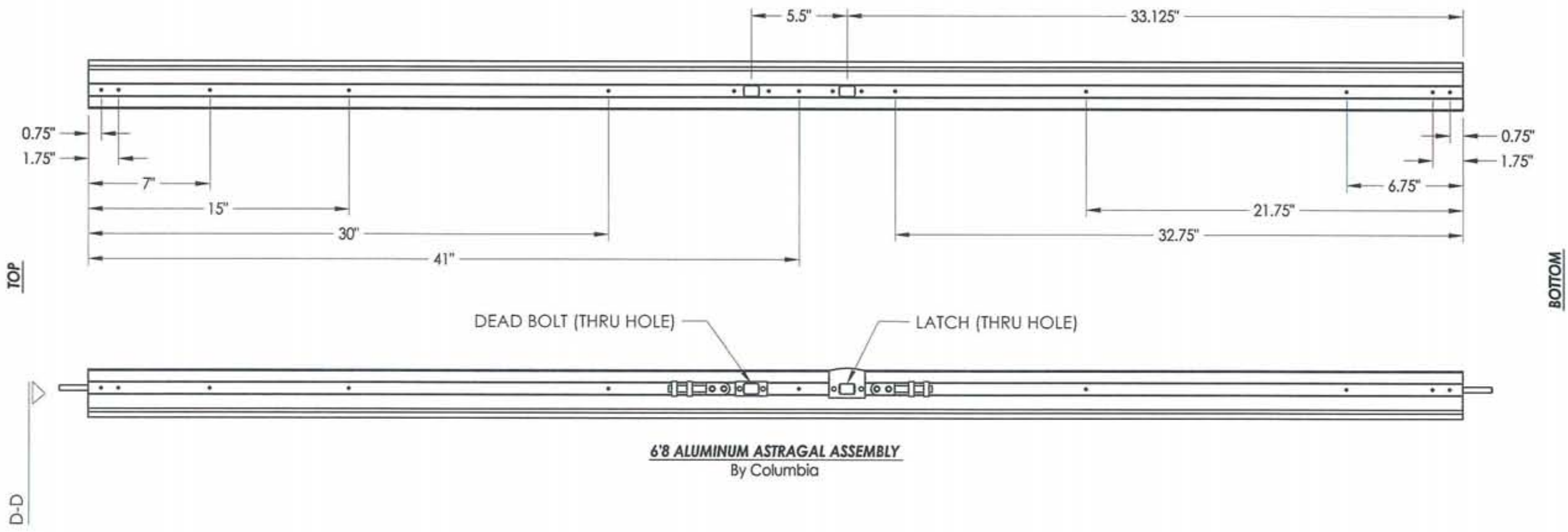
R:\A - Projects\Project Folders\Proj 1101 - 1200\pf1122\1.D. RWBC Drawings\TX-595\TX-595.dwg, 12



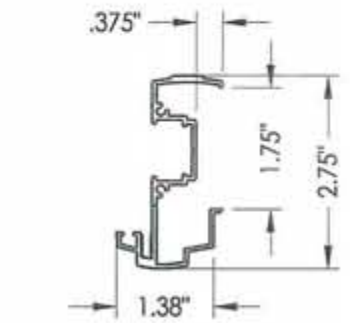
Documents Prepared By: Lyndon F. Schmidt, P.E.  
 TEXAS P.E. #104123

**RW** BUILDING CONSULTANTS, INC.  
 P.O. Box 230 Valrico FL, 33595  
 Phone No.: 813.659.9197

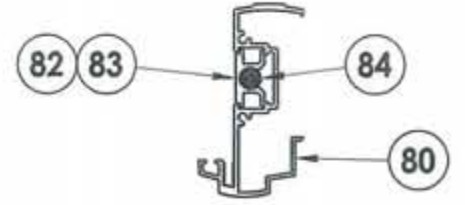
TEXAS BOARD OF PROFESSIONAL ENGINEERS  
 CERTIFICATE OF REGISTRATION # F-11852



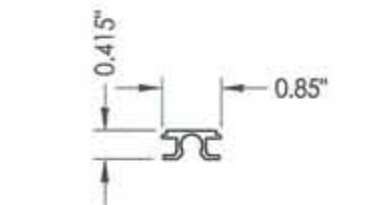
**6'8 ALUMINUM ASTRAGAL ASSEMBLY**  
 By Columbia



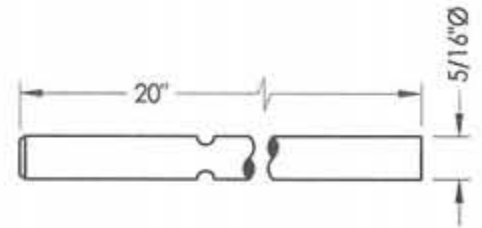
**80 ALUMINUM ASTRAGAL**  
 BY Columbia



**VIEW D-D**  
 Aluminum Astragal Assembly



**82 83 FLUSHBOLT RETAINER**  
 Top / bottom  
 Aluminum 6063-T5



**84 FLUSHBOLT ROD**  
 Steel

PRODUCT:	TRINITY GLASS INT'L PREMIUM LIPLITE FIBERGLASS
PART OR ASSEMBLY:	COLUMBIA ASTRAGAL DETAILS

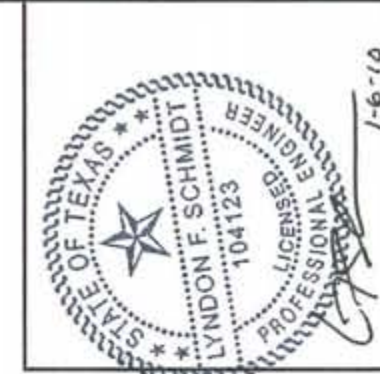
NO.	DATE	REVISIONS	BY
2	7/23/09	TDI PRODUCT EVALUATION UPDATE	AL
1	6/28/06	REVISED LOCKSET NOMENCLATURE	EW

DATE:	8/26/05
SCALE:	N.T.S.
DWG. BY:	EW
CHK. BY:	LFS
DRAWING NO.:	TX-595
SHEET	12 of 13

**CONCRETE ANCHOR NOTES:**

1. Substitution of equal concrete anchors from a different supplier may have different edge distance and center distance requirements.
2. Concrete anchor locations at the corners may be adjusted to maintain the min. edge distance to mortar joints. If concrete anchor locations noted as "MAX. ON CENTER" must be adjusted to maintain the min. edge distance to mortar joints, additional concrete anchors may be required to ensure the "MAX. ON CENTER" dimensions are not exceeded.
3. Concrete anchor table:

ANCHOR TYPE	ANCHOR SIZE	MIN. EMBEDMENT	MIN. CLEARANCE TO MASONRY EDGE	MIN. CLEARANCE TO ADJACENT ANCHOR
ITW	3/16"	1-3/4"	2-5/8"	2-1/4"
ELCO	3/16"	1-3/4"	1"	3"



Documents Prepared By: Lyndon F. Schmidt, P.E.  
TEXAS P.E. #104123

**RW** BUILDING CONSULTANTS, INC.  
P.O. Box 230 Valrico FL 33595  
Phone No.: 813.659.9197

TEXAS BOARD OF PROFESSIONAL ENGINEERS  
CERTIFICATE OF REGISTRATION # F-11852

**BILL OF MATERIALS**

ITEM	DESCRIPTION	MATERIAL	ITEM	DESCRIPTION	MATERIAL
A	2X HEADER FRAMING SG >= 0.42	WOOD	40	#8 X 1-1/8" SELF THREADING SCREW	STEEL
B	2X FRAMING SG >= 0.42	WOOD	42	ALUMINUM & BUTYL SPACER SYSTEM	ALUM./BUTYL
G	MAX. 1/4" SHIM SPACE	WOOD	44	HOT MELT SEALANT / SILICONE	-
I	3/16" X 2-1/4" ITW PFH CONCRETE SCREW	STEEL	45	LITE FRAME	PC/ASA
J	#10 X 3" PFH WS	STEEL	46	FOAM CORE	POLYURETHANE
K	#9 X 2" PFH WS	STEEL	50	FLUSHBOLT BAR	STEEL
L	#8 X 2-1/2" PFH WS	STEEL	51	4-3/4" LENGTH TOP BOLT RETAINER	HDPE
P	3/16" X 2-3/4" ELCO OR ITW PFH CONCRETE SCREW	STEEL	52	9-3/4" LENGTH TOP BOLT RETAINER	ALUMINUM
Q	3/16" X 3-1/4" ITW CONCRETE SCREW	STEEL	53	#8 X 1-3/4" FPH SMS	STEEL
1	SIDELITE JAMB - FINGER-JOINT PINE - SG >= 0.42	WOOD	54	ASTRAGAL STRIKE @ HEAD	STEEL
3	HINGE JAMB - FINGER-JOINT PINE - SG >= 0.42	WOOD	55	ASTRAGAL BY ENDURA PRODUCT	ALUMINUM
4	HEAD - FINGER-JOINT PINE - SG >= 0.42	WOOD	56	ASTRAGAL STRIKE @ SILL	STEEL
5	INSWING THRESHOLD ALUMINUM W/ COMPOSITE SUBSTRATE	ALUMINUM	57	SLIDE BOLT ROD	STEEL
6	DOOR BOTTOM SWEEP	PVC	58	ASTRAGAL BY TRC	ALUMINUM
7	DOOR PANEL - SEE DOOR PANEL DETAIL SHEET FOR CONSTRUCTION DETAILS	-	59	ASTRAGAL CHANNEL BY TRC	ALUMINUM
8	#6 X 1-1/4" PFH DRYWALL SCREW	STEEL	60	SIDELITE SPACER - OUTSWING	PVC
12	WEATHER STRIP QEBD650 Q-LON	-	61	SIDELITE SPACER - INSWING	PVC
18	3.983" X 4.0" HINGE MIN 0.098" THICK	STEEL	62	QUARTER ROUND	WOOD
19	SILLKEY	PC/ASA	63	#8 X 2-1/4" PFH SCREW	STEEL
21	LOCK (SEE LOCK & DEADBOLT RATINGS CHART)	STEEL	65	#10 X 2" PFH SCREW	STEEL
22	DEADBOLT (SEE LOCK & DEADBOLT RATINGS CHART)	STEEL	66	SIDELITE PANEL - SEE SIDELITE PANEL DETAIL SHEET FOR CONSTRUCTION DETAILS	-
23	STRIKE PLATE	STEEL	67	PVC ASTRAGAL BY TRC	PVC
23A	DEADBOLT PLATE	STEEL	68	ASTRAGAL CHANNEL BY TRC	DIE CAST ZINC
24	#9 X 5/8" PFH SCREW	STEEL	69	#8 X 2" PFH SCREW	DIE CAST ZINC
25	OUTSWING HIGH-DAM THRESHOLD ALUMINUM W/ COMPOSITE SUBSTRATE	ALUM./COMP.	73	LVL SIDELITE TOP RAIL (FULL LITE)	POPLAR
26	#9 X 1" PFH SCREW	STEEL	74	LVL SIDELITE BOTTOM RAIL (FULL LITE)	POPLAR
27	OUTSWING THRESHOLD ALUMINUM W/ COMPOSITE SUBSTRATE	ALUM./COMP.	75	LVL SIDELITE STILE (FULL LITE)	POPLAR
30	LATCH STILE - SG >= 0.42	LVL/PVC	80	EXTRUDED ALUMINUM ASTRAGAL BY COLUMBIA ALUM. PROD.	ALUMINUM
31	LVL LOCK BLOCK	POPLAR	81	#8 X 2-1/2" PFH WS	STEEL
32	HINGE STILE - SG >= 0.42	LVL/PVC	82	TOP FLUSHBOLT RETAINER 6063-T5	ALUM./STEEL
33	TOP RAIL - POPLAR LVL & WPC COMBINATION	POPLAR/WPC	83	BOTTOM FLUSHBOLT RETAINER 6063-T5	ALUM./STEEL
34	BOTTOM RAIL - POPLAR LVL & WPC COMBINATION	POPLAR/WPC	84	5/16"Ø X 20" LONG FLUSHBOLT ROD	STEEL
39	FIBERGLASS SKIN 0.079" MIN. THICKNESS (Fy = 5,203 PSI MIN.)	FIBERGLASS			

PRODUCT: TRINITY GLASS INT'L  
PREMIUM LITE FIBERGLASS

PART OR ASSEMBLY:  
BILL OF MATERIALS

NO.	DATE	REVISIONS
2	7/23/09	TDI PRODUCT EVALUATION UPDATE
1	6/28/06	REVISED LOCKSET NOMENCLATURE

DATE: 8/26/05  
SCALE: N.T.S.  
DWG. BY: EW  
CHK. BY: LFS  
DRAWING NO.: TX-595  
SHEET 13 of 13