

**3'0 X 6'8**  
**GLAZED PREMIUM FIBERGLASS**  
**SINGLE DOOR WITH SIDELITES (BOXED)**  
**IN SWING / OUT SWING**  
**"NON-IMPACT"**

**EVALUATED FOR USE IN THE STATE OF TEXAS**

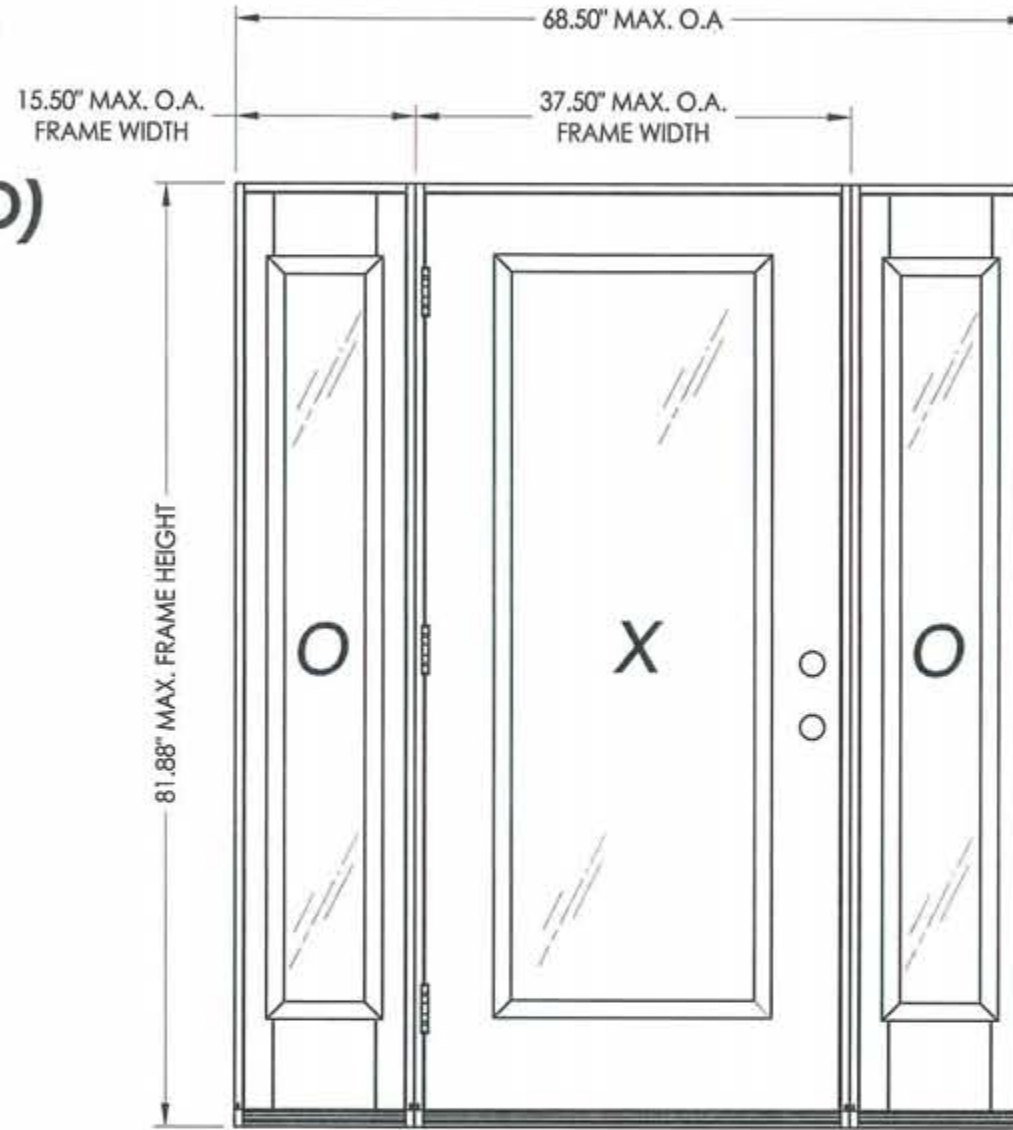
The Trinity Glazed Premium Fiberglass Door with boxed sidelites described herein complies with the 2006 International Residential Code (IRC), Sections R301 & R613 and the 2006 International Building Code (IBC), Sections 1405.12, 1609, 1714.5, 2403 and 2404 (including Texas revisions) subject to the following conditions:

1. Anchors shall be as listed and spaced as shown in the details. Anchor embedment to base material shall be beyond wall dressing or stucco.
2. When used in areas requiring wind-borne debris protection this product is required to be protected with an impact resistant covering that complies with Section R301.2.1.2 of the IRC and Section 1609.1.2 of the IBC.
3. Allowable design pressure requirements must be equal to or less than the design pressure rating shown in the design pressure chart, sheet 1 of this drawing.
4. Conditions not covered by this drawing are subject to further engineering analysis.

**SUPPORTING DOCUMENTS & EVIDENCE**

1. Testing per ASTM E330-02 as performed by Testing Evaluation Laboratories Inc. and reported in test report numbers TEL 08-01370020, TEL 05-0411-6 and TEL 06-0223-3, signed by Wendell W. Haney, P.E.
2. Calculations (Anchoring and Glass load resistance report ASTM E1300-04) prepared by Lyndon F. Schmidt, P.E.
3. Certificate of Participation issued by the National Accreditation and Management Institute, Inc., certifying that Trinity Glass Int'l is manufacturing products within a Quality Assurance program.

| TABLE OF CONTENTS |   |
|-------------------|---|
| SHEET #           | DESCRIPTION   |
| 1                 | Typical elevations, design pressures & general notes  |
| 2                 | Door panel construction details & glazing details     |
| 3                 | Sidelite panel construction details & glazing details |
| 4                 | Horizontal cross sections                             |
| 5                 | Vertical cross sections                               |
| 6                 | Vertical cross sections                               |
| 7                 | Frame anchoring                                       |
| 8                 | Components  |
| 9                 | Bill of materials                                     |



**SINGLE with BOXED SIDELITES**

| SWING     | MAX. FRAME DIMENSION | GLASS TYPE | DESIGN PRESSURE (PSF) |          |
|-----------|----------------------|------------|-----------------------|----------|
|           |                      |            | POSITIVE              | NEGATIVE |
| IN SWING  | 68.50" x 81.88"      | G1         | +55.0                 | -55.0    |
| OUT SWING | 68.50" x 80.75"      |            | +55.0                 | -55.0    |



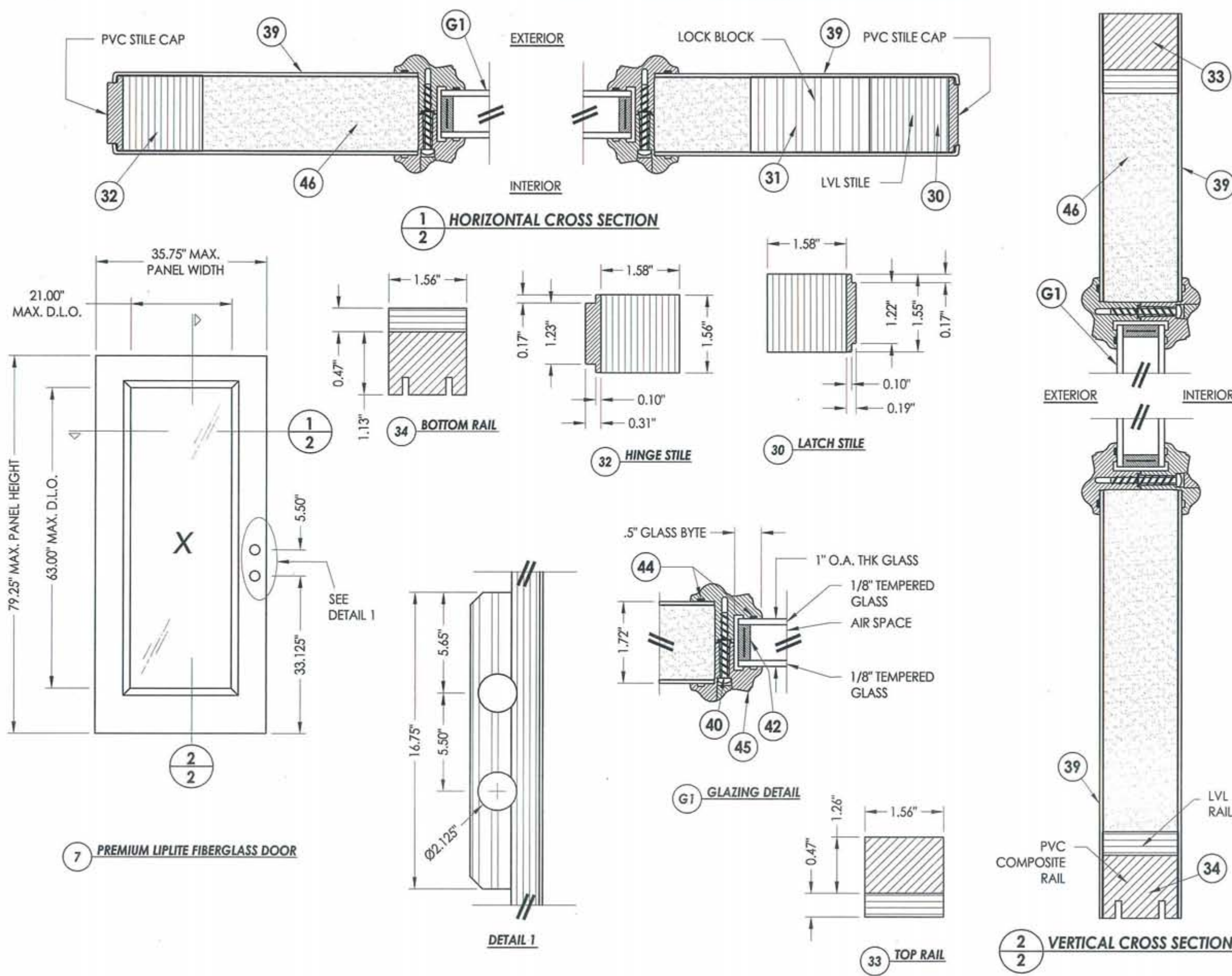
Documents Prepared By: Lyndon F. Schmidt, P.E.  
TEXAS P.E. #104123

**RW** BUILDING CONSULTANTS, INC.  
P.O. Box 230 Valrico FL 33595  
Phone No.: 813.859.9197  
TEXAS BOARD OF PROFESSIONAL ENGINEERS  
CERTIFICATE OF REGISTRATION # F-11852

PRODUCT: TRINITY GLASS INT'L PREMIUM LIPLITE FIBERGLASS  
PART OR ASSEMBLY: TYPICAL ELEVATION, DESIGN PRESSURES & GENERAL NOTES

| NO. | DATE    | REVISIONS                     |
|-----|---------|-------------------------------|
| 2   | 7/23/09 | TDI PRODUCT EVALUATION UPDATE |
| 1   | 6/28/06 | REVISED LOCKSET NOMENCLATURE  |
|     |         | BY                            |

DATE: 8/26/05  
SCALE: N.T.S.  
DWG. BY: EW  
CHK. BY: LFS  
DRAWING NO.: TX-594  
SHEET 1 OF 9



Documents Prepared By: Lyndon F. Schmidt, P.E.  
 TEXAS P.E. #104123

**RW** BUILDING CONSULTANTS, INC.  
 P.O. Box 230 Valrico FL 33595  
 Phone No.: 813.659.9197

TEXAS BOARD OF PROFESSIONAL ENGINEERS  
 CERTIFICATE OF REGISTRATION # F-11852

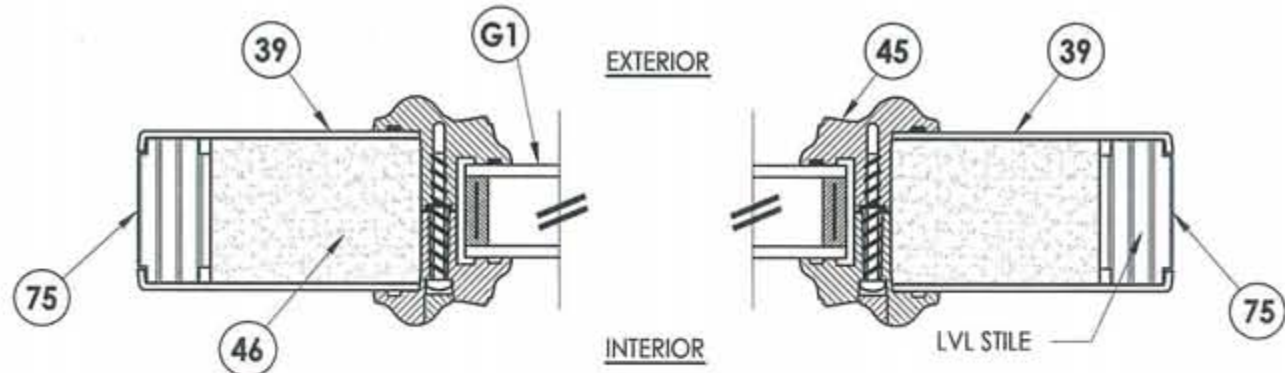
PRODUCT: TRINITY GLASS INT'L PREMIUM LIPLITE FIBERGLASS

PART OR ASSEMBLY: DOOR PANEL CONSTRUCTION DETAILS AND GLAZING DETAILS

| NO. | DATE    | BY | REVISIONS                     |
|-----|---------|----|-------------------------------|
| 2   | 7/23/09 | AL | TDI PRODUCT EVALUATION UPDATE |
| 1   | 6/28/06 | EW | REVISED LOCKSET NOMENCLATURE  |

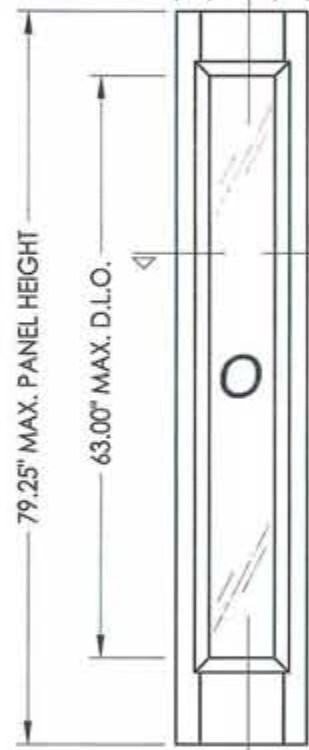
DATE: 8/26/05  
 SCALE: N.T.S.  
 DWG. BY: EW  
 CHK. BY: LFS  
 DRAWING NO.: TX-594  
 SHEET 2 OF 9

R:\A - Projects\Project Folders\Proj 1101 - 1200\p1122\1D. RWBC Drawings\TX-594\TX-594.dwg\_3



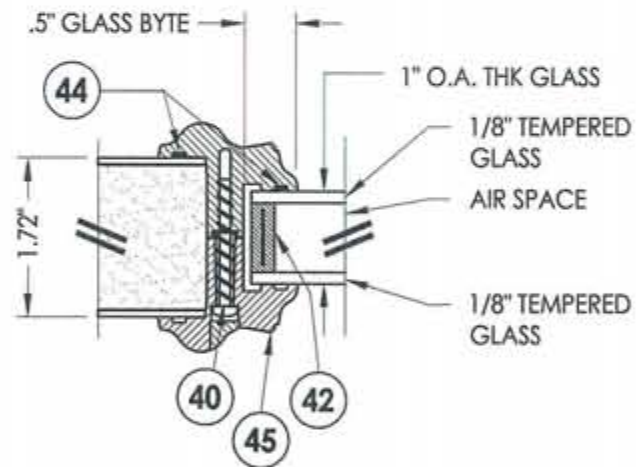
**1**  
**3** HORIZONTAL CROSS SECTION

13.88" MAX. PANEL WIDTH  
6.84" MAX. D.L.O.

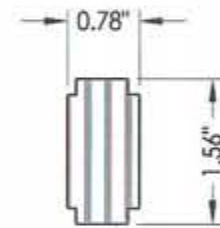


**2**  
**3**

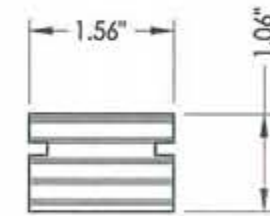
**66** PREMIUM LIPLITE FIBERGLASS SIDELITE



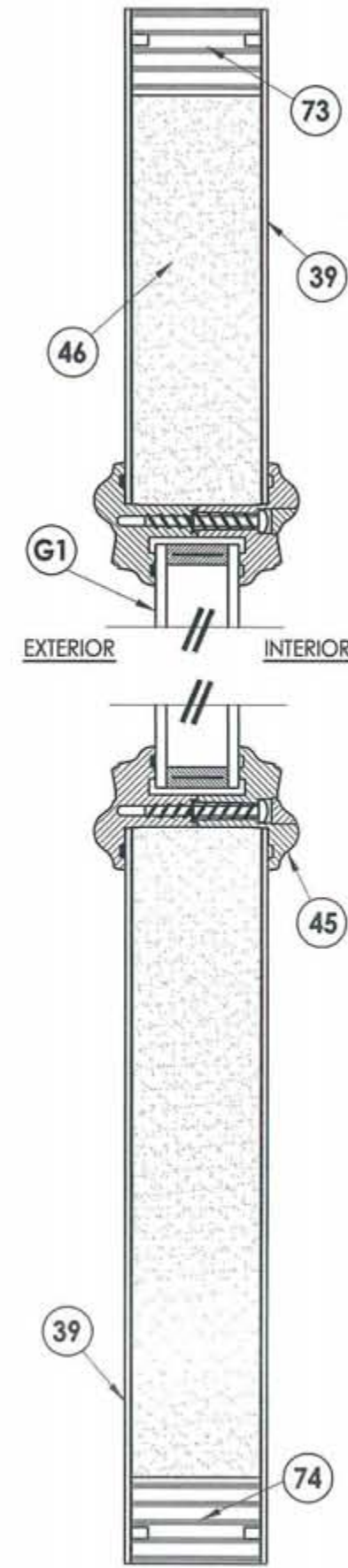
**G1** GLAZING DETAIL



**75** SIDELITE STILE



**74** **73** TOP & BOTTOM RAIL SIDELITE



**2**  
**3** VERTICAL CROSS SECTION



Documents Prepared By: Lyndon F. Schmidt, P.E.  
TEXAS P.E. #104123

**RW** BUILDING CONSULTANTS, INC.  
P.O. Box 230 Valrico FL 33595  
Phone No.: 813.659.9197

TEXAS BOARD OF PROFESSIONAL ENGINEERS  
CERTIFICATE OF REGISTRATION # F-11852

PRODUCT: TRINITY GLASS INT'L  
PREMIUM LIPLITE FIBERGLASS

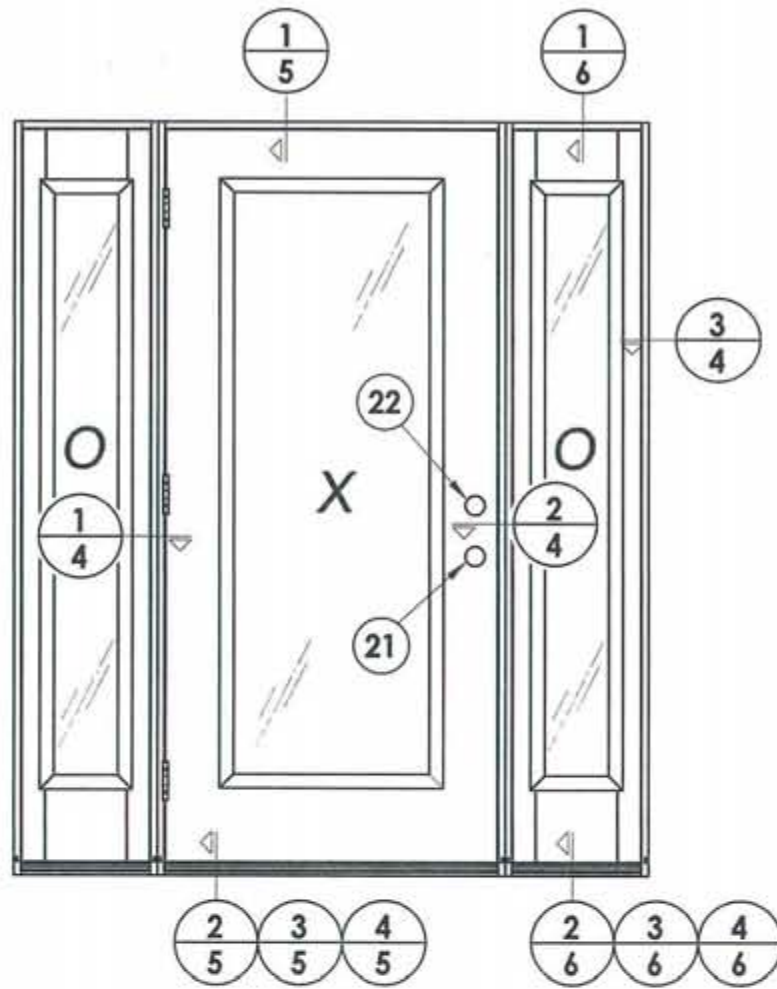
PART OR ASSEMBLY:  
SIDELITE PANEL CONSTRUCTION  
DETAILS AND GLAZING DETAILS

| NO. | DATE    | BY | REVISIONS                     |
|-----|---------|----|-------------------------------|
| 2   | 7/23/09 | AL | TDI PRODUCT EVALUATION UPDATE |
| 1   | 6/28/06 | EW | REVISED LOCKSET NOMENCLATURE  |

DATE: 8/26/05  
SCALE: N.T.S.  
DWG. BY: EW  
CHK. BY: LFS  
DRAWING NO.: TX-594  
SHEET 3 OF 9

**NOTE:**

- Sidelite ass'y fastener: 6" from each end and 4 more screws equally spaced between (6 screws total per jamb).



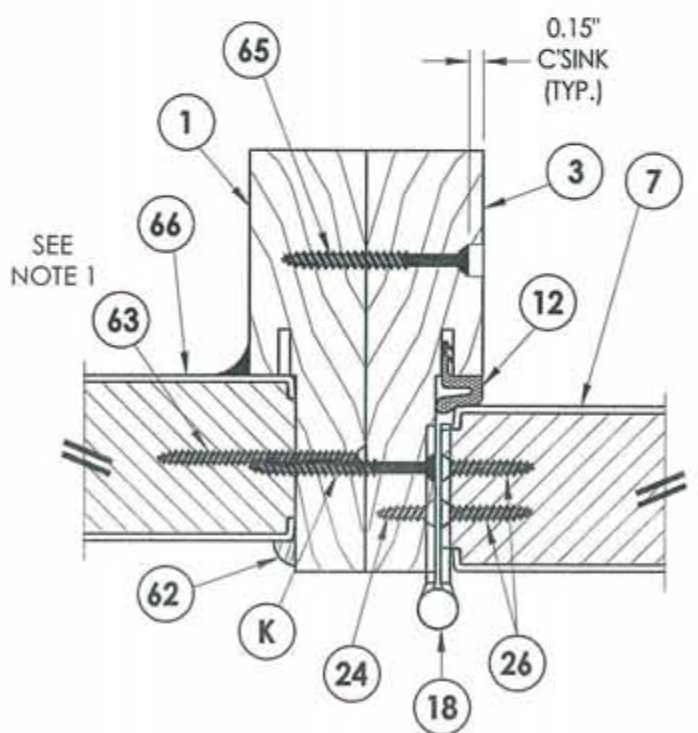
| LOCK & DEADBOLT RATINGS CHART |                         |        |                            |          |
|-------------------------------|-------------------------|--------|----------------------------|----------|
| MANUFACTURER                  | MODEL                   | ITEM # | MAX. DESIGN PRESSURE (PSF) |          |
|                               |                         |        | POSITIVE                   | NEGATIVE |
| KWIKSET                       | LOCK: 740               | 21     | +55.0                      | -55.0    |
|                               | DEADBOLT: 780           | 22     |                            |          |
| KWIKSET                       | LOCK: COMBO 660         | 21     | +55.0                      | -55.0    |
|                               | DEADBOLT: COMBO 660     | 22     |                            |          |
| SCHLAGE                       | LOCK: MAX. SECURITY     | 21     | +55.0                      | -55.0    |
|                               | DEADBOLT: MAX. SECURITY | 22     |                            |          |



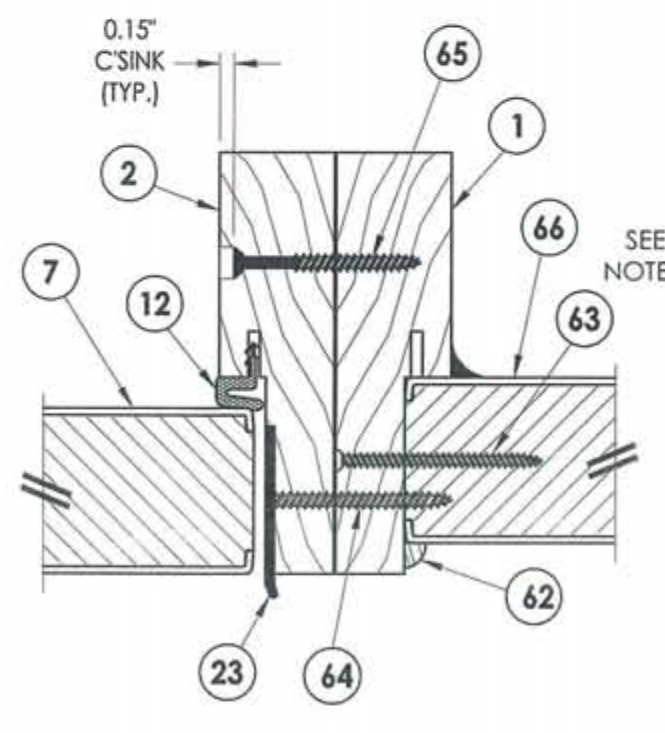
Documents Prepared By: Lyndon F. Schmidt, P.E.  
 TEXAS P.E. #104123

**RW** BUILDING CONSULTANTS, INC.  
 P.O. Box 230 Valrico FL, 33595  
 Phone No.: 813.659.9197

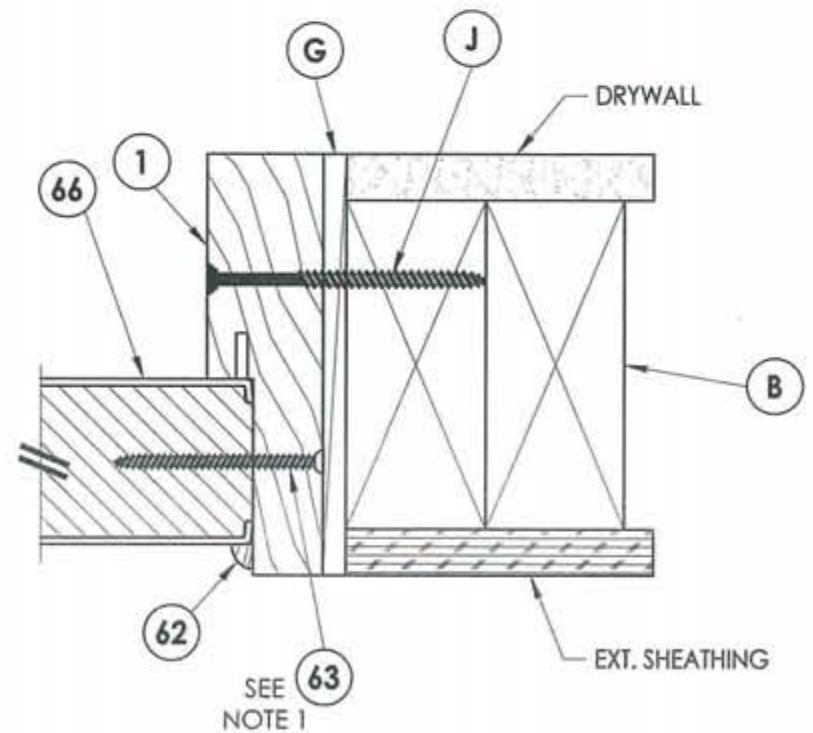
TEXAS BOARD OF PROFESSIONAL ENGINEERS  
 CERTIFICATE OF REGISTRATION # F-11852



**1 HORIZONTAL CROSS SECTION**  
**4** Outswing shown  
 Inswing also approved



**2 HORIZONTAL CROSS SECTION**  
**4** Outswing shown  
 Inswing also approved



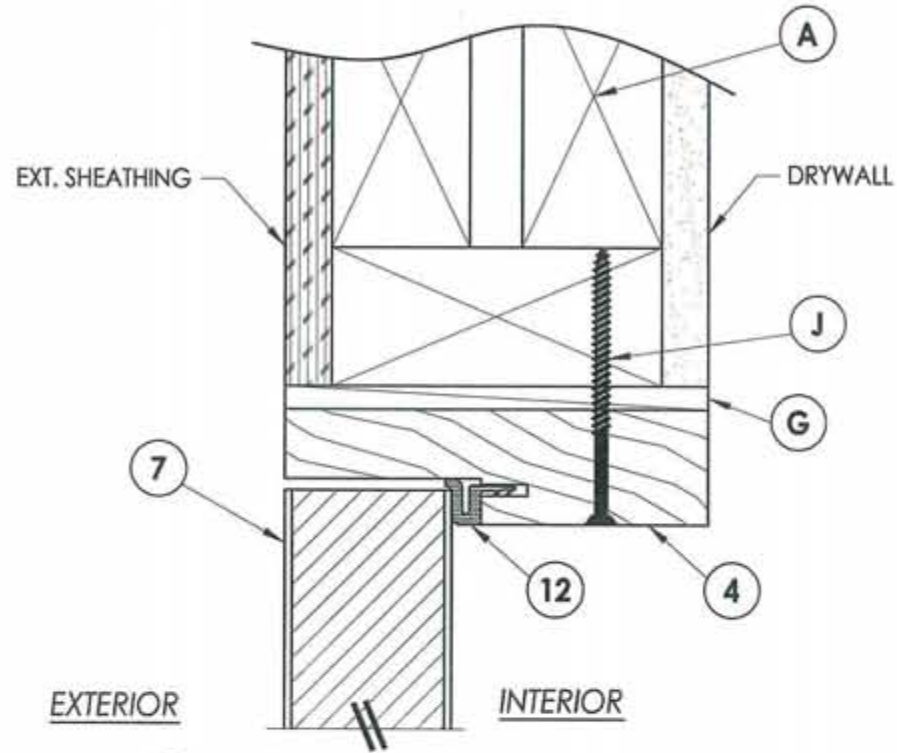
**3 HORIZONTAL CROSS SECTION**  
**4** Outswing shown  
 Inswing also approved

PRODUCT: TRINITY GLASS INT'L  
 PREMIUM LIPLITE FIBERGLASS

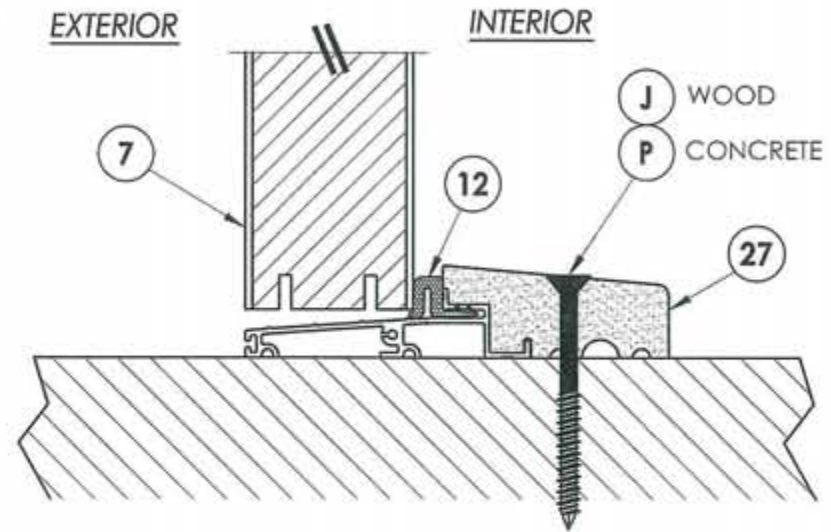
PART OR ASSEMBLY:  
 HORIZONTAL CROSS SECTION

| NO. | DATE    | REVISIONS                     |
|-----|---------|-------------------------------|
| 2   | 7/23/09 | TDI PRODUCT EVALUATION UPDATE |
| 1   | 6/28/06 | REVISED LOCKSET NOMENCLATURE  |
|     |         | BY                            |

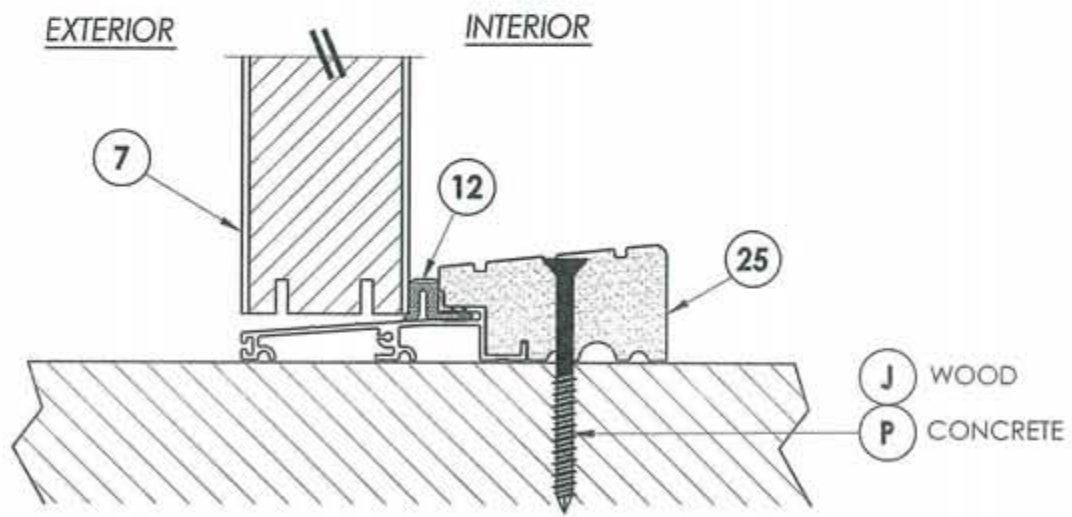
DATE: 8/26/05  
 SCALE: N.T.S.  
 DWG. BY: EW  
 CHK. BY: LFS  
 DRAWING NO.: TX-594  
 SHEET 4 of 9



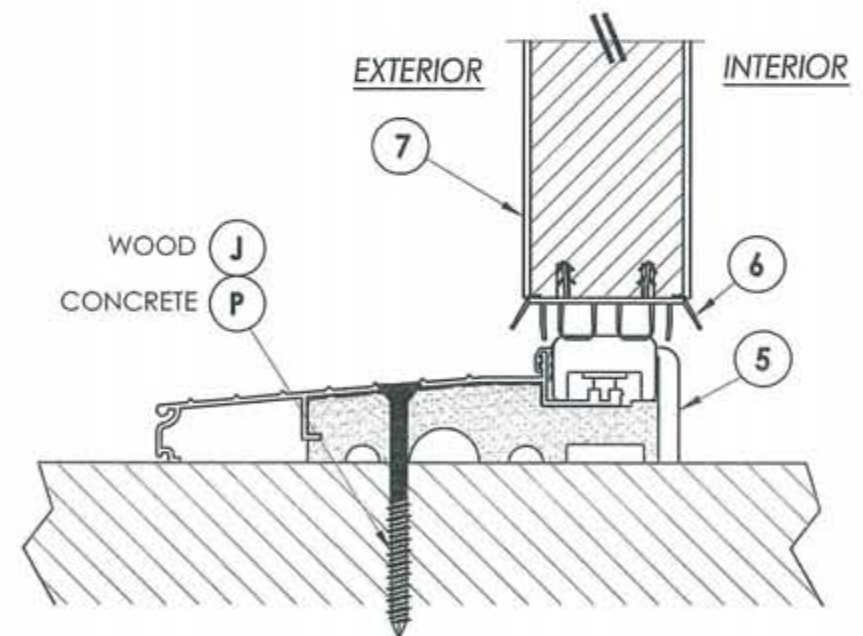
**1 VERTICAL CROSS SECTION**  
**5** Outswing shown  
 Inswing also approved



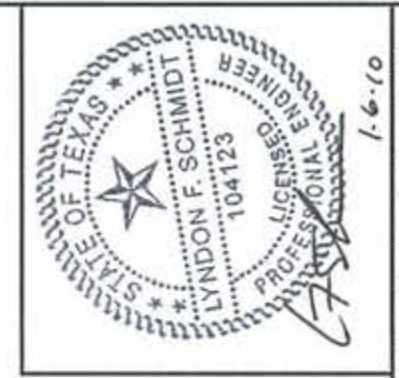
**2 VERTICAL CROSS SECTION**  
**5** Outswing configuration



**3 VERTICAL CROSS SECTION**  
**5** Outswing configuration



**4 VERTICAL CROSS SECTION**  
**5** Inswing configuration

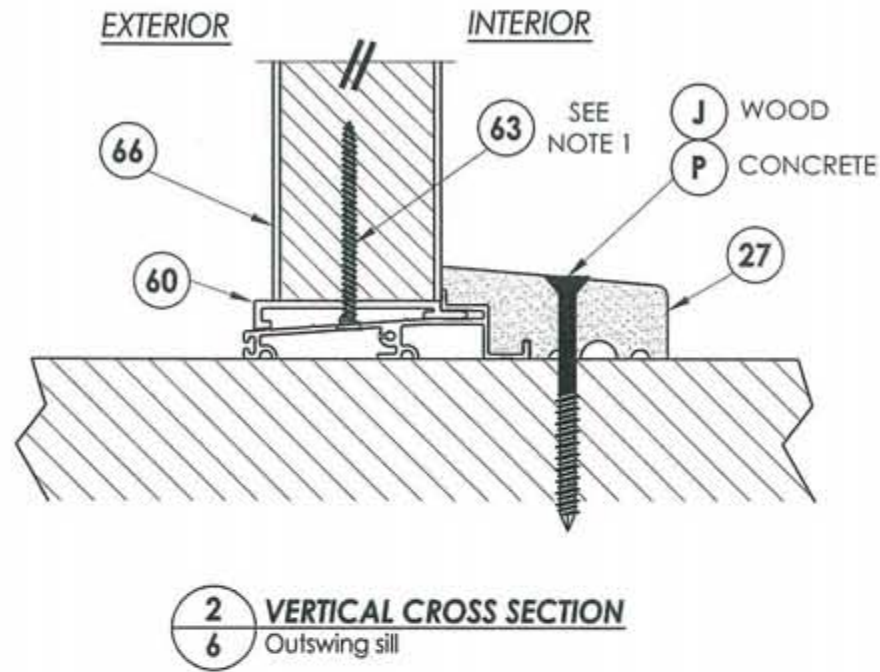
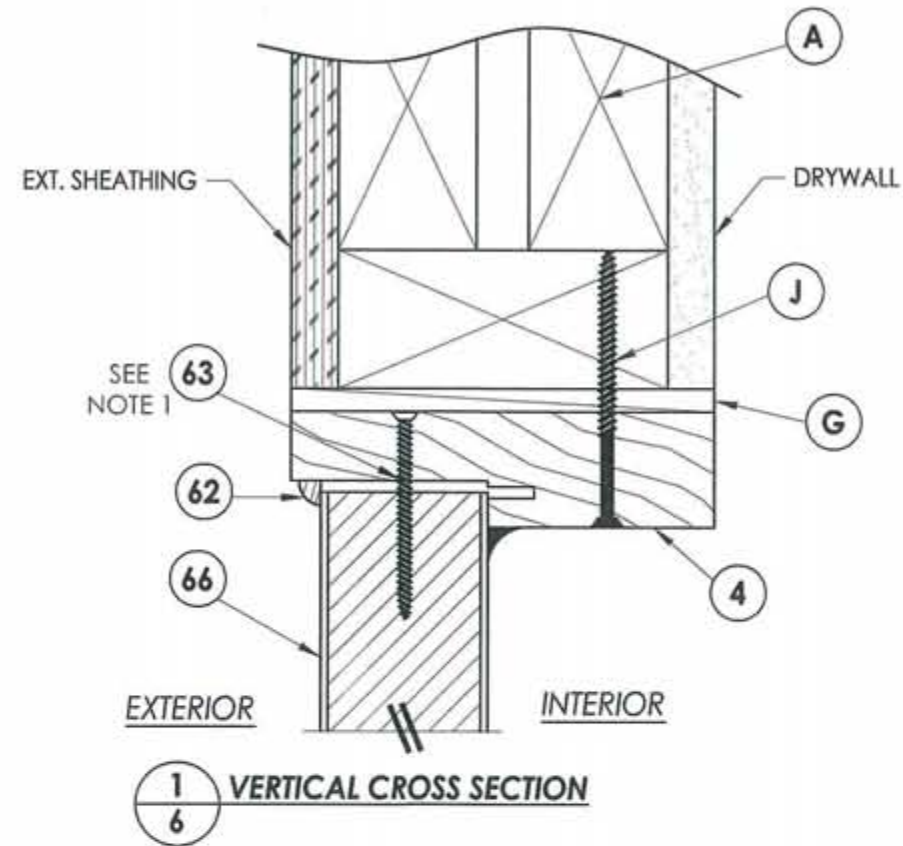


Documents Prepared By: Lyndon F. Schmidt, P.E.  
 TEXAS P.E. #104123  
 1-6-10  
**RW** BUILDING CONSULTANTS, INC.  
 P.O. Box 230 Valrico FL, 33595  
 Phone No.: 813.659.9197  
 TEXAS BOARD OF PROFESSIONAL ENGINEERS  
 CERTIFICATE OF REGISTRATION # F-11852

PRODUCT: TRINITY GLASS INT'L  
 PREMIUM LIPUTE FIBERGLASS  
 PART OR ASSEMBLY:  
 VERTICAL CROSS SECTIONS

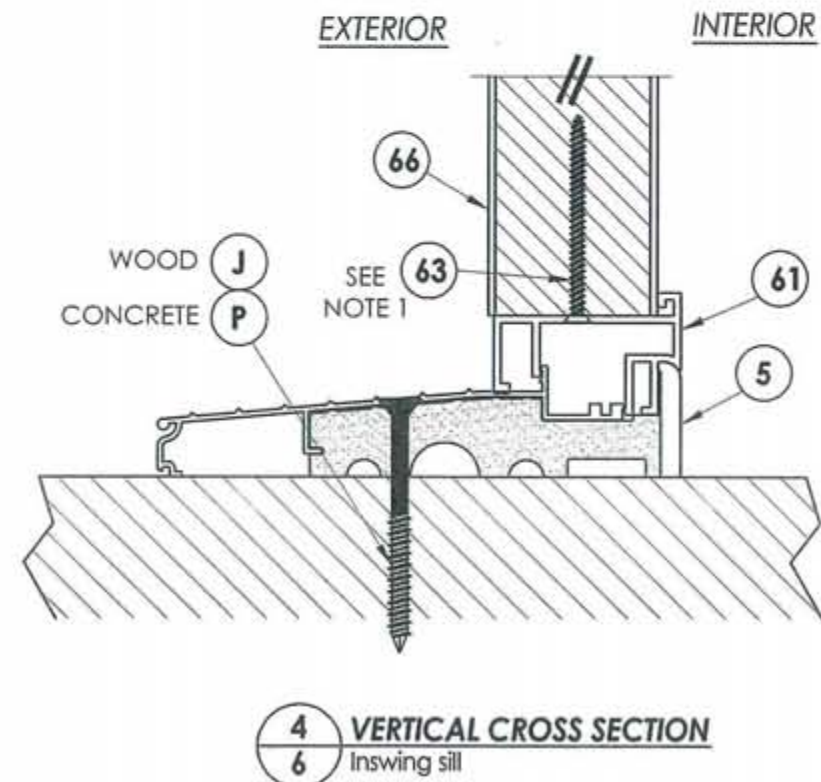
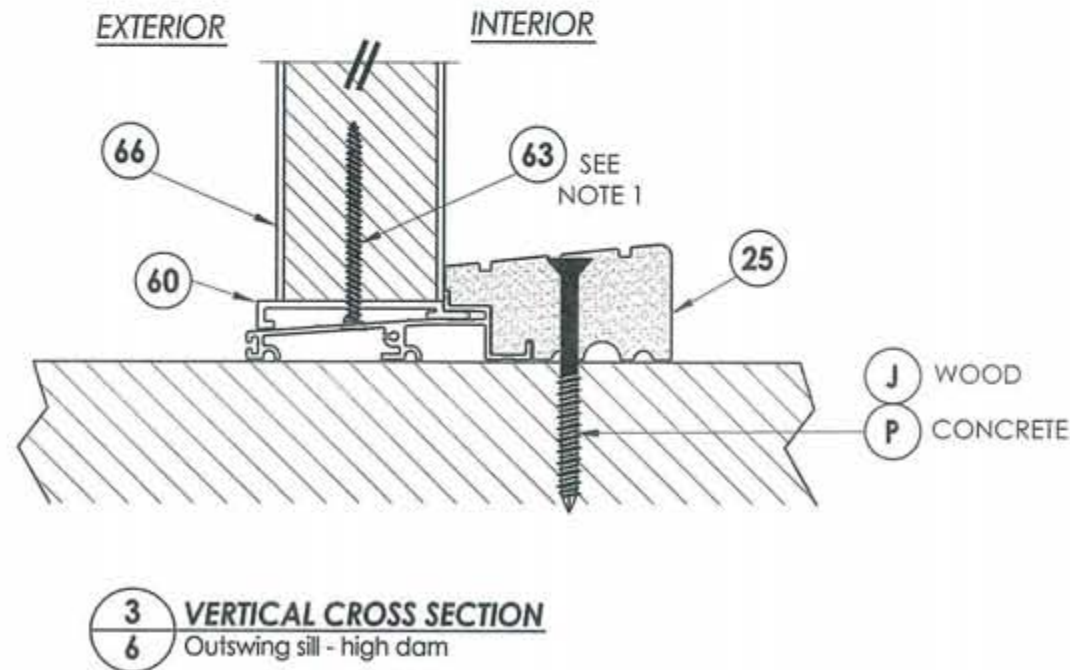
| NO. | DATE    | REVISIONS                     |
|-----|---------|-------------------------------|
| 2   | 7/23/09 | TDI PRODUCT EVALUATION UPDATE |
| 1   | 6/28/06 | REVISED LOCKSET NOMENCLATURE  |
|     |         | AL                            |
|     |         | EW                            |
|     |         | BY                            |

DATE: 8/26/05  
 SCALE: N.T.S.  
 DWG. BY: EW  
 CHK. BY: LFS  
 DRAWING NO.: TX-594  
 SHEET 5 of 9



**NOTE:**

1. Screws thru head and sill jamb located 3" from each end and on center line.



1-6-16  
Documents Prepared By: Lyndon F. Schmidt, P.E.  
TEXAS P.E. #104123

**RW** BUILDING CONSULTANTS, INC.  
P.O. Box 230 Valrico FL 33595  
Phone No.: 813.659.9197

TEXAS BOARD OF PROFESSIONAL ENGINEERS  
CERTIFICATE OF REGISTRATION # F-11852

PRODUCT:  
TRINITY GLASS INT'L  
PREMIUM LIPLITE FIBERGLASS

PART OR ASSEMBLY:  
VERTICAL CROSS SECTIONS

| NO. | DATE    | REVISIONS                     |
|-----|---------|-------------------------------|
| 2   | 7/23/09 | TDI PRODUCT EVALUATION UPDATE |
| 1   | 6/28/06 | REVISED LOCKSET NOMENCLATURE  |
|     |         | BY                            |

DATE: 8/26/05

SCALE: N.T.S.

DWG. BY: EW

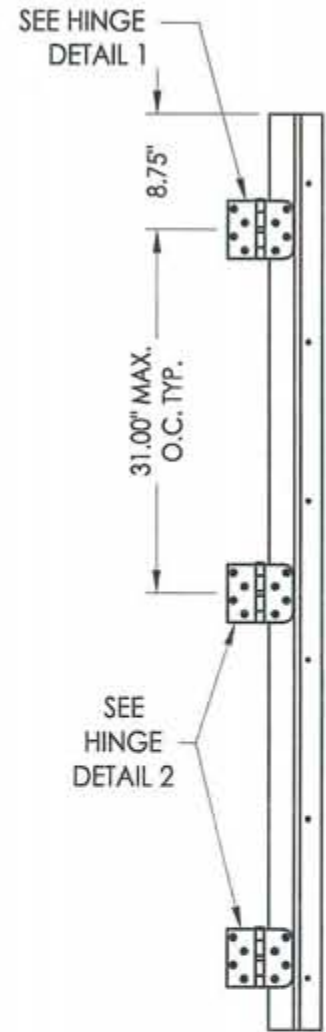
CHK. BY: LFS

DRAWING NO.:

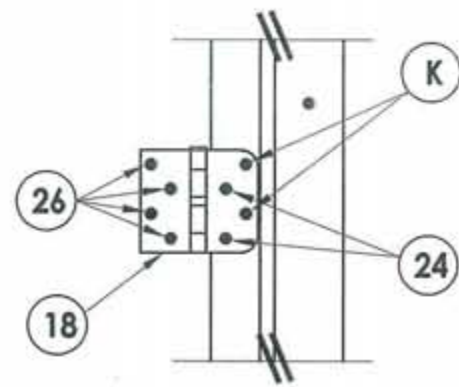
TX-594

SHEET 6 OF 9

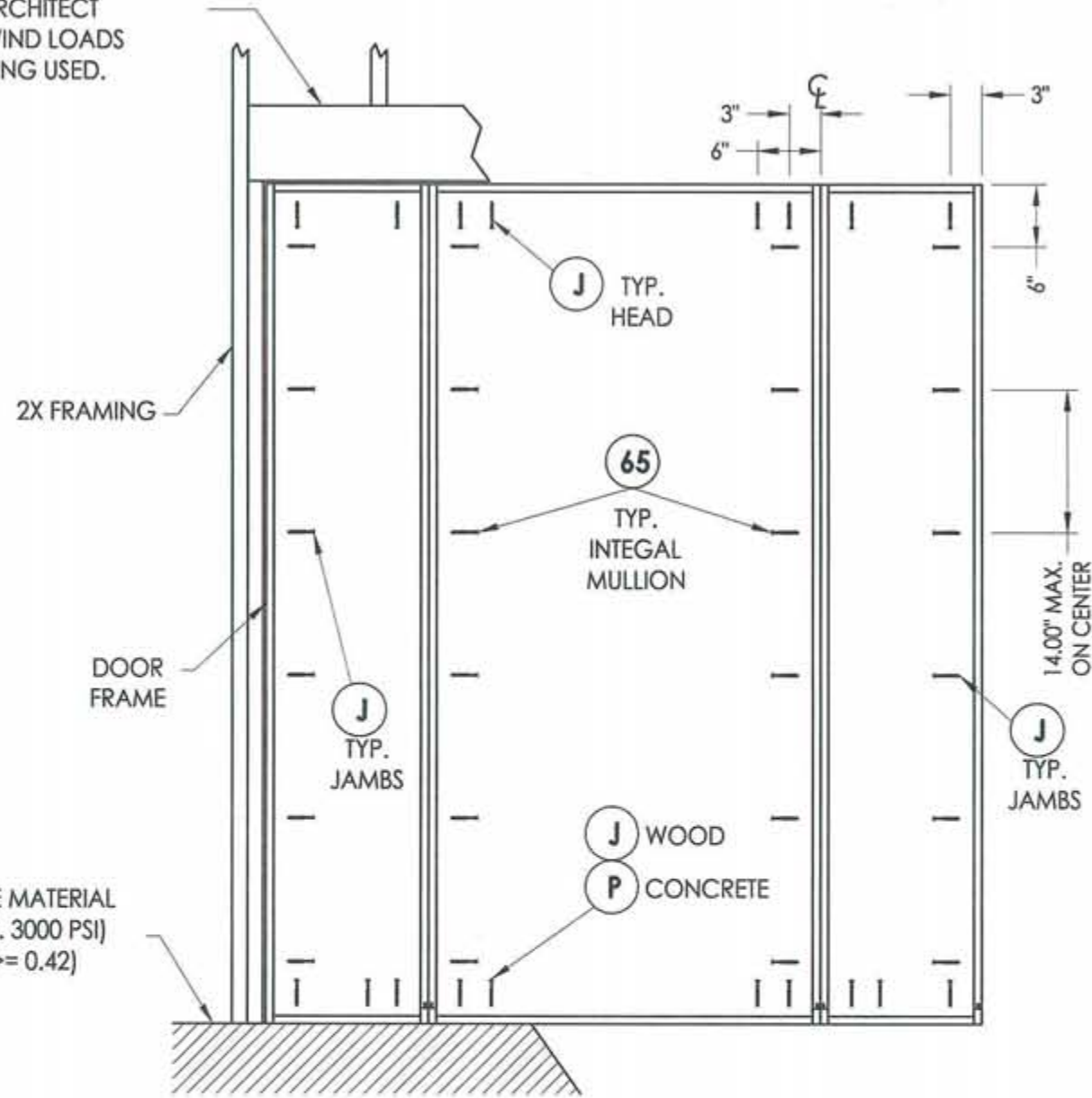
2X FRAMING TO BE DESIGNED BY THE ENGINEER OR ARCHITECT OF RECORD BASED ON WIND LOADS AND THE CLADDING BEING USED.



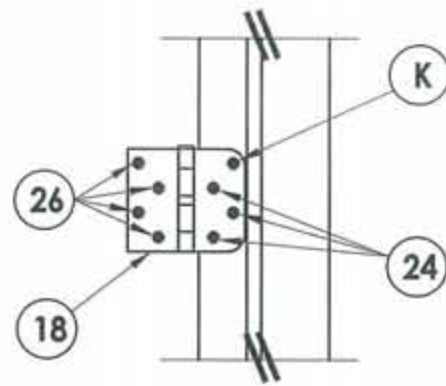
**HINGE JAMB**



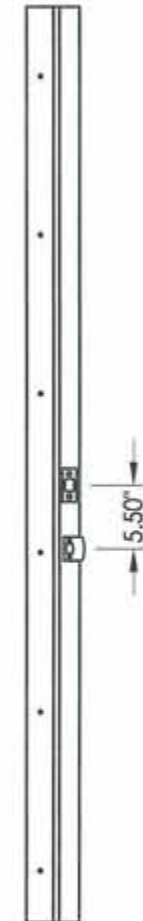
**HINGE DETAIL 1**



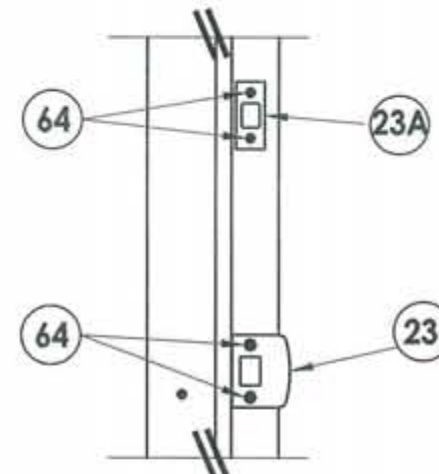
**FRAME ANCHORING**  
Stud construction



**HINGE DETAIL 2**



**STRIKE JAMB**



**STRIKE PLATE DETAIL**



Documents Prepared By: Lyndon F. Schmidt, P.E.  
TEXAS P.E. #104123

**R.W.** BUILDING CONSULTANTS, INC.  
P.O. Box 230 Valrico FL, 33595  
Phone No.: 813.659.9197

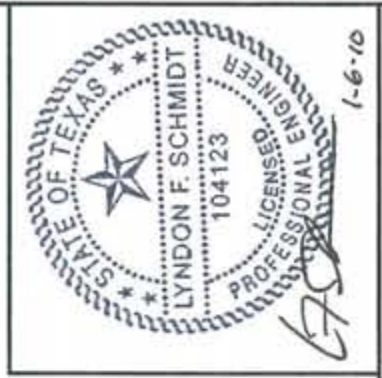
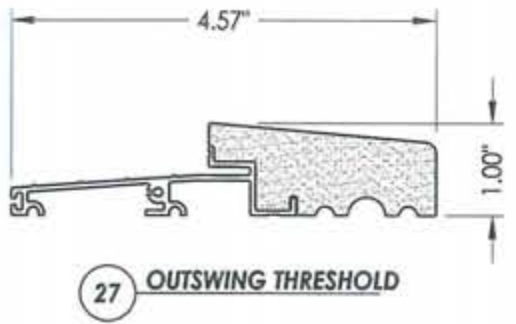
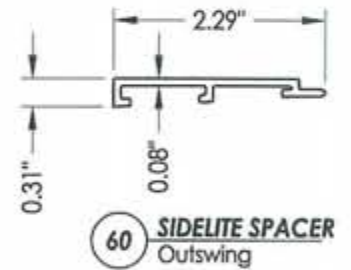
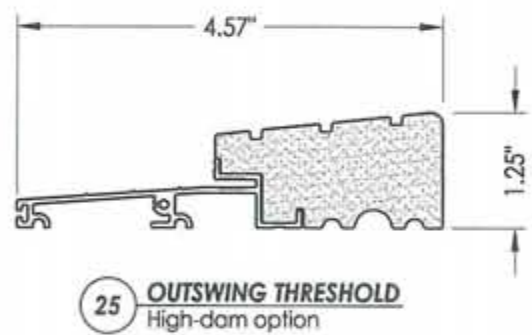
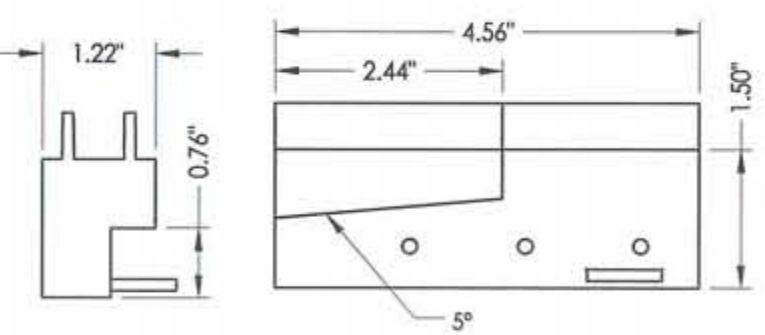
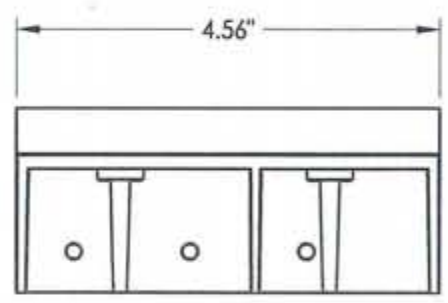
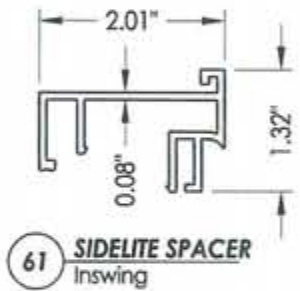
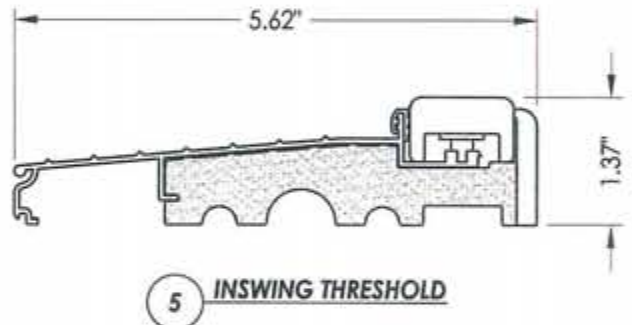
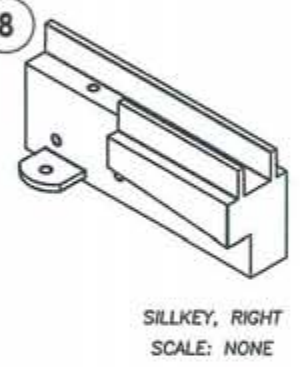
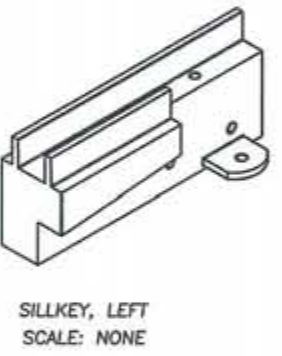
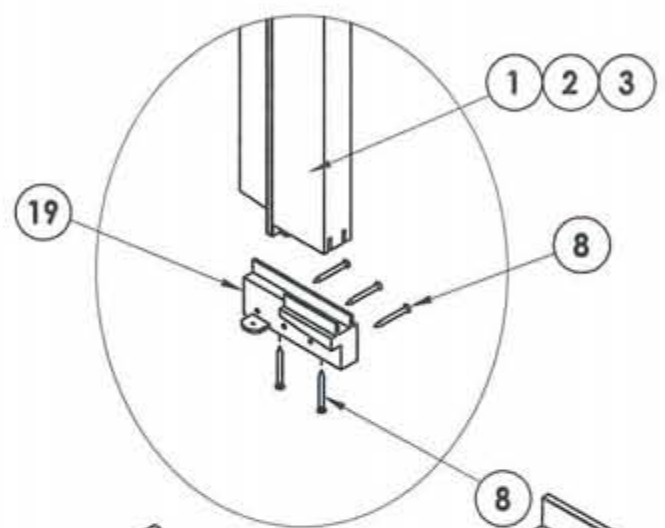
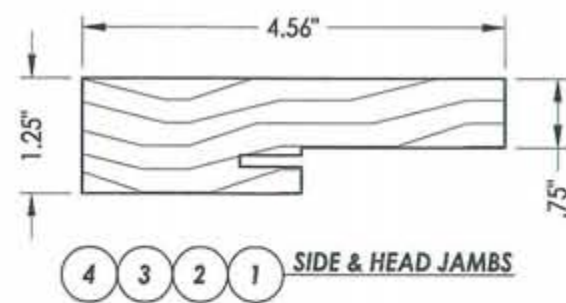
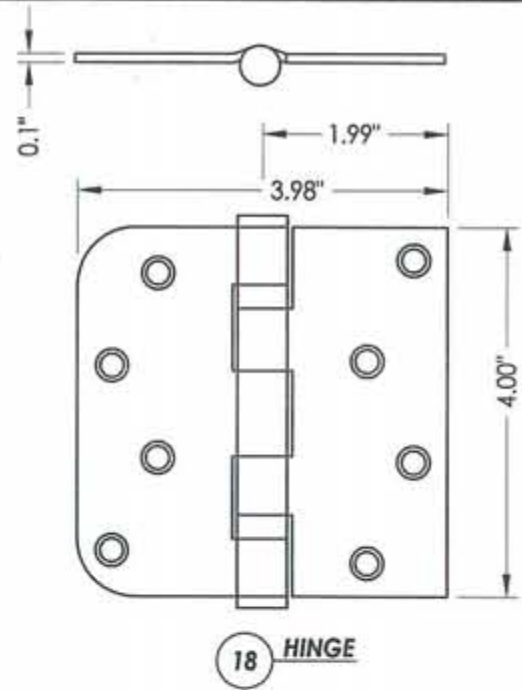
TEXAS BOARD OF PROFESSIONAL ENGINEERS  
CERTIFICATE OF REGISTRATION # F-11852

PRODUCT: TRINITY GLASS INT'L PREMIUM LIPLITE FIBERGLASS

PART OR ASSEMBLY: FRAME ANCHORING

| NO. | DATE    | BY | REVISIONS                     |
|-----|---------|----|-------------------------------|
| 2   | 7/23/09 | AL | TDI PRODUCT EVALUATION UPDATE |
| 1   | 6/28/06 | EW | REVISED LOCKSET NOMENCLATURE  |

DATE: 8/26/05  
SCALE: N.T.S.  
DWG. BY: EW  
CHK. BY: LFS  
DRAWING NO.: TX-594  
SHEET 7 OF 9



Documents Prepared By: Lyndon F. Schmidt, P.E.  
TEXAS P.E. #104123

**RW** BUILDING CONSULTANTS, INC.  
P.O. Box 230 Valrico FL 33595  
Phone No.: 813.659.9197

TEXAS BOARD OF PROFESSIONAL ENGINEERS  
CERTIFICATE OF REGISTRATION # F-11852

PRODUCT: TRINITY GLASS INT'L  
PREMIUM LIPLITE FIBERGLASS

PART OR ASSEMBLY:  
COMPONENTS

| NO. | DATE    | BY | REVISIONS                     |
|-----|---------|----|-------------------------------|
| 2   | 7/23/09 | AL | TDI PRODUCT EVALUATION UPDATE |
| 1   | 6/28/06 | EW | REVISED LOCKSET NOMENCLATURE  |

DATE: 8/26/05  
SCALE: N.T.S.  
DWG. BY: EW  
CHK. BY: LFS  
DRAWING NO.: TX-594  
SHEET 8 OF 9



**CONCRETE ANCHOR NOTES:**

1. Substitution of equal concrete anchors from a different supplier may have different edge distance and center distance requirements.
2. Concrete anchor locations at the corners may be adjusted to maintain the min. edge distance to mortar joints. If concrete anchor locations noted as "MAX. ON CENTER" must be adjusted to maintain the min. edge distance to mortar joints, additional concrete anchors may be required to ensure the "MAX. ON CENTER" dimensions are not exceeded.
3. Concrete anchor table:

| ANCHOR TYPE | ANCHOR SIZE | MIN. EMBEDMENT | MIN. CLEARANCE TO MASONRY EDGE | MIN. CLEARANCE TO ADJACENT ANCHOR |
|-------------|-------------|----------------|--------------------------------|-----------------------------------|
| ITW         | 3/16"       | 1-3/4"         | 2-5/8"                         | 2-1/4"                            |
| ELCO        | 3/16"       | 1-3/4"         | 1"                             | 3"                                |



Documents Prepared By: Lyndon F. Schmidt, P.E.  
TEXAS P.E. #104123

**RW** BUILDING CONSULTANTS, INC.  
P.O. Box 230 Vairco FL 33595  
Phone No.: 813.659.9197

TEXAS BOARD OF PROFESSIONAL ENGINEERS  
CERTIFICATE OF REGISTRATION # F-11852

**BILL OF MATERIALS**

| ITEM | DESCRIPTION   | MATERIAL     | ITEM | DESCRIPTION   | MATERIAL     |
|------|---|--------------|------|---|--------------|
| A    | 2X HEADER FRAMING SG >= 0.42                                      | WOOD         | 26   | #9 X 1" PFH SCREW   | STEEL        |
| B    | 2X FRAMING SG >= 0.42   | WOOD         | 27   | OUTSWING THRESHOLD ALUMINUM W/ COMPOSITE SUBSTRATE                        | ALUM./ COMP. |
| G    | MAX. 1/4" SHIM SPACE  | WOOD         | 30   | LATCH STILE - SG >= 0.42  | LVL/PVC      |
| J    | #10 X 3" PFH WS   | STEEL        | 31   | LVL LOCK BLOCK  | POPLAR       |
| K    | #9 X 2" PFH WS  | STEEL        | 32   | HINGE STILE - SG >= 0.42  | LVL/PVC      |
| P    | 3/16" X 2-3/4" ELCO OR ITW PFH CONCRETE SCREW                     | STEEL        | 33   | TOP RAIL - POPLAR LVL & WPC COMBINATION                                   | POPLAR/WPC   |
| 1    | SIDELITE JAMB - FINGER-JOINT PINE - SG >= 0.42                    | WOOD         | 34   | BOTTOM RAIL - POPLAR LVL & WPC COMBINATION                                | POPLAR/WPC   |
| 2    | STRIKE JAMB - FINGER-JOINT PINE - SG >= 0.42                      | WOOD         | 39   | FIBERGLASS SKIN 0.079" MIN. THICKNESS (Fy = 5,203 PSI MIN.)               | FIBERGLASS   |
| 3    | HINGE JAMB - FINGER-JOINT PINE - SG >= 0.42                       | WOOD         | 40   | #8 X 1-1/8" SELF THREADING SCREW  | STEEL        |
| 4    | HEAD - FINGER-JOINT PINE - SG >= 0.42                             | WOOD         | 42   | ALUMINUM & BUTYL SPACER SYSTEM  | ALUM./BUTYL  |
| 5    | INSWING THRESHOLD ALUMINUM W/ COMPOSITE SUBSTRATE                 | ALUMINUM     | 44   | HOT MELT SEALANT / SILICONE   | -            |
| 6    | DOOR BOTTOM SWEEP   | PVC          | 45   | LITE FRAME  | PC/ASA       |
| 7    | DOOR PANEL - SEE DOOR PANEL DETAIL SHEET FOR CONSTRUCTION DETAILS | -            | 46   | FOAM CORE   | POLYURETHANE |
| 8    | #6 X 1-1/4" PFH DRYWALL SCREW                                     | STEEL        | 60   | SIDELITE SPACER - OUTSWING  | PVC          |
| 12   | WEATHER STRIP QEBD650 Q-LON                                       | -            | 61   | SIDELITE SPACER - INSWING   | PVC          |
| 18   | 3.983" X 4.0" HINGE MIN 0.098" THICK                              | STEEL        | 62   | QUARTER ROUND   | WOOD         |
| 19   | SILLKEY   | PC/ASA       | 63   | #8 X 2-1/4" PFH SCREW   | STEEL        |
| 21   | LOCK (SEE LOCK & DEADBOLT RATINGS CHART)                          | STEEL        | 64   | #8 X 2" PFH SCREW   | STEEL        |
| 22   | DEADBOLT (SEE LOCK & DEADBOLT RATINGS CHART)                      | STEEL        | 65   | #10 X 2" PFH SCREW  | STEEL        |
| 23   | STRIKE PLATE  | STEEL        | 66   | SIDELITE PANEL - SEE SIDELITE PANEL DETAIL SHEET FOR CONSTRUCTION DETAILS | -            |
| 23A  | DEADBOLT PLATE  | STEEL        | 73   | LVL SIDELITE TOP RAIL (FULL LITE)   | POPLAR       |
| 24   | #9 X 5/8" PFH SCREW   | STEEL        | 74   | LVL SIDELITE BOTTOM RAIL (FULL LITE)                                      | POPLAR       |
| 25   | OUTSWING HIGH-DAM THRESHOLD ALUMINUM W/ COMPOSITE SUBSTRATE       | ALUM./ COMP. | 75   | LVL SIDELITE STILE (FULL LITE)  | POPLAR       |

PRODUCT: TRINITY GLASS INT'L  
PREMIUM LITE FIBERGLASS

PART OR ASSEMBLY: BILL OF MATERIALS

| NO | DATE    | BY  |
|----|---------|-----|
| 2  | 7/23/09 | TDI |
| 1  | 6/28/06 | EW  |

DATE: 8/26/05  
SCALE: N.T.S.  
DWG. BY: EW  
CHK. BY: LFS  
DRAWING NO.: TX-594  
SHEET 9 OF 9