

**3'0 X 6'8**  
**GLAZED PREMIUM FIBERGLASS**  
**SINGLE DOOR WITH SIDELITE (BOXED)**  
**IN SWING / OUT SWING**  
**"NON-IMPACT"**

**EVALUATED FOR USE IN THE STATE OF TEXAS**

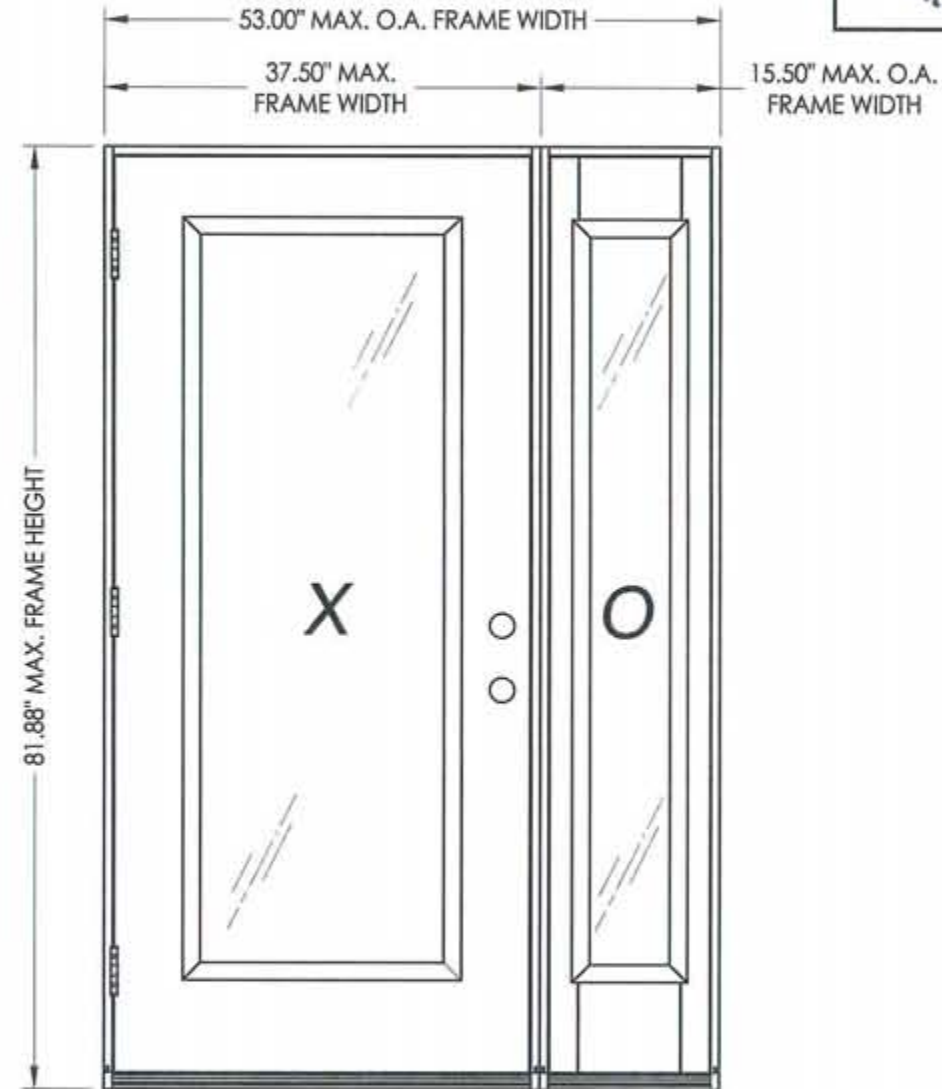
The Trinity Glazed Premium Fiberglass Door with boxed sidelite described herein complies with the 2006 International Residential Code (IRC), Sections R301 & R613 and the 2006 International Building Code (IBC), Sections 1405.12, 1609, 1714.5, 2403 and 2404 (including Texas revisions) subject to the following conditions:

1. Anchors shall be as listed and spaced as shown in the details. Anchor embedment to base material shall be beyond wall dressing or stucco.
2. When used in areas requiring wind-borne debris protection this product is required to be protected with an impact resistant covering that complies with Section R301.2.1.2 of the IRC and Section 1609.1.2 of the IBC.
3. Allowable design pressure requirements must be equal to or less than the design pressure rating shown in the design pressure chart, sheet 1 of this drawing.
4. Conditions not covered by this drawing are subject to further engineering analysis.

**SUPPORTING DOCUMENTS & EVIDENCE**

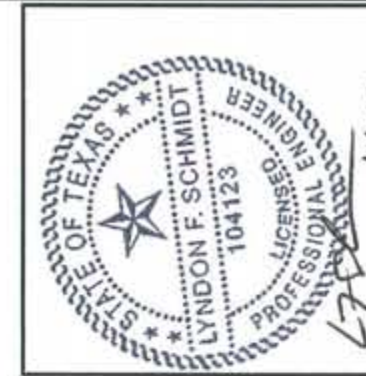
1. Testing per ASTM E330-02 as performed by Testing Evaluation Laboratories Inc. and reported in test report numbers TEL 08-01370020, TEL 05-0411-6 and TEL 06-0223-3, signed by Wendell W. Haney, P.E.
2. Calculations (Anchoring and Glass load resistance report ASTM E1300-04) prepared by Lyndon F. Schmidt, P.E.
3. Certificate of Participation issued by the National Accreditation and Management Institute, Inc., certifying that Trinity Glass Int'l is manufacturing products within a Quality Assurance program.

TABLE OF CONTENTS	
SHEET #	DESCRIPTION
1	Typical elevations, design pressures & general notes
2	Door panel construction details & glazing details
3	Sidelite panel construction details & glazing details
4	Horizontal cross sections
5	Vertical cross sections
6	Vertical cross sections
7	Frame anchoring
8	Components
9	Bill of materials



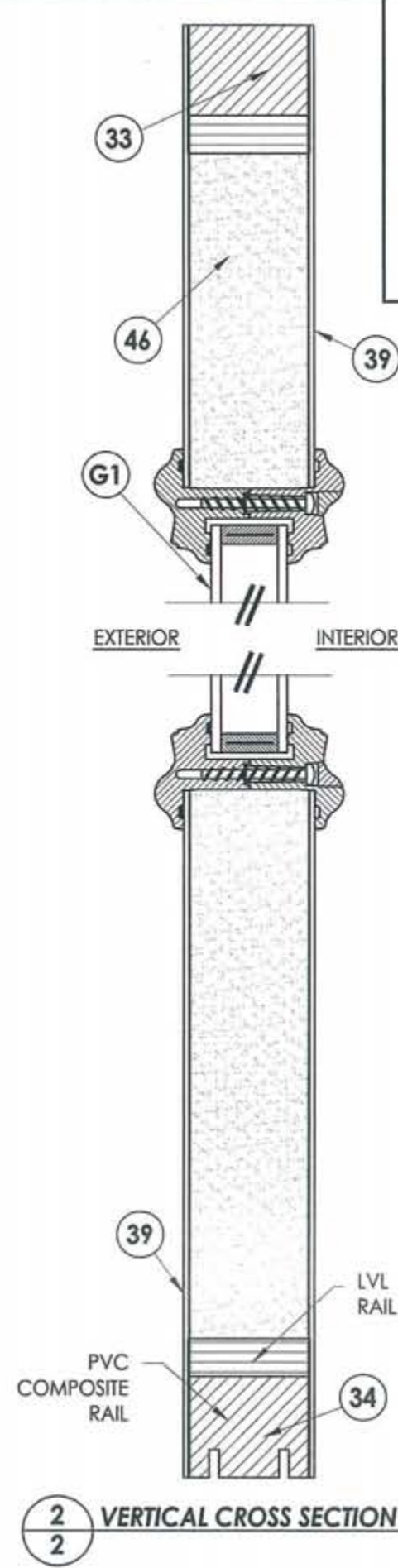
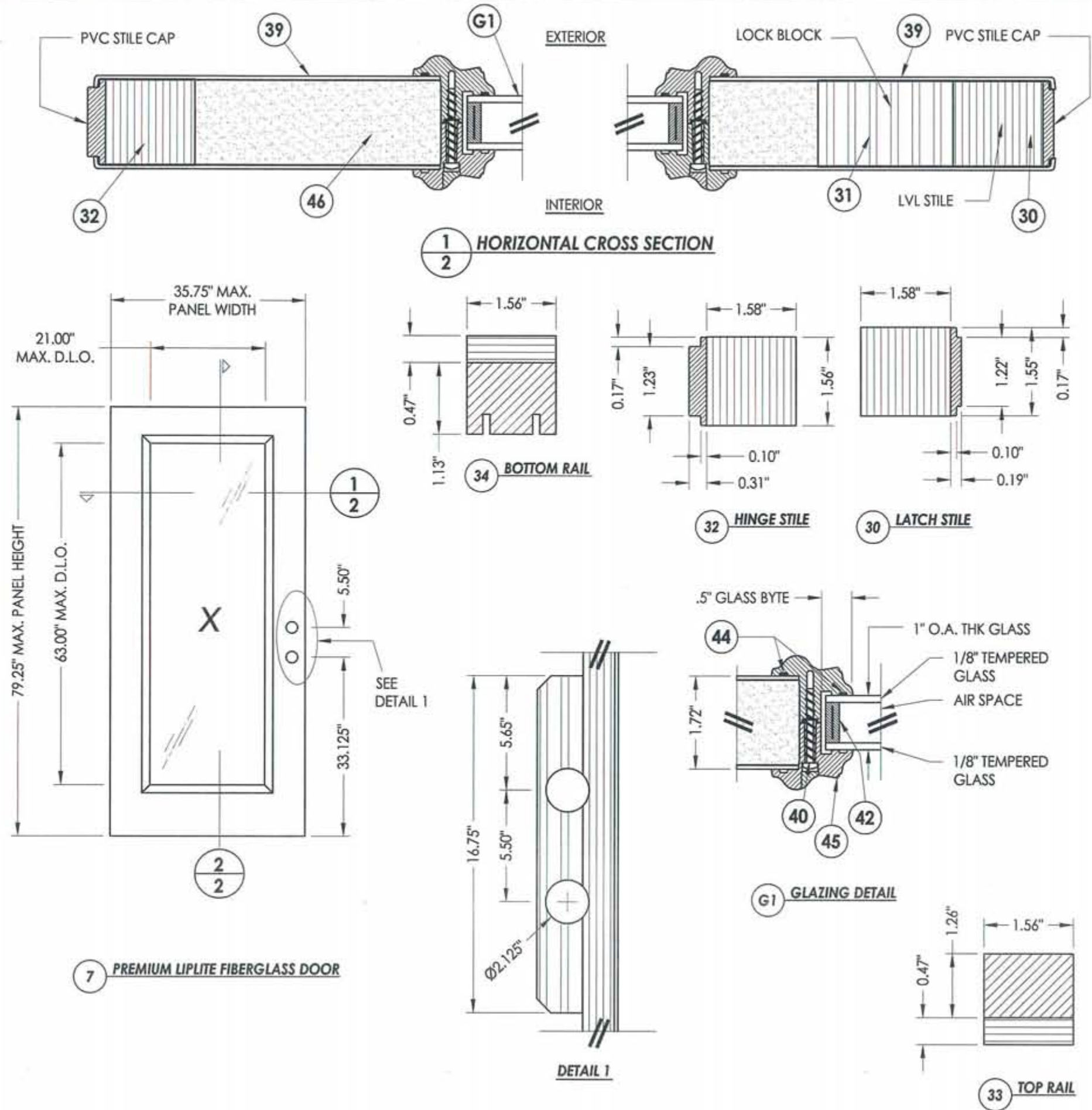
**SINGLE with BOXED SIDELITE**

SWING	MAX. FRAME DIMENSION	GLASS TYPE	DESIGN PRESSURE (PSF)	
			POSITIVE	NEGATIVE
IN SWING	53.00" x 81.88"	G1	+55.0	-55.0
OUT SWING	53.00" x 80.75"		+55.0	-55.0



Documents Prepared By: Lyndon F. Schmidt, P.E.  
TEXAS P.E. #104123  
**RW** BUILDING CONSULTANTS, INC.  
P.O. Box 230 Valrico FL 33595  
Phone No.: 813.659.9197  
TEXAS BOARD OF PROFESSIONAL ENGINEERS  
CERTIFICATE OF REGISTRATION # F-11852

PRODUCT: TRINITY GLASS INT'L PREMIUM LIPLITE FIBERGLASS		PART OR ASSEMBLY: TYPICAL ELEVATION, DESIGN PRESSURES & GENERAL NOTES	
NO.	DATE	BY	REVISIONS
2	7/23/09	AL	TDI PRODUCT EVALUATION UPDATE
1	6/28/06	EW	REVISED LOCKSET NOMENCLATURE
DATE: 8/26/05			
SCALE: N.T.S.			
DWG. BY: EW			
CHK. BY: LFS			
DRAWING NO.: TX-593			
SHEET 1 OF 9			



Documents Prepared By: Lyndon F. Schmidt, P.E.  
 TEXAS P.E. #104123

**RW** BUILDING CONSULTANTS, INC.  
 P.O. Box 230 Velrico FL 33595  
 Phone No.: 813.659.9197

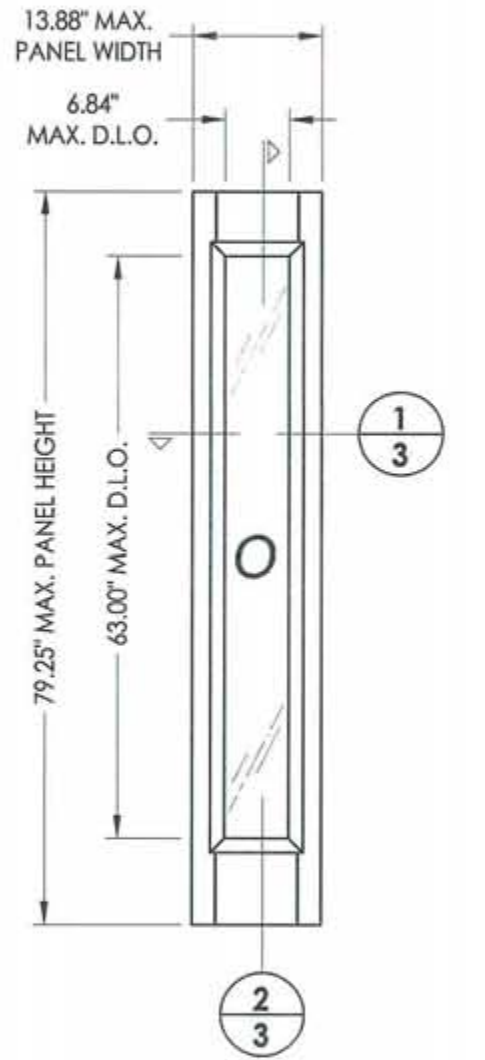
TEXAS BOARD OF PROFESSIONAL ENGINEERS  
 CERTIFICATE OF REGISTRATION # F-11852

PRODUCT: TRINITY GLASS INT'L  
 PREMIUM LIPLITE FIBERGLASS

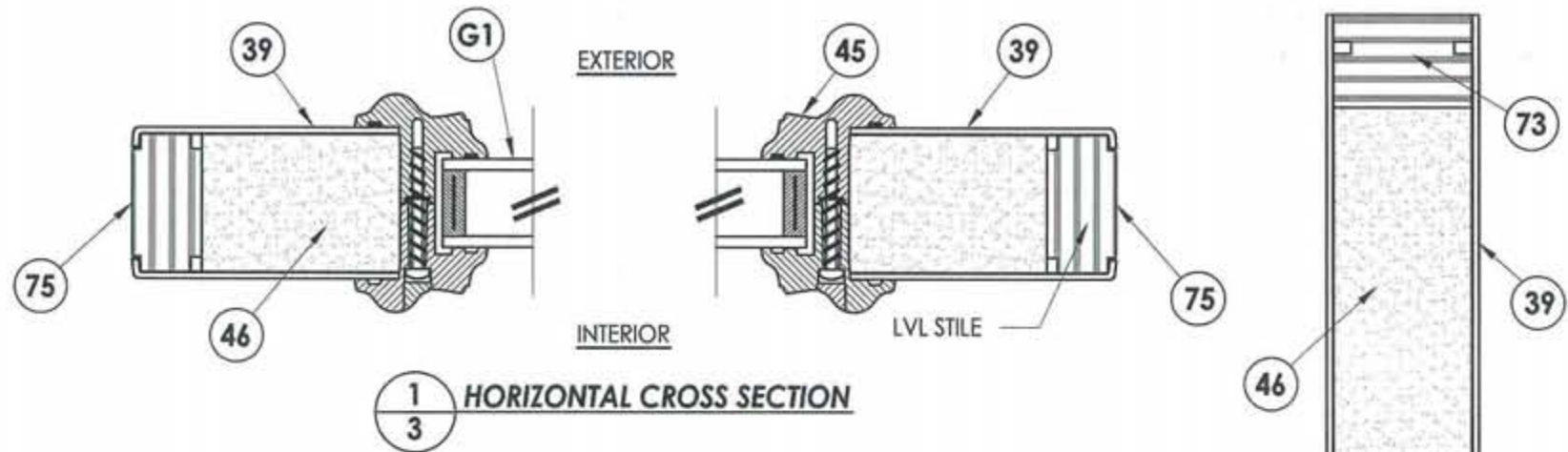
PART OR ASSEMBLY:  
 DOOR PANEL CONSTRUCTION  
 DETAILS AND GLAZING DETAILS

NO.	DATE	BY	REVISIONS
2	7/23/09	TDI	PRODUCT EVALUATION UPDATE
1	6/28/06	EW	REVISED LOCKSET NOMENCLATURE

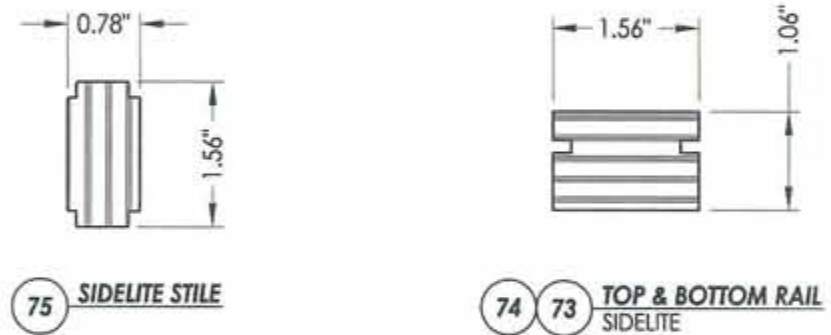
DATE: 8/26/05  
 SCALE: N.T.S.  
 DWG. BY: EW  
 CHK. BY: LFS  
 DRAWING NO.: TX-593  
 SHEET 2 OF 9



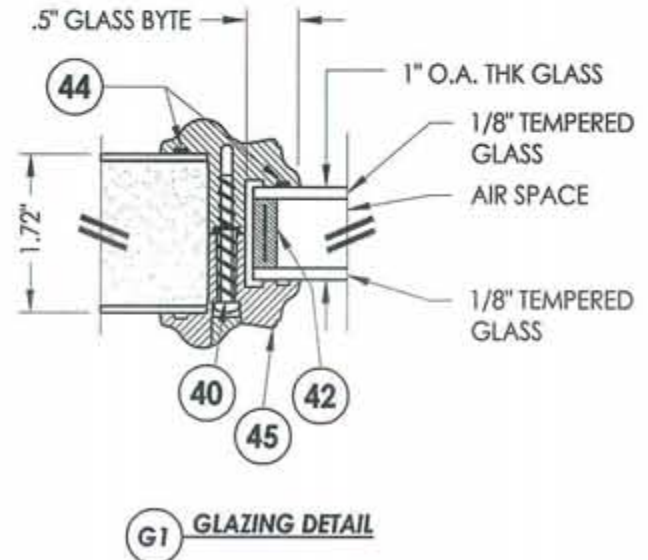
66 PREMIUM LIPLITE FIBERGLASS SIDELITE



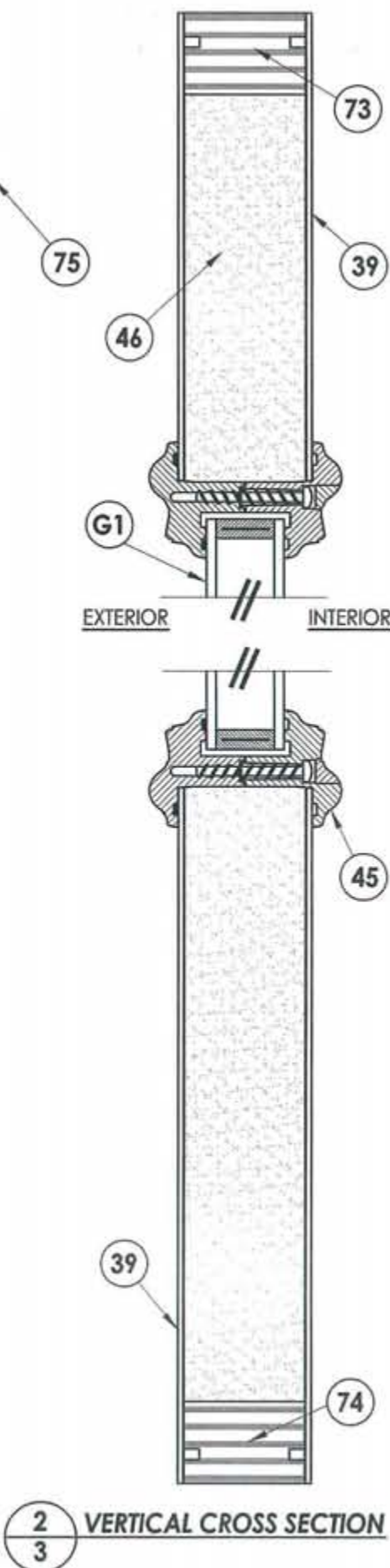
1/3 HORIZONTAL CROSS SECTION



75 SIDELITE STILE  
74 73 TOP & BOTTOM RAIL SIDELITE



G1 GLAZING DETAIL



2/3 VERTICAL CROSS SECTION



Documents Prepared By: Lyndon F. Schmidt, P.E.  
TEXAS P.E. #104123

**RW** BUILDING CONSULTANTS, INC.  
P.O. Box 230 Valrico FL 33595  
Phone No.: 813.659.9197

TEXAS BOARD OF PROFESSIONAL ENGINEERS  
CERTIFICATE OF REGISTRATION # F-11852

PRODUCT: TRINITY GLASS INT'L PREMIUM LIPLITE FIBERGLASS

PART OR ASSEMBLY: SIDELITE PANEL CONSTRUCTION DETAILS AND GLAZING DETAILS

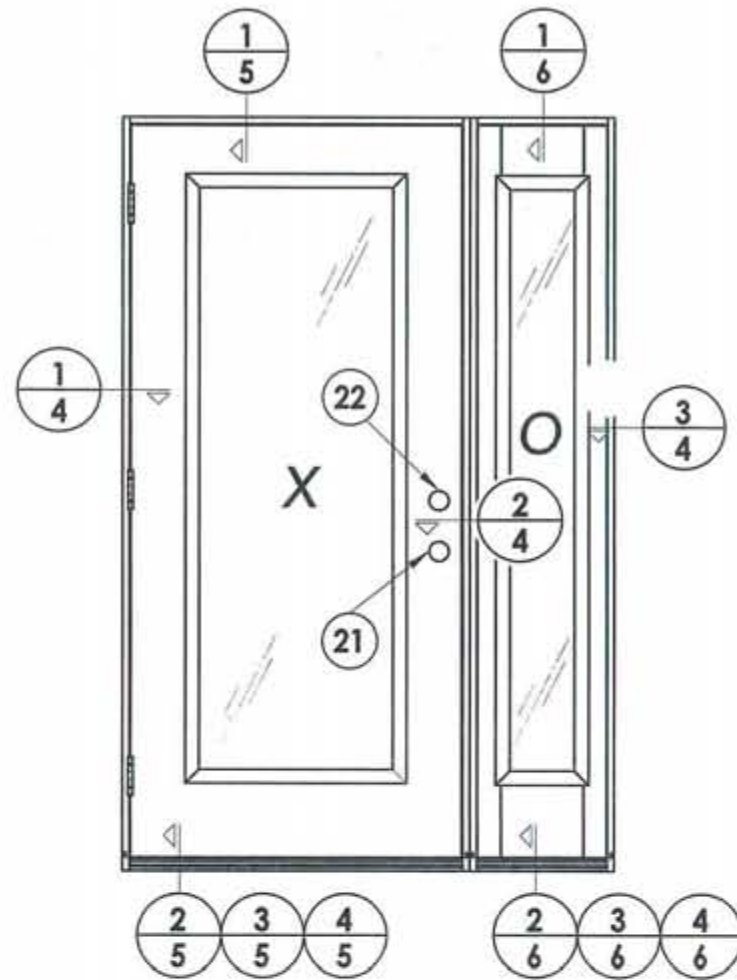
NO.	DATE	BY	REVISIONS
2	7/23/09	AL	TDI PRODUCT EVALUATION UPDATE
1	6/28/06	EW	REVISED LOCKSET NOMENCLATURE

DATE: 8/26/05  
SCALE: N.T.S.  
DWG. BY: EW  
CHK. BY: LFS  
DRAWING NO.: TX-593  
SHEET 3 of 9

R:\A - Projects\Project Folders\Proj 1101 - 1200\p1122\DWG - RWBC Drawings\TX-593\TX-593.dwg, 4

**NOTE:**

- Sidelite ass'y fastener: 6" from each end and 4 more screws equally spaced between (6 screws total per jamb).



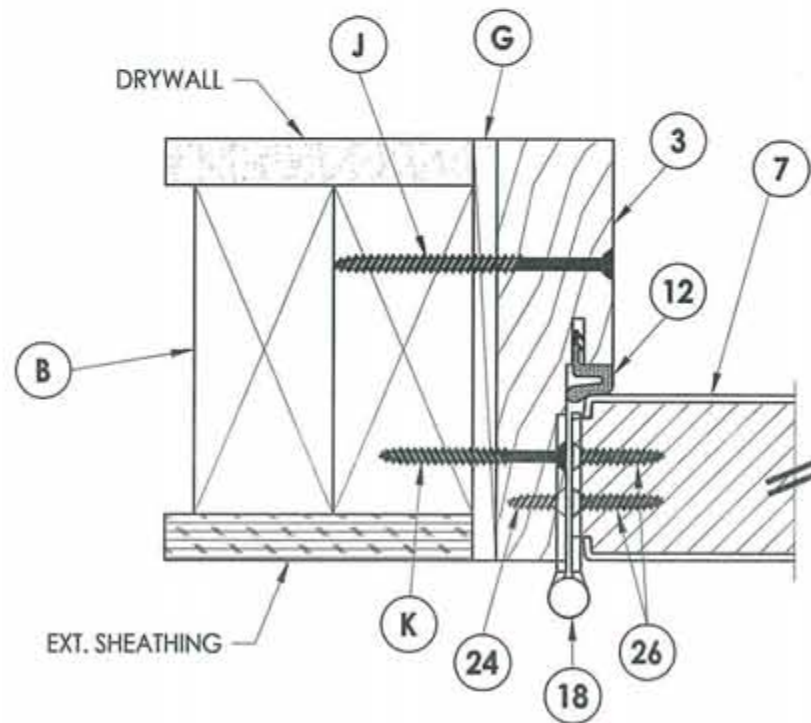
LOCK & DEADBOLT RATINGS CHART				
MANUFACTURER	MODEL	ITEM #	MAX. DESIGN PRESSURE (PSF)	
			POSITIVE	NEGATIVE
KWIKSET	LOCK: 740	21	+55.0	-55.0
	DEADBOLT: 780	22		
KWIKSET	LOCK: COMBO 660	21	+55.0	-55.0
	DEADBOLT: COMBO 660	22		
SCHLAGE	LOCK: MAX. SECURITY	21	+55.0	-55.0
	DEADBOLT: MAX. SECURITY	22		



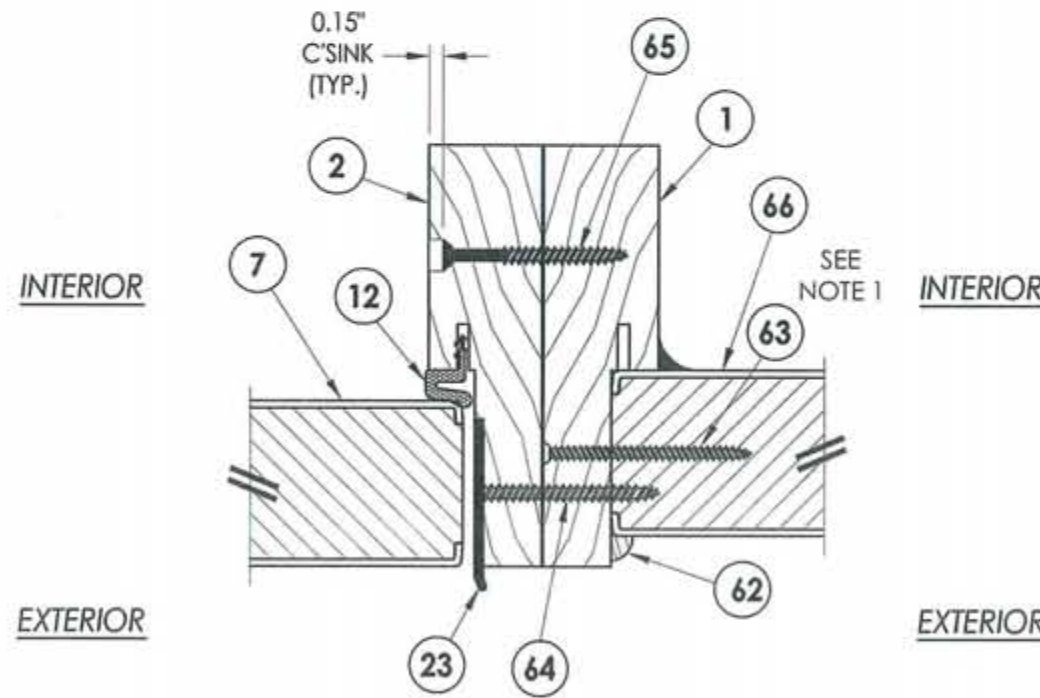
Documents Prepared By: Lyndon F. Schmidt, P.E.  
TEXAS P.E. #104123

**RW** BUILDING CONSULTANTS, INC.  
P.O. Box 230 Valrico FL 33595  
Phone No.: 813.659.9197

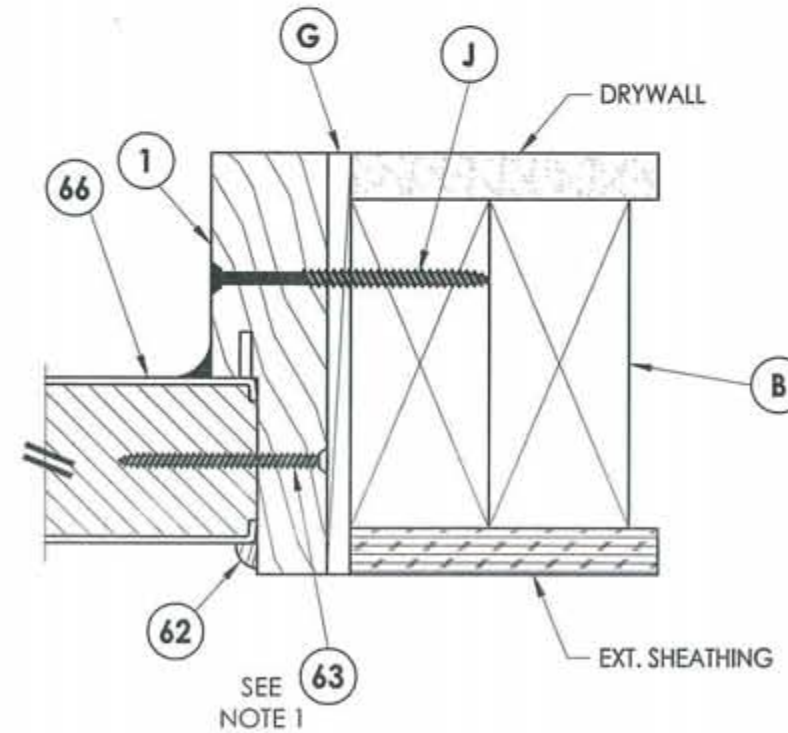
TEXAS BOARD OF PROFESSIONAL ENGINEERS  
CERTIFICATE OF REGISTRATION # F-11852



**1 HORIZONTAL CROSS SECTION**  
4 Outswing shown  
Inswing also approved



**2 HORIZONTAL CROSS SECTION**  
4 Inswing shown  
Outswing also approved

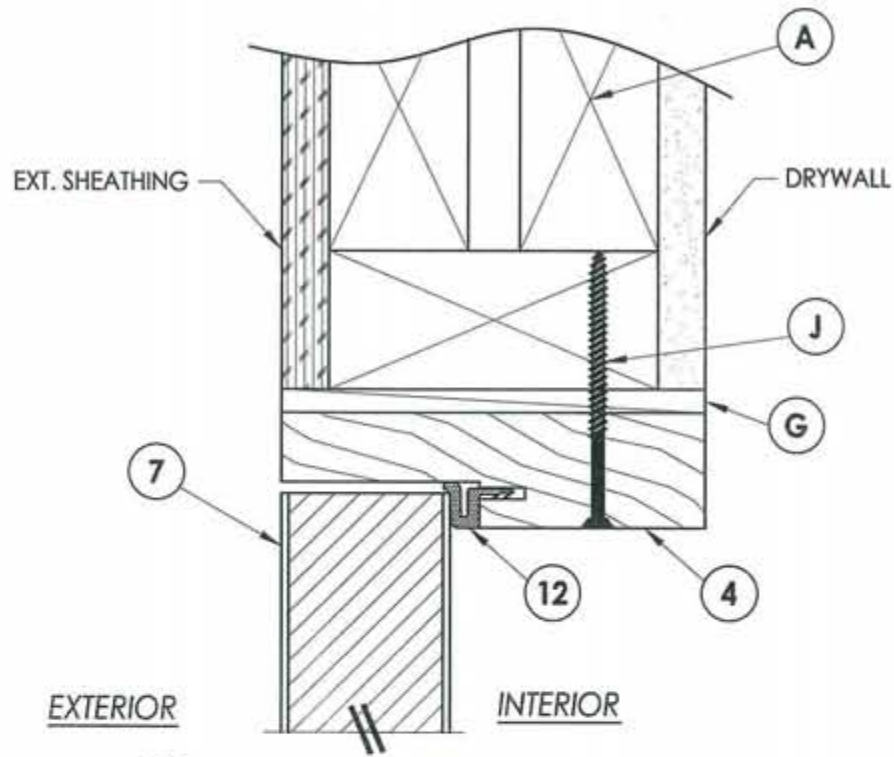


**3 HORIZONTAL CROSS SECTION**  
4 Outswing shown  
Inswing also approved

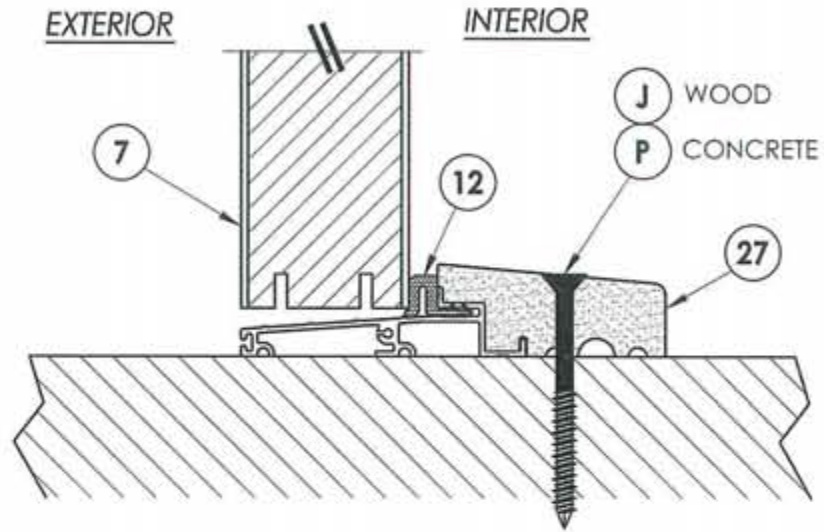
PRODUCT: TRINITY GLASS INT'L  
PREMIUM LIPLITE FIBERGLASS  
PART OR ASSEMBLY: HORIZONTAL CROSS SECTIONS

NO.	DATE	REVISIONS	BY
2	7/23/09	TDI PRODUCT EVALUATION UPDATE	AL
1	6/28/06	REVISED LOCKSET NOMENCLATURE	EW

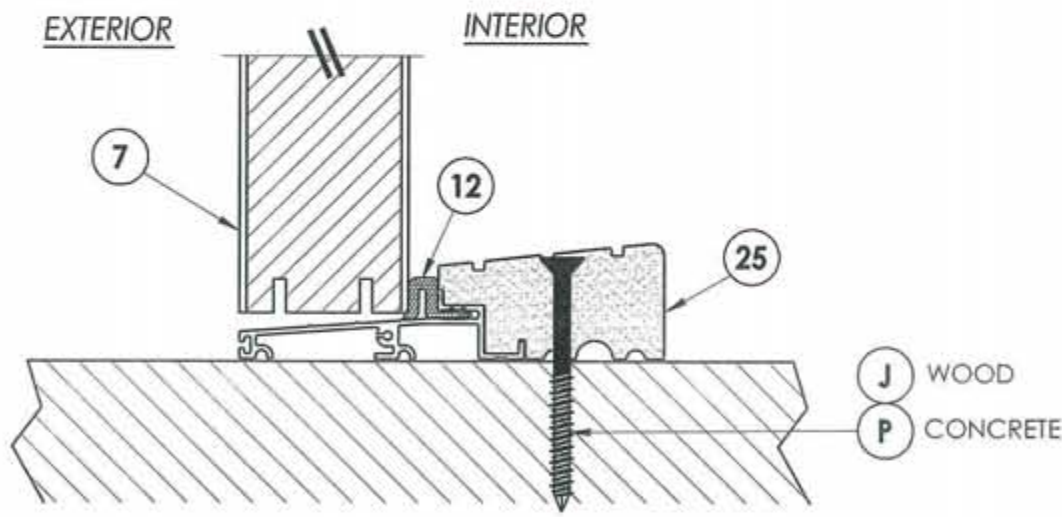
DATE: 8/26/05  
SCALE: N.T.S.  
DWG. BY: EW  
CHK. BY: LFS  
DRAWING NO.: TX-593  
SHEET 4 OF 9



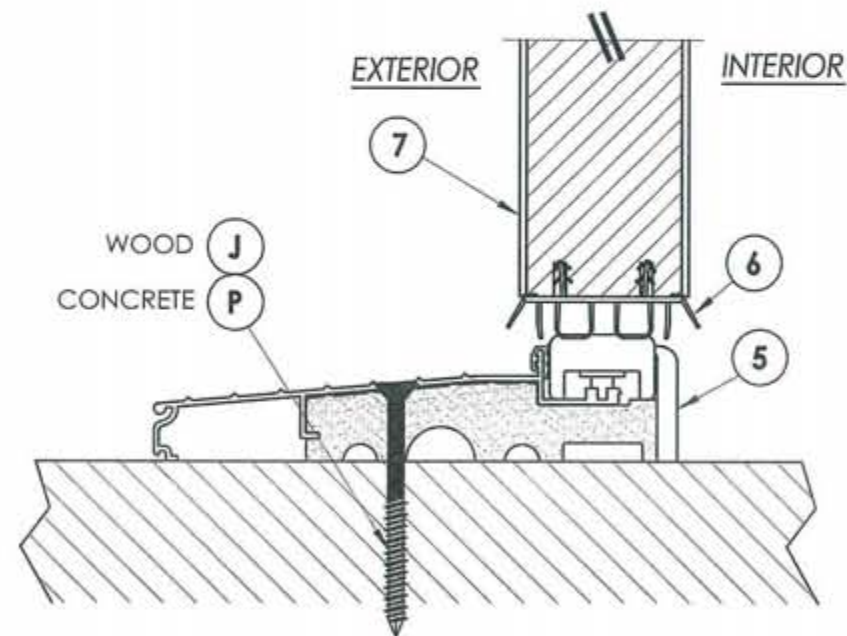
**1 VERTICAL CROSS SECTION**  
**5** Outswing shown  
 Inswing also approved



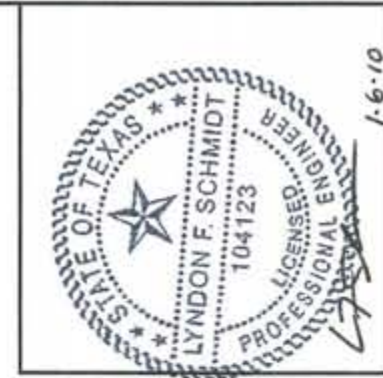
**2 VERTICAL CROSS SECTION**  
**5** Outswing configuration



**3 VERTICAL CROSS SECTION**  
**5** Outswing configuration



**4 VERTICAL CROSS SECTION**  
**5** Inswing configuration

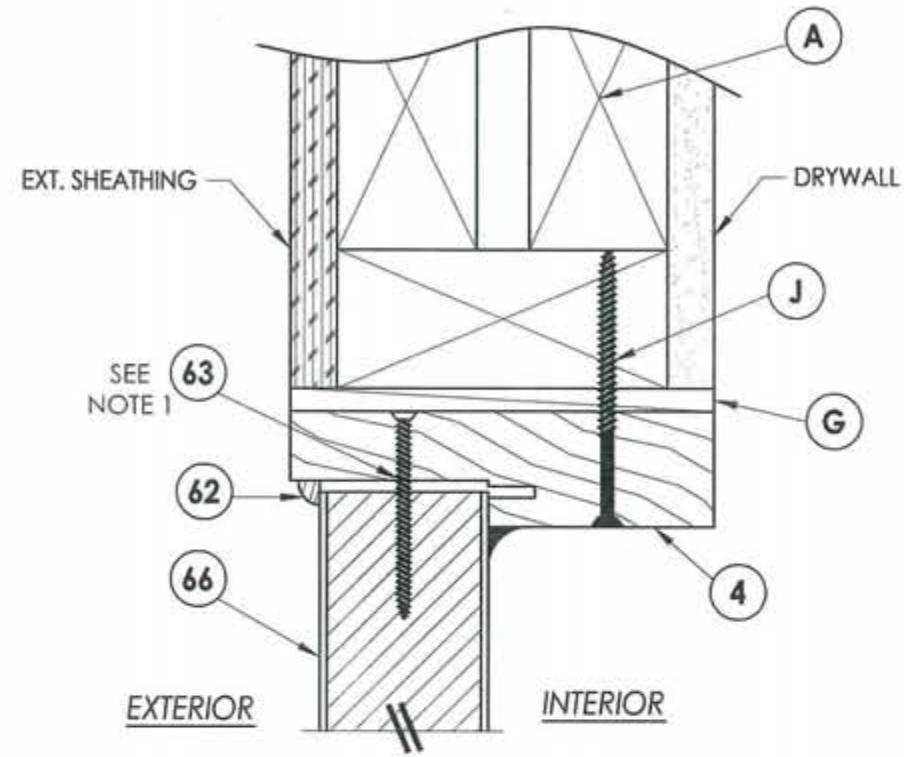


Documents Prepared By: Lyndon F. Schmidt, P.E.  
 TEXAS P.E. #104123  
 1-6-10  
**RW** BUILDING CONSULTANTS, INC.  
 P.O. Box 230 Valrico FL 33595  
 Phone No.: 813.659.9197  
 TEXAS BOARD OF PROFESSIONAL ENGINEERS  
 CERTIFICATE OF REGISTRATION # F-11852

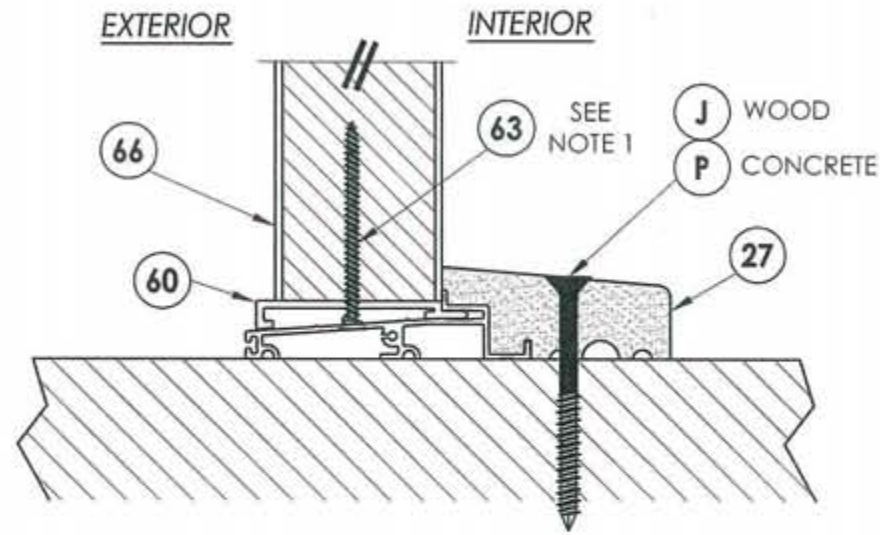
PRODUCT: TRINITY GLASS INT'L  
 PREMIUM LIPLITE FIBERGLASS  
 PART OR ASSEMBLY:  
 VERTICAL CROSS SECTIONS

NO.	DATE	REVISIONS
2	7/23/09	TDI PRODUCT EVALUATION UPDATE
1	6/28/06	REVISED LOCKSET NOMENCLATURE

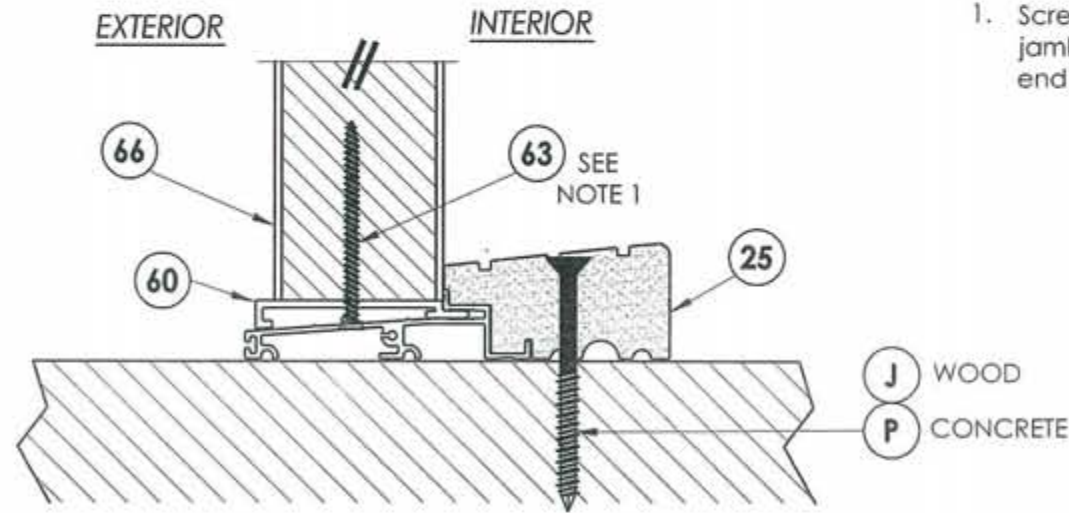
DATE: 8/26/05  
 SCALE: N.T.S.  
 DWG. BY: EW  
 CHK. BY: LFS  
 DRAWING NO.: TX-593  
 SHEET 5 OF 9



1  
6 VERTICAL CROSS SECTION



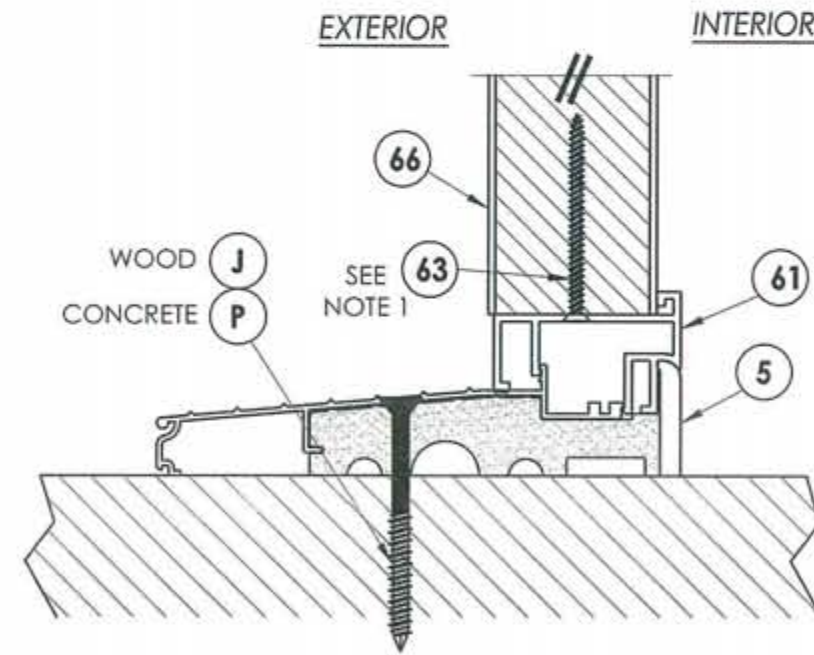
2  
6 VERTICAL CROSS SECTION  
Outswing sill



3  
6 VERTICAL CROSS SECTION  
Outswing sill - high dam

NOTE:

1. Screws thru head and sill jamb located 3" from each end and on center line.



4  
6 VERTICAL CROSS SECTION  
Inswing sill



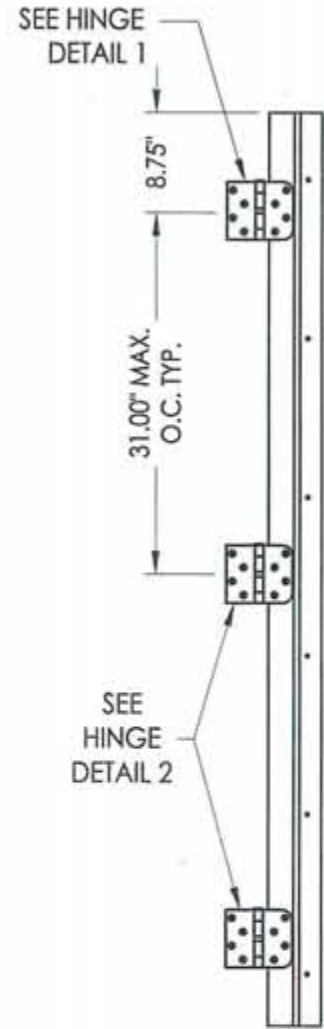
Documents Prepared By: Lyndon F. Schmidt, P.E.  
TEXAS P.E. #104123  
R.W. BUILDING CONSULTANTS, INC.  
P.O. Box 230 Volrico FL 33595  
Phone No.: 813.659.9197  
TEXAS BOARD OF PROFESSIONAL ENGINEERS  
CERTIFICATE OF REGISTRATION # F-11852

PRODUCT: TRINITY GLASS INT'L PREMIUM LIPLITE FIBERGLASS  
PART OR ASSEMBLY: VERTICAL CROSS SECTIONS

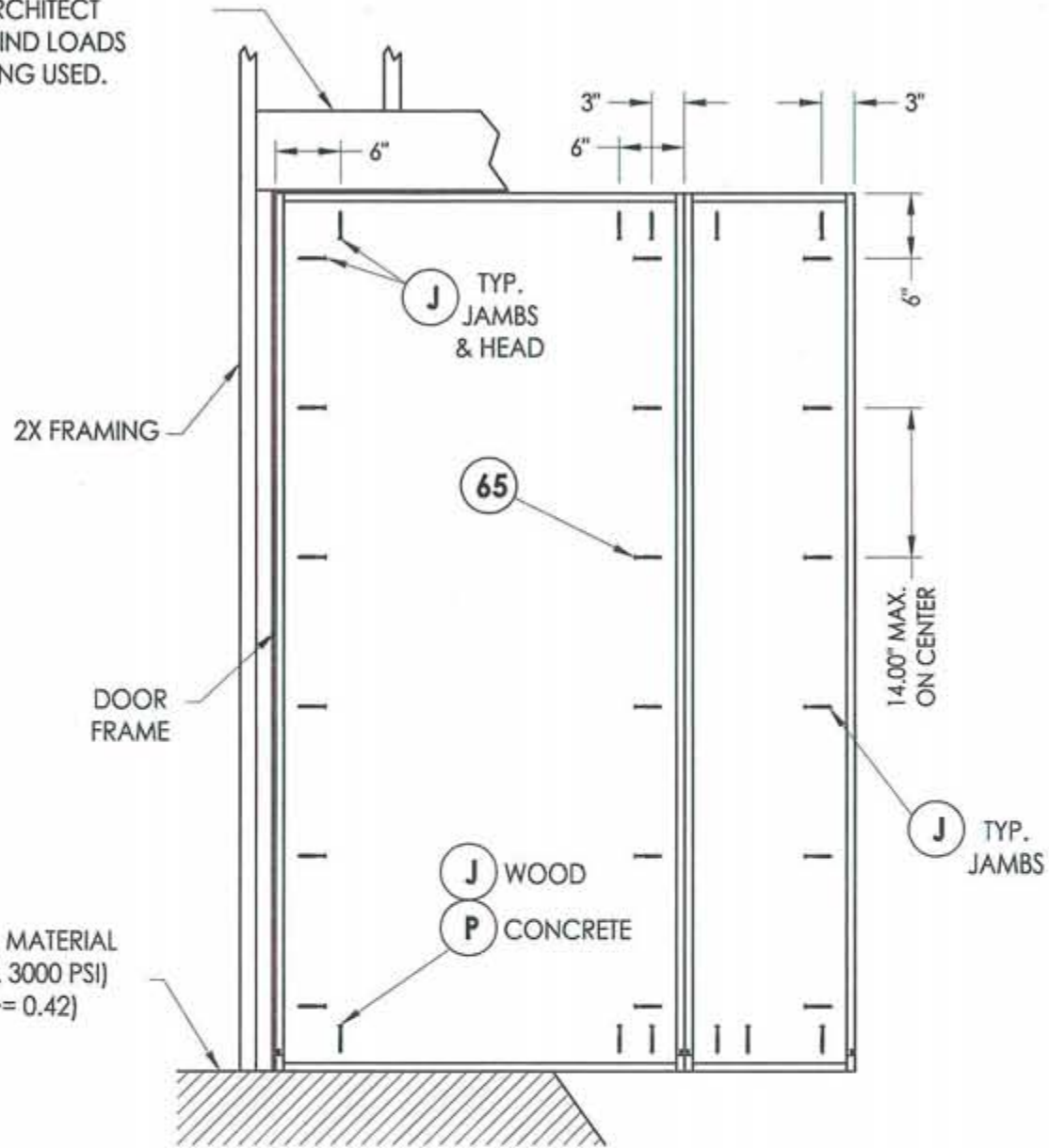
NO	DATE	REVISIONS
2	7/23/09	TDI PRODUCT EVALUATION UPDATE
1	6/28/06	REVISED LOCKSET NOMENCLATURE
		EW BY

DATE: 8/26/05  
SCALE: N.T.S.  
DWG. BY: EW  
CHK. BY: LFS  
DRAWING NO.: TX-593  
SHEET 6 OF 9

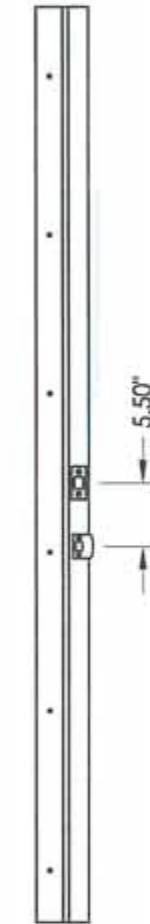
2X FRAMING TO BE DESIGNED BY THE ENGINEER OR ARCHITECT OF RECORD BASED ON WIND LOADS AND THE CLADDING BEING USED.



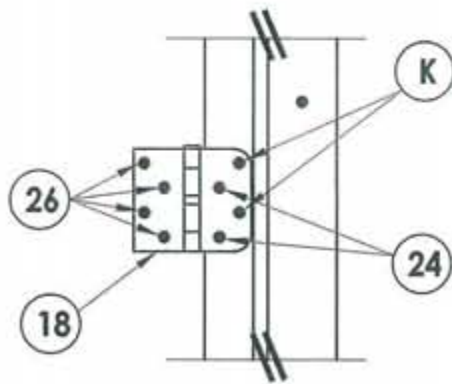
**HINGE JAMB**



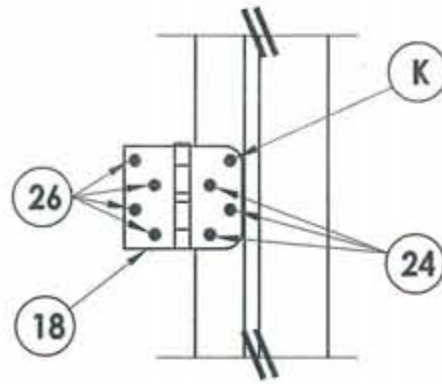
**FRAME ANCHORING**  
Stud construction



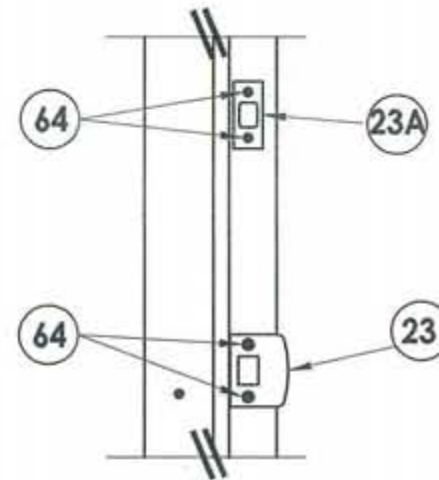
**STRIKE MULLION**



**HINGE DETAIL 1**



**HINGE DETAIL 2**



**STRIKE PLATE DETAIL**

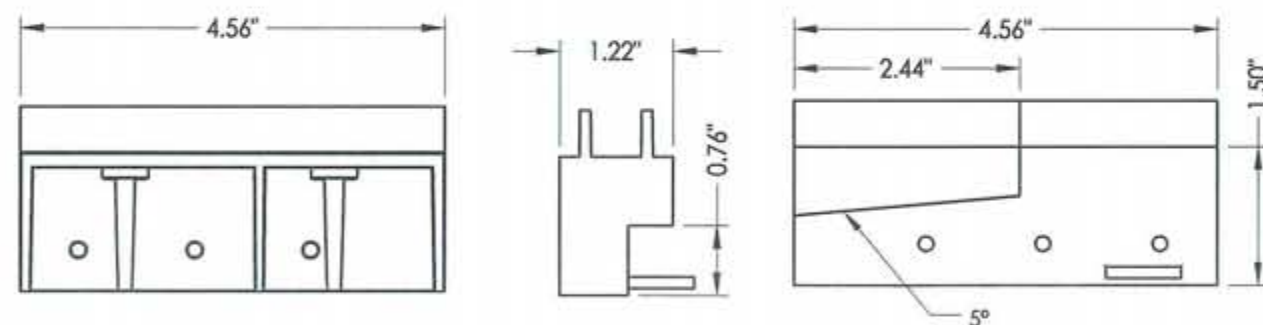
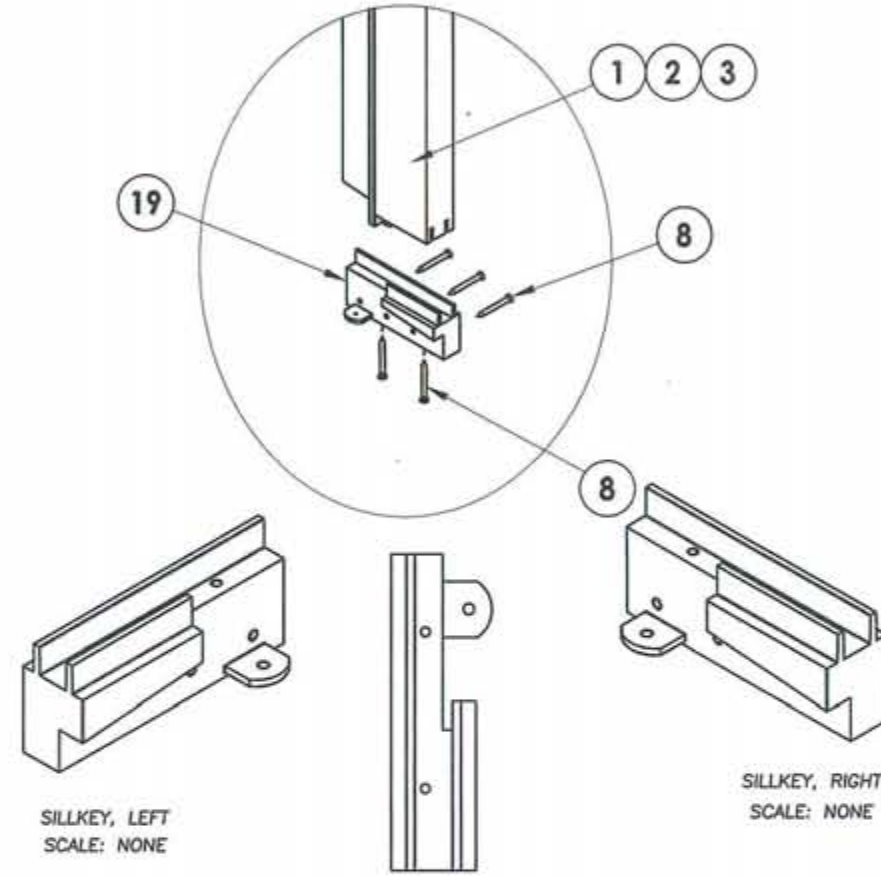
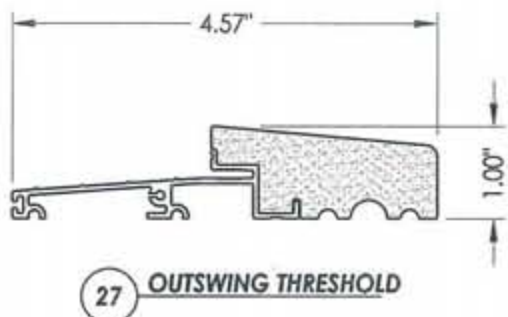
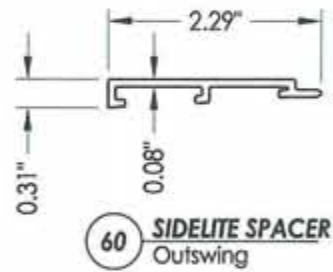
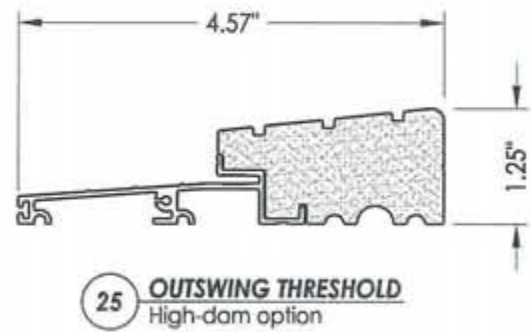
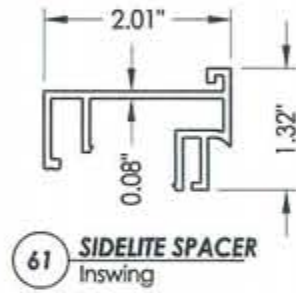
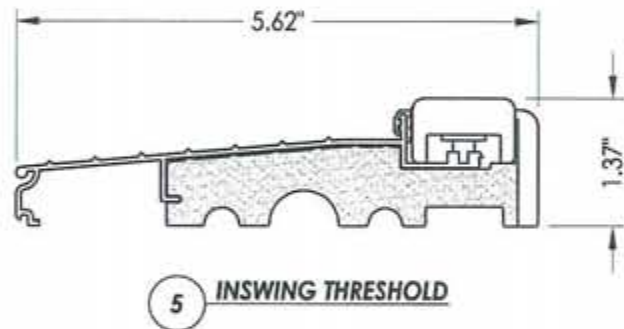
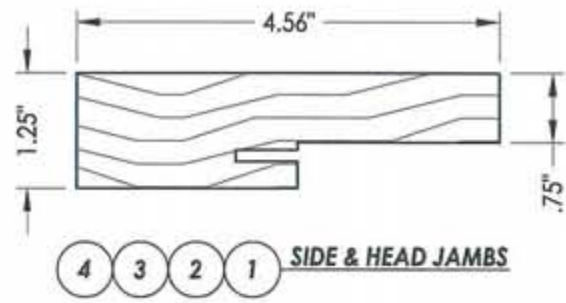
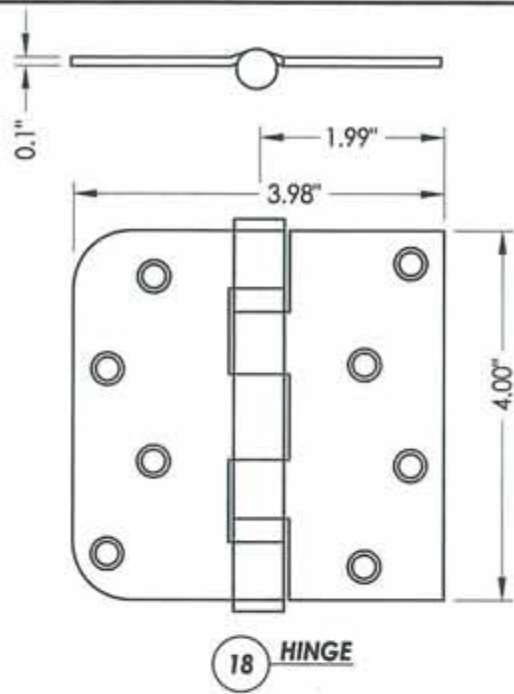


Documents Prepared By: Lyndon F. Schmidt, P.E.  
TEXAS P.E. #104123

**RW** BUILDING CONSULTANTS, INC.  
P.O. Box 230 Valrico FL, 33595  
Phone No.: 813.659.9197

TEXAS BOARD OF PROFESSIONAL ENGINEERS  
CERTIFICATE OF REGISTRATION # F-11852

PRODUCT:		TRINITY GLASS INT'L PREMIUM LIPLITE FIBERGLASS	
PART OR ASSEMBLY:		FRAME ANCHORING	
NO.	DATE	BY	REVISIONS
2	7/23/09	AL	TDI PRODUCT EVALUATION UPDATE
1	6/28/06	EW	REVISED LOCKSET NOMENCLATURE
DATE: 8/26/05			
SCALE: N.T.S.			
DWG. BY: EW			
CHK. BY: LFS			
DRAWING NO.: TX-593			
SHEET 7 OF 9			



Documents Prepared By: Lyndon F. Schmidt, P.E.  
TEXAS P.E. #104123

**RW** BUILDING CONSULTANTS, INC.  
P.O. Box 230 Veirico FL 33595  
Phone No.: 813.659.9197

TEXAS BOARD OF PROFESSIONAL ENGINEERS  
CERTIFICATE OF REGISTRATION # F-11852

PRODUCT: TRINITY GLASS INT'L PREMIUM LIPLITE FIBERGLASS

PART OR ASSEMBLY: COMPONENTS

NO.	DATE	BY	REVISIONS
2	7/23/09	AL	TDI PRODUCT EVALUATION UPDATE
1	6/28/06	EW	REVISED LOCKSET NOMENCLATURE

DATE: 8/26/05  
SCALE: N.T.S.  
DWG. BY: EW  
CHK. BY: LFS  
DRAWING NO.: TX-593  
SHEET 8 of 9



**CONCRETE ANCHOR NOTES:**

1. Substitution of equal concrete anchors from a different supplier may have different edge distance and center distance requirements.
2. Concrete anchor locations at the corners may be adjusted to maintain the min. edge distance to mortar joints. If concrete anchor locations noted as "MAX. ON CENTER" must be adjusted to maintain the min. edge distance to mortar joints, additional concrete anchors may be required to ensure the "MAX. ON CENTER" dimensions are not exceeded.
3. Concrete anchor table:

ANCHOR TYPE	ANCHOR SIZE	MIN. EMBEDMENT	MIN. CLEARANCE TO MASONRY EDGE	MIN. CLEARANCE TO ADJACENT ANCHOR
ITW	3/16"	1-3/4"	2-5/8"	2-1/4"
ELCO	3/16"	1-3/4"	1"	3"



Documents Prepared By: Lyndon F. Schmidt, P.E.  
TEXAS P.E. #104123

**RW** BUILDING CONSULTANTS, INC.  
P.O. Box 230 Valrico FL 33595  
Phone No.: 813.659.9197

TEXAS BOARD OF PROFESSIONAL ENGINEERS  
CERTIFICATE OF REGISTRATION # F-11852

**BILL OF MATERIALS**

ITEM	DESCRIPTION	MATERIAL	ITEM	DESCRIPTION	MATERIAL
A	2X HEADER FRAMING SG >= 0.42	WOOD	26	#9 X 1" PFH SCREW	STEEL
B	2X FRAMING SG >= 0.42	WOOD	27	OUTSWING THRESHOLD ALUMINUM W/ COMPOSITE SUBSTRATE	ALUM./ COMP.
G	MAX. 1/4" SHIM SPACE	WOOD	30	LATCH STILE - SG >= 0.42	LVL/PVC
J	#10 X 3" PFH WS	STEEL	31	LVL LOCK BLOCK	POPLAR
K	#9 X 2" PFH WS	STEEL	32	HINGE STILE - SG >= 0.42	LVL/PVC
P	3/16" X 2-3/4" ELCO OR ITW PFH CONCRETE SCREW	STEEL	33	TOP RAIL - POPLAR LVL & WPC COMBINATION	POPLAR/WPC
1	SIDELITE JAMB - FINGER-JOINT PINE - SG >= 0.42	WOOD	34	BOTTOM RAIL - POPLAR LVL & WPC COMBINATION	POPLAR/WPC
2	STRIKE JAMB - FINGER-JOINT PINE - SG >= 0.42	WOOD	39	FIBERGLASS SKIN 0.079" MIN. THICKNESS (Fy = 5,203 PSI MIN.)	FIBERGLASS
3	HINGE JAMB - FINGER-JOINT PINE - SG >= 0.42	WOOD	40	#8 X 1-1/8" SELF THREADING SCREW	STEEL
4	HEAD - FINGER-JOINT PINE - SG >= 0.42	WOOD	42	ALUMINUM & BUTYL SPACER SYSTEM	ALUM./BUTYL
5	INSWING THRESHOLD ALUMINUM W/ COMPOSITE SUBSTRATE	ALUMINUM	44	HOT MELT SEALANT / SILICONE	-
6	DOOR BOTTOM SWEEP	PVC	45	LITE FRAME	PC/ASA
7	DOOR PANEL - SEE DOOR PANEL DETAIL SHEET FOR CONSTRUCTION DETAILS	-	46	FOAM CORE	POLYURETHANE
8	#6 X 1-1/4" PFH DRYWALL SCREW	STEEL	60	SIDELITE SPACER - OUTSWING	PVC
12	WEATHER STRIP QEBD650 Q-LON	-	61	SIDELITE SPACER - INSWING	PVC
18	3.983" X 4.0" HINGE MIN 0.098" THICK	STEEL	62	QUARTER ROUND	WOOD
19	SILLKEY	PC/ASA	63	#8 X 2-1/4" PFH SCREW	STEEL
21	LOCK (SEE LOCK & DEADBOLT RATINGS CHART)	STEEL	64	#8 X 2" PFH SCREW	STEEL
22	DEADBOLT (SEE LOCK & DEADBOLT RATINGS CHART)	STEEL	65	#10 X 2" PFH SCREW	STEEL
23	STRIKE PLATE	STEEL	66	SIDELITE PANEL - SEE SIDELITE PANEL DETAIL SHEET FOR CONSTRUCTION DETAILS	-
23A	DEADBOLT PLATE	STEEL	73	LVL SIDELITE TOP RAIL (FULL LITE)	POPLAR
24	#9 X 5/8" PFH SCREW	STEEL	74	LVL SIDELITE BOTTOM RAIL (FULL LITE)	POPLAR
25	OUTSWING HIGH-DAM THRESHOLD ALUMINUM W/ COMPOSITE SUBSTRATE	ALUM./ COMP.	75	LVL SIDELITE STILE (FULL LITE)	POPLAR

PRODUCT: TRINITY GLASS INT'L PREMIUM LIPLITE FIBERGLASS

PART OR ASSEMBLY: BILL OF MATERIALS

NO.	DATE	REVISIONS
2	7/23/09	TDI PRODUCT EVALUATION UPDATE
1	6/28/06	REVISED LOCKSET NOMENCLATURE

DATE: 8/26/05

SCALE: N.T.S.

DWG. BY: EW

CHK. BY: LFS

DRAWING NO.: TX-593

SHEET 9 OF 9