

6'0 X 6'8 GLAZED PREMIUM FIBERGLASS DOUBLE DOOR INSWING / OUTSWING "NON-IMPACT"

EVALUATED FOR USE IN THE STATE OF TEXAS

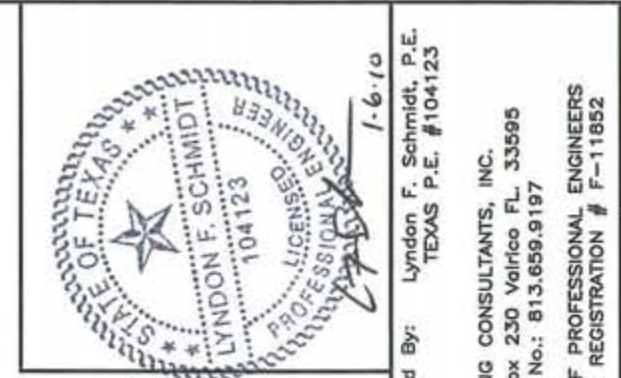
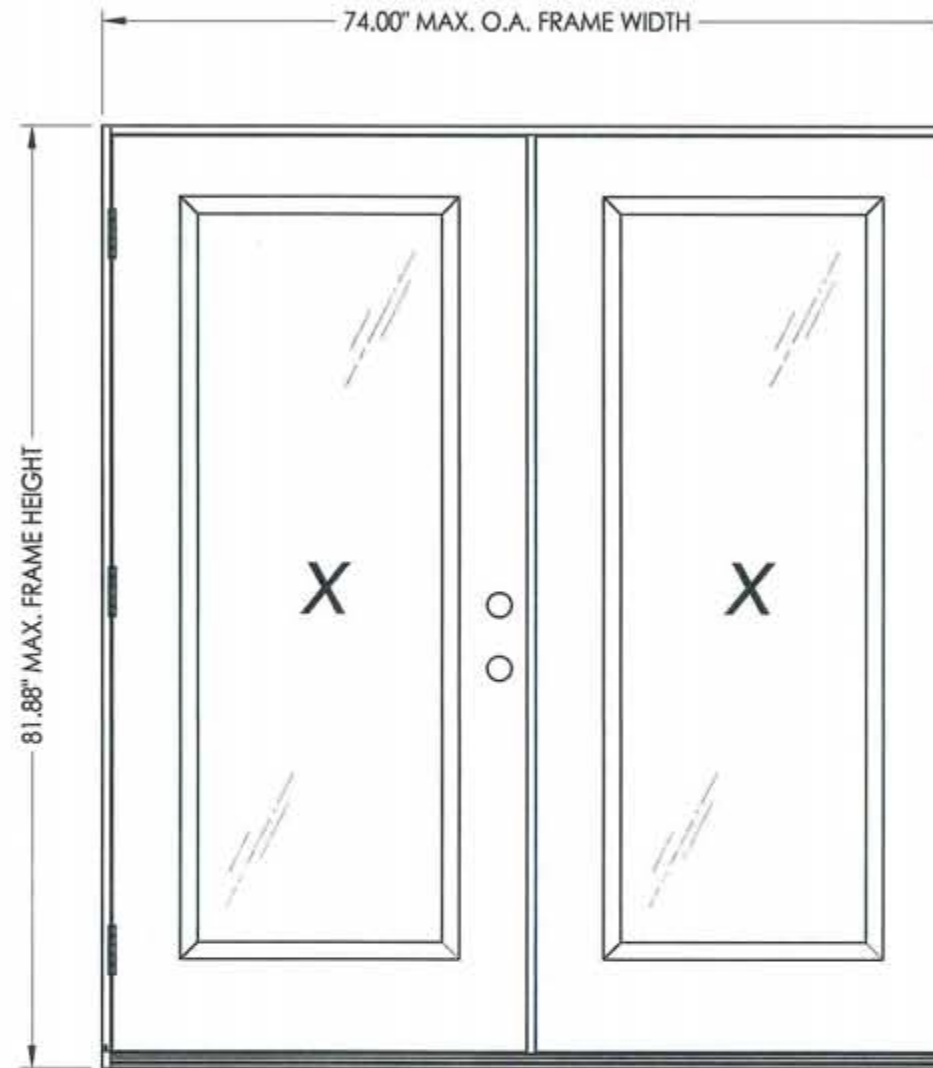
The Trinity Glazed Premium Fiberglass Double Door described herein complies with the 2006 International Residential Code (IRC), Sections R301 & R613 and the 2006 International Building Code (IBC), Sections 1405.12, 1609, 1714.5, 2403 and 2404 (including Texas revisions) subject to the following conditions:

1. Anchors shall be as listed and spaced as shown in the details. Anchor embedment to base material shall be beyond wall dressing or stucco.
2. When used in areas requiring wind-borne debris protection this product is required to be protected with an impact resistant covering that complies with Section R301.2.1.2 of the IRC and Section 1609.1.2 of the IBC.
3. Allowable design pressure requirements must be equal to or less than the design pressure rating shown in the design pressure chart, sheet 1 of this drawing.
4. Conditions not covered by this drawing are subject to further engineering analysis.

SUPPORTING DOCUMENTS & EVIDENCE

1. Testing per ASTM E330-02 as performed by Testing Evaluation Laboratories Inc. and reported in test report numbers TEL 08-01370020, TEL 06-0223-3 and TEL 05-0411-4, signed by Wendell W. Haney, P.E.
2. Calculations (Anchoring and Glass load resistance report ASTM E1300-04) prepared by Lyndon F. Schmidt, P.E.
3. Certificate of Participation issued by the National Accreditation and Management Institute, Inc., certifying that Trinity Glass Int'l is manufacturing products within a Quality Assurance program.

TABLE OF CONTENTS	
SHEET #	DESCRIPTION
1	Typical elevations, design pressures & general notes
2	Door panel construction details & glazing details
3	Horizontal cross sections
4	Vertical cross sections
5	Frame anchoring
6	Components
7	Endura astragal details
8	TRC astragal details
9	PVC astragal details
10	Columbia astragal details
11	Bill of materials



Documents Prepared By: Lyndon F. Schmidt, P.E.
TEXAS P.E. #104123

RW BUILDING CONSULTANTS, INC.
P.O. Box 230 Valrico FL 33595
Phone No.: 813.659.9197

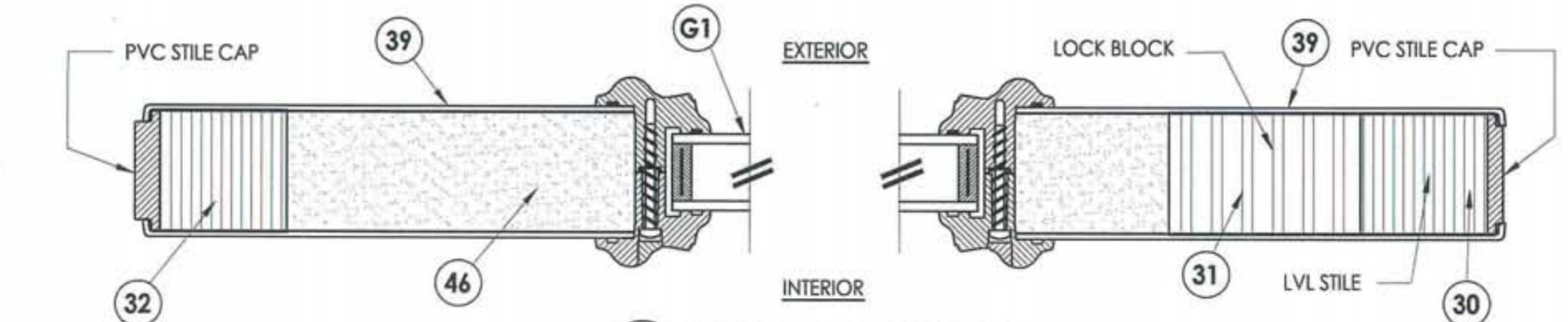
TEXAS BOARD OF PROFESSIONAL ENGINEERS
CERTIFICATE OF REGISTRATION # F-11852

PRODUCT: TRINITY GLASS INT'L PREMIUM LIPLITE FIBERGLASS
PART OR ASSEMBLY: TYPICAL ELEVATION, DESIGN PRESSURES & GENERAL NOTES

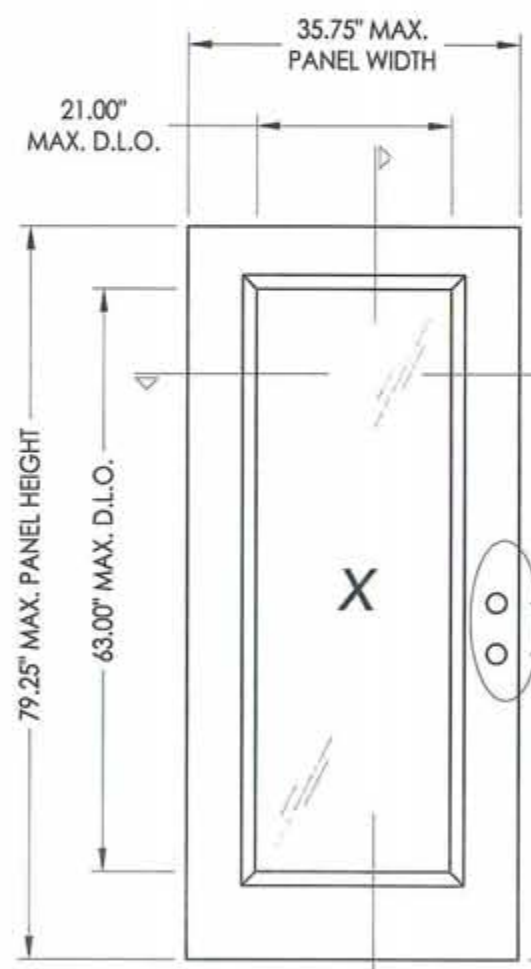
NO.	DATE	BY	REVISIONS
2	7/23/09	AL	TDI PRODUCT EVALUATION UPDATE
1	6/28/06	EW	REVISED LOCKSET NOMENCLATURE

DATE: 8/26/05
SCALE: N.T.S.
DWG. BY: EW
CHK. BY: LFS
DRAWING NO.: TX-592
SHEET 1 OF 11

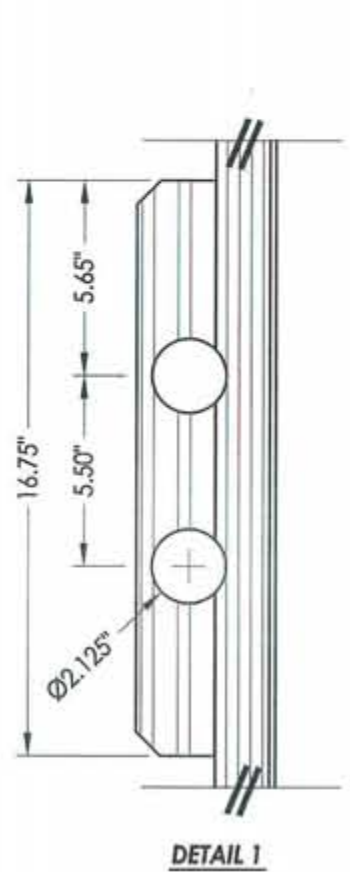
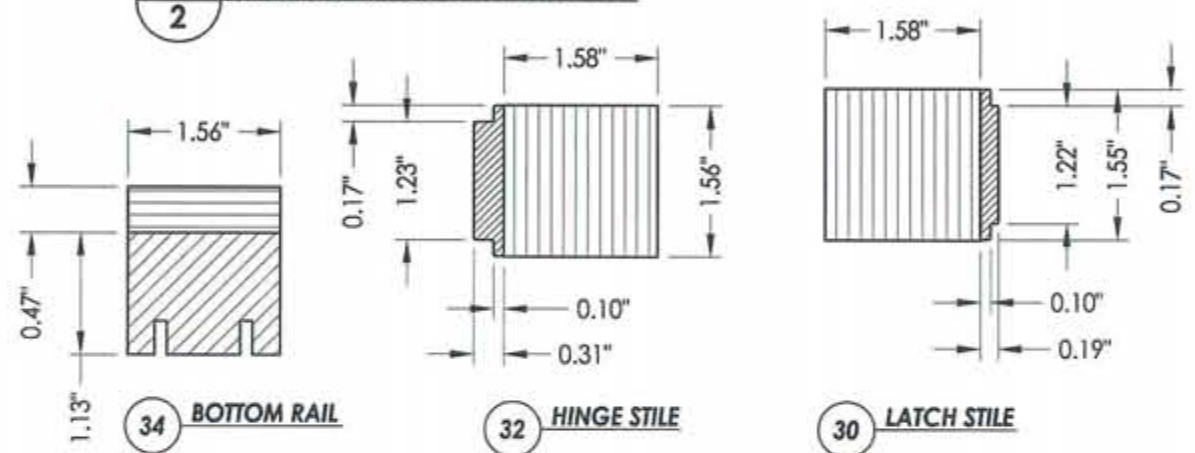
ASTRAGAL TYPE	SWING	MAX. FRAME DIMENSION	GLASS TYPE	DESIGN PRESSURE PSF)	
				POSITIVE	NEGATIVE
ENDURA	INSWING	74.00" x 81.88"	G1	+45.0	-50.0
	OUTSWING	74.00" x 80.75"		+45.0	-45.0
TRC	INSWING	74.00" x 81.88"	G1	+65.0	-65.0
	OUTSWING	74.00" x 80.75"		+65.0	-65.0
PVC	INSWING	74.00" x 81.88"	G1	+43.0	-47.0
	OUTSWING	74.00" x 80.75"		+43.0	-43.0
COLUMBIA	OUTSWING	74.00" x 80.75"	G1	+50.0	-50.0



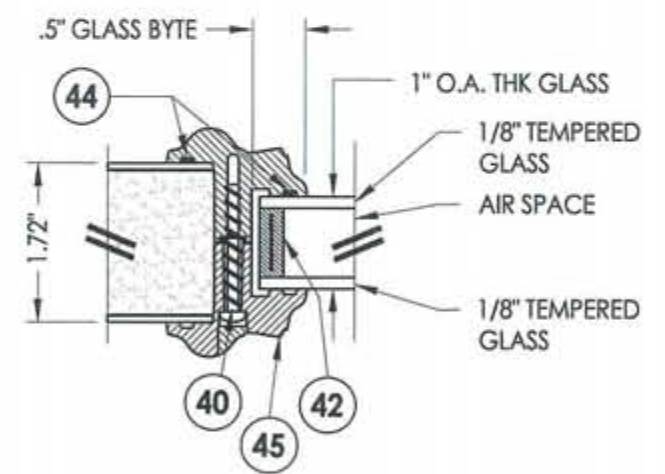
1
2 HORIZONTAL CROSS SECTION



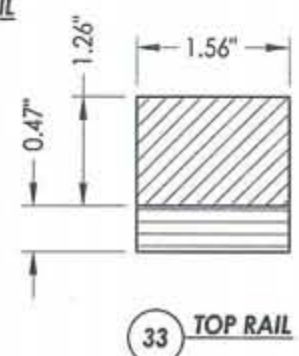
7 PREMIUM LIPLITE FIBERGLASS DOOR



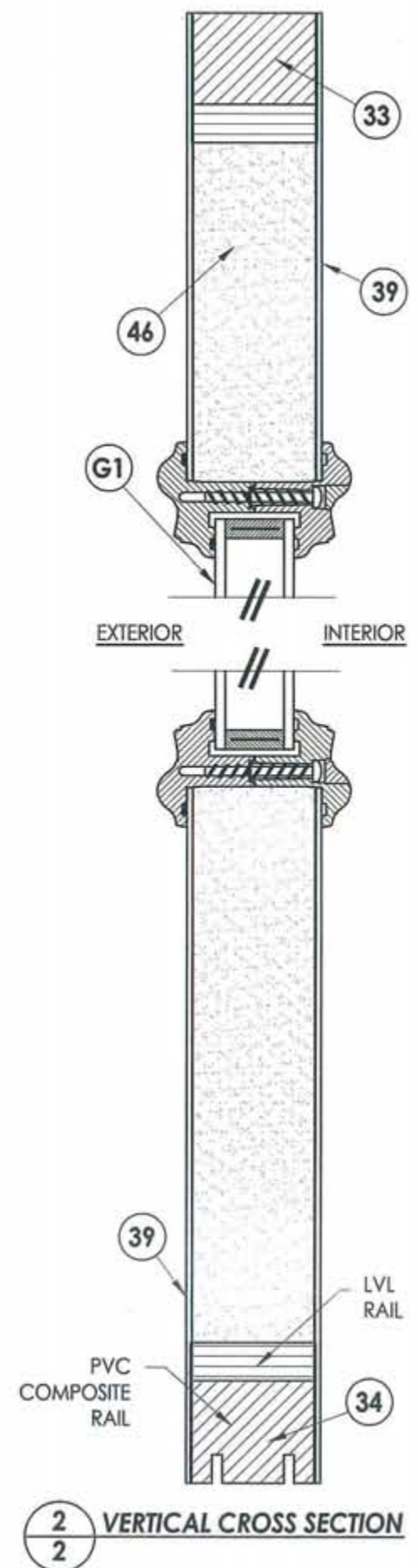
DETAIL 1



G1 GLAZING DETAIL



33 TOP RAIL



2
2 VERTICAL CROSS SECTION



Documents Prepared By: Lyndon F. Schmidt, P.E.
TEXAS P.E. #104123

RW BUILDING CONSULTANTS, INC.
P.O. Box 230 Valrico FL, 33595
Phone No.: 813.659.9197

TEXAS BOARD OF PROFESSIONAL ENGINEERS
CERTIFICATE OF REGISTRATION # F-11852

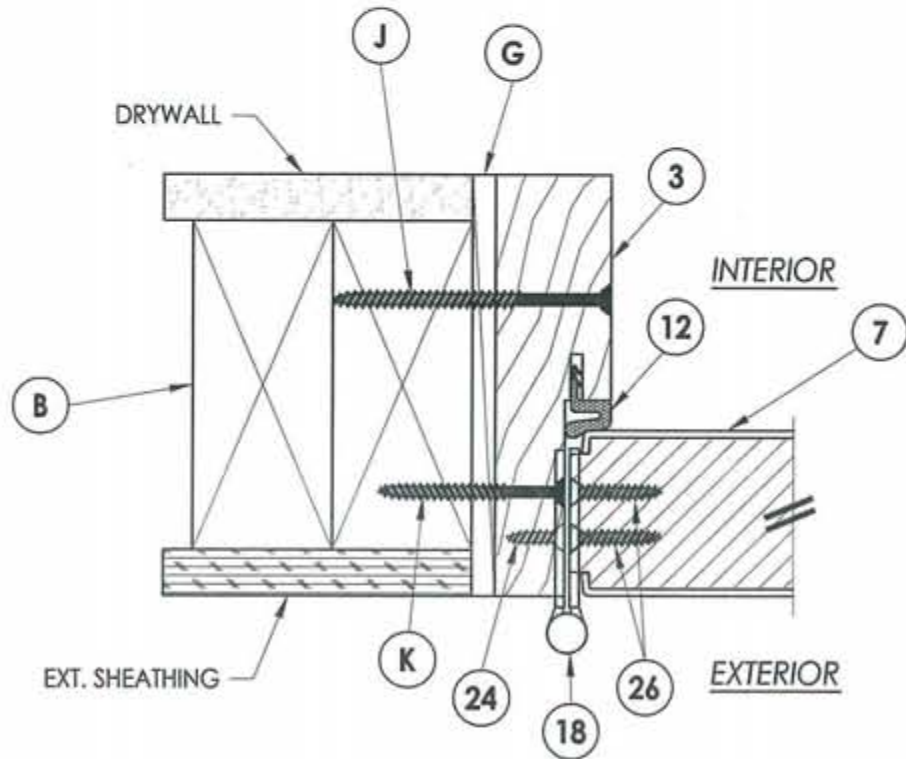
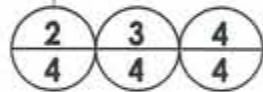
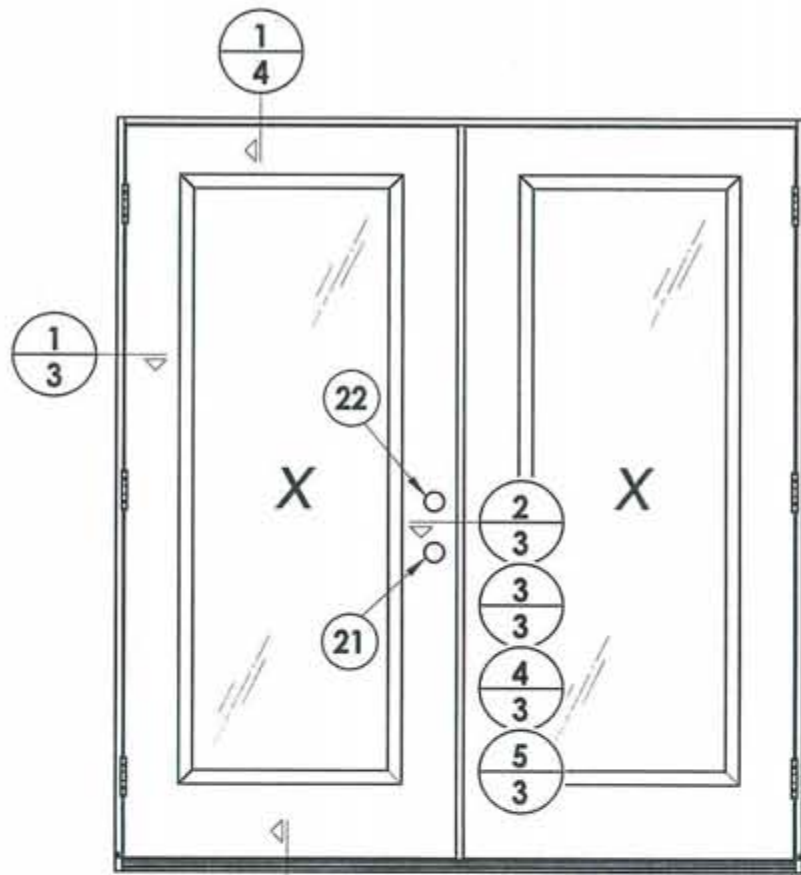
PRODUCT: TRINITY GLASS INT'L PREMIUM LIPLITE FIBERGLASS

PART OR ASSEMBLY: DOOR PANEL CONSTRUCTION DETAILS AND GLAZING DETAILS

NO.	DATE	BY	REVISIONS
2	7/23/09	AL	TDI PRODUCT EVALUATION UPDATE
1	6/28/06	EW	REVISED LOCKSET NOMENCLATURE

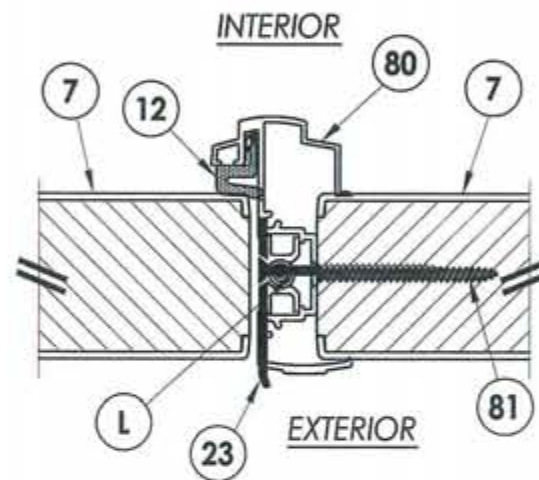
DATE: 8/26/05
SCALE: N.T.S.
DWG. BY: EW
CHK. BY: LFS
DRAWING NO.: TX-592
SHEET 2 OF 11

R:\A - Projects\Project Folders\Proj 1101 - 1200\pf1122\DWG - RWBC Drawings\TX-592\TX-592.dwg, 3

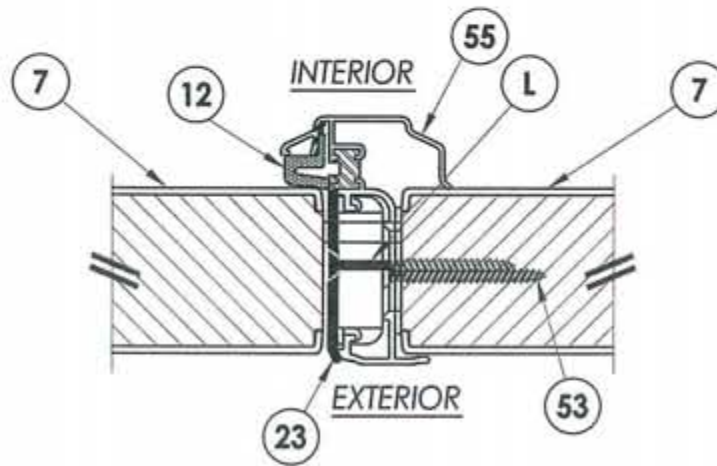


1 HORIZONTAL CROSS SECTION
3 Outswing shown
 Inswing also approved

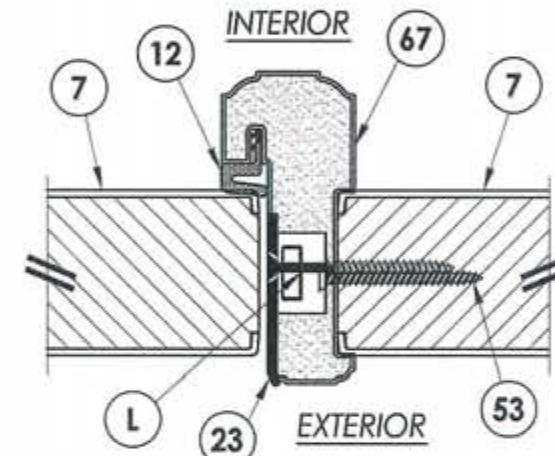
LOCK & DEADBOLT RATINGS CHART				
MANUFACTURER	MODEL	ITEM #	MAX. DESIGN PRESSURE (PSF)	
			POSITIVE	NEGATIVE
Kwikset	LOCK: 740	21	+65.0	-65.0
	DEADBOLT: 780	22		
Kwikset	LOCK: COMBO 660	21	+65.0	-65.0
	DEADBOLT: COMBO 660	22		
Schlage	LOCK: MAX. SECURITY	21	+60.0	-60.0
	DEADBOLT: MAX. SECURITY	22		



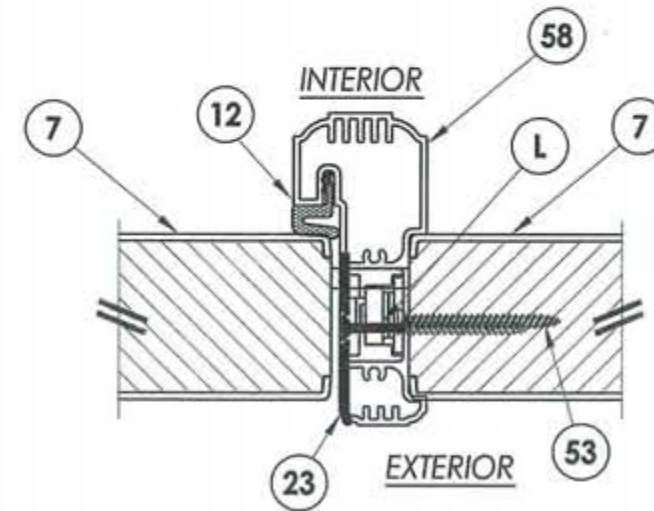
5 HORIZONTAL CROSS SECTION
3 Columbia astragal



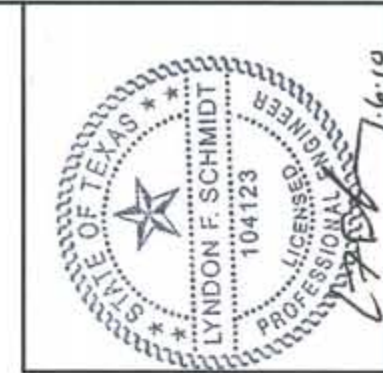
2 HORIZONTAL CROSS SECTION
3 Endura astragal



4 HORIZONTAL CROSS SECTION
3 PVC astragal



3 HORIZONTAL CROSS SECTION
3 TRC astragal

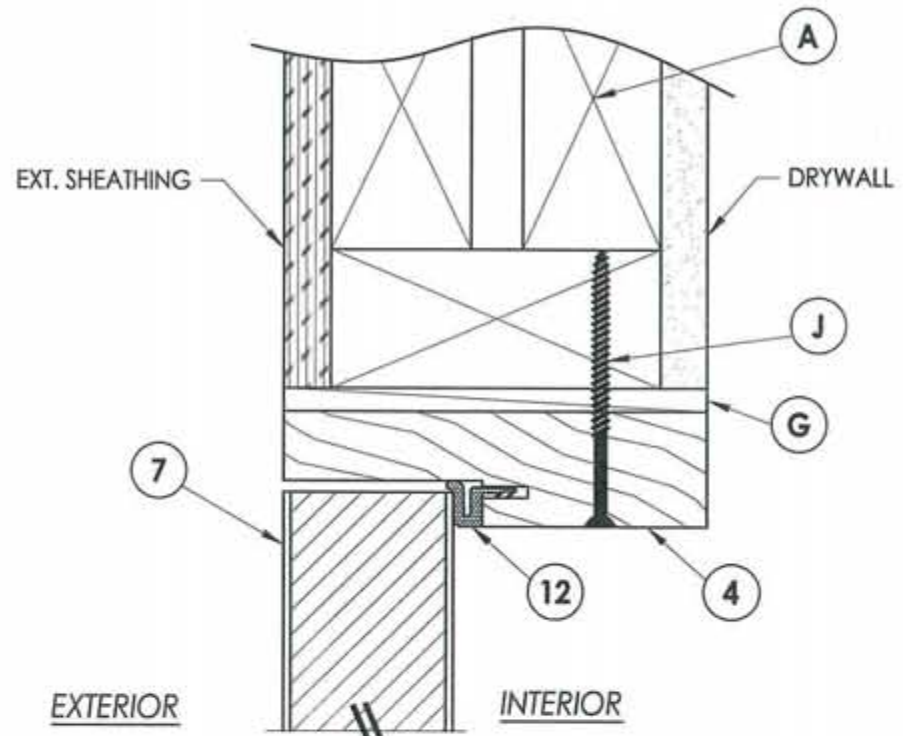


Documents Prepared By: Lyndon F. Schmidt, P.E.
 TEXAS P.E. #104123
 R.W. BUILDING CONSULTANTS, INC.
 P.O. Box 230 Valrico FL 33595
 Phone No.: 813.659.9197
 TEXAS BOARD OF PROFESSIONAL ENGINEERS
 CERTIFICATE OF REGISTRATION # F-11852

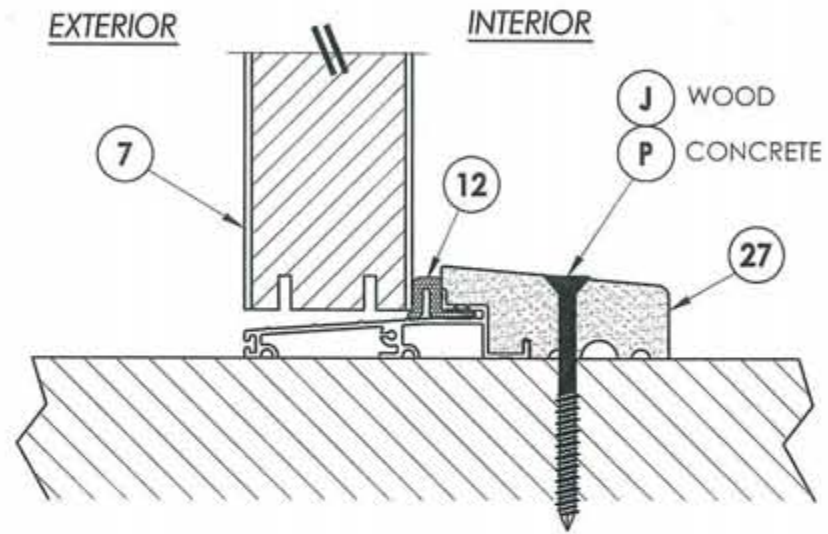
PRODUCT: TRINITY GLASS INT'L PREMIUM LIPLITE FIBERGLASS
 PART OR ASSEMBLY: HORIZONTAL CROSS SECTIONS

NO.	DATE	REVISIONS
2	7/23/09	TDI PRODUCT EVALUATION UPDATE
1	6/28/06	REVISED LOCKSET NOMENCLATURE

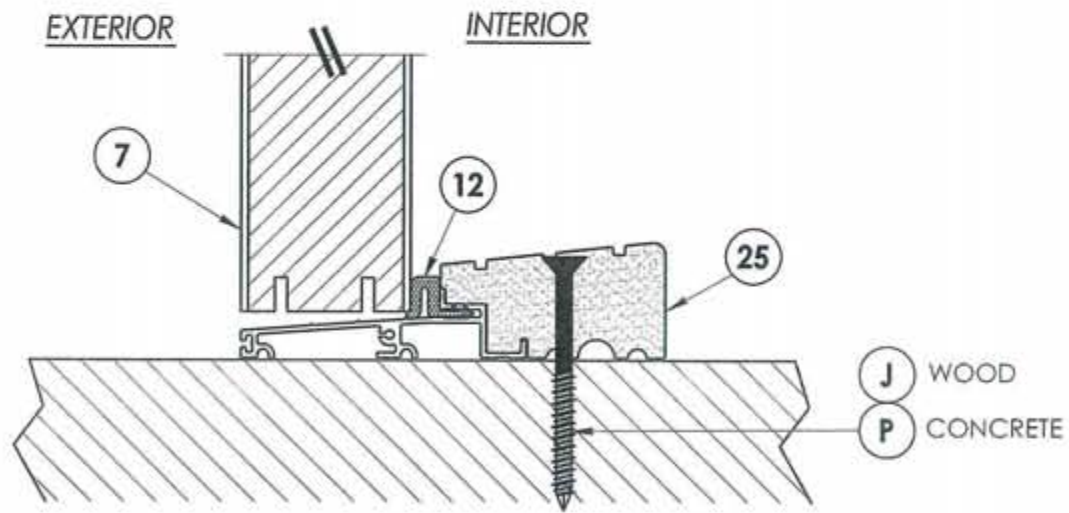
DATE: 8/26/05
 SCALE: N.T.S.
 DWG. BY: EW
 CHK. BY: LFS
 DRAWING NO.: TX-592
 SHEET 3 of 11



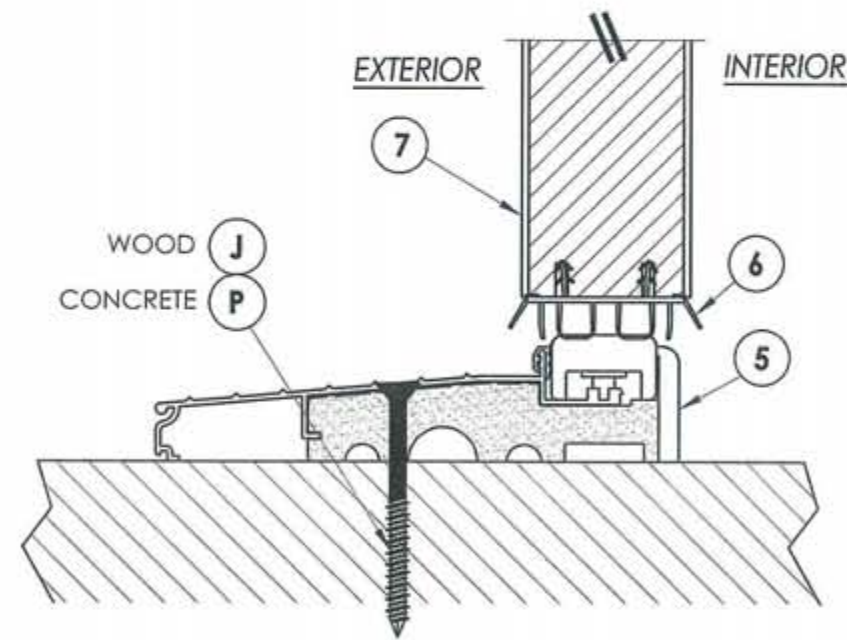
1 VERTICAL CROSS SECTION
4 Outswing shown
 Inswing also approved



2 VERTICAL CROSS SECTION
4 Outswing configuration



3 VERTICAL CROSS SECTION
4 Outswing configuration



4 VERTICAL CROSS SECTION
4 Inswing configuration



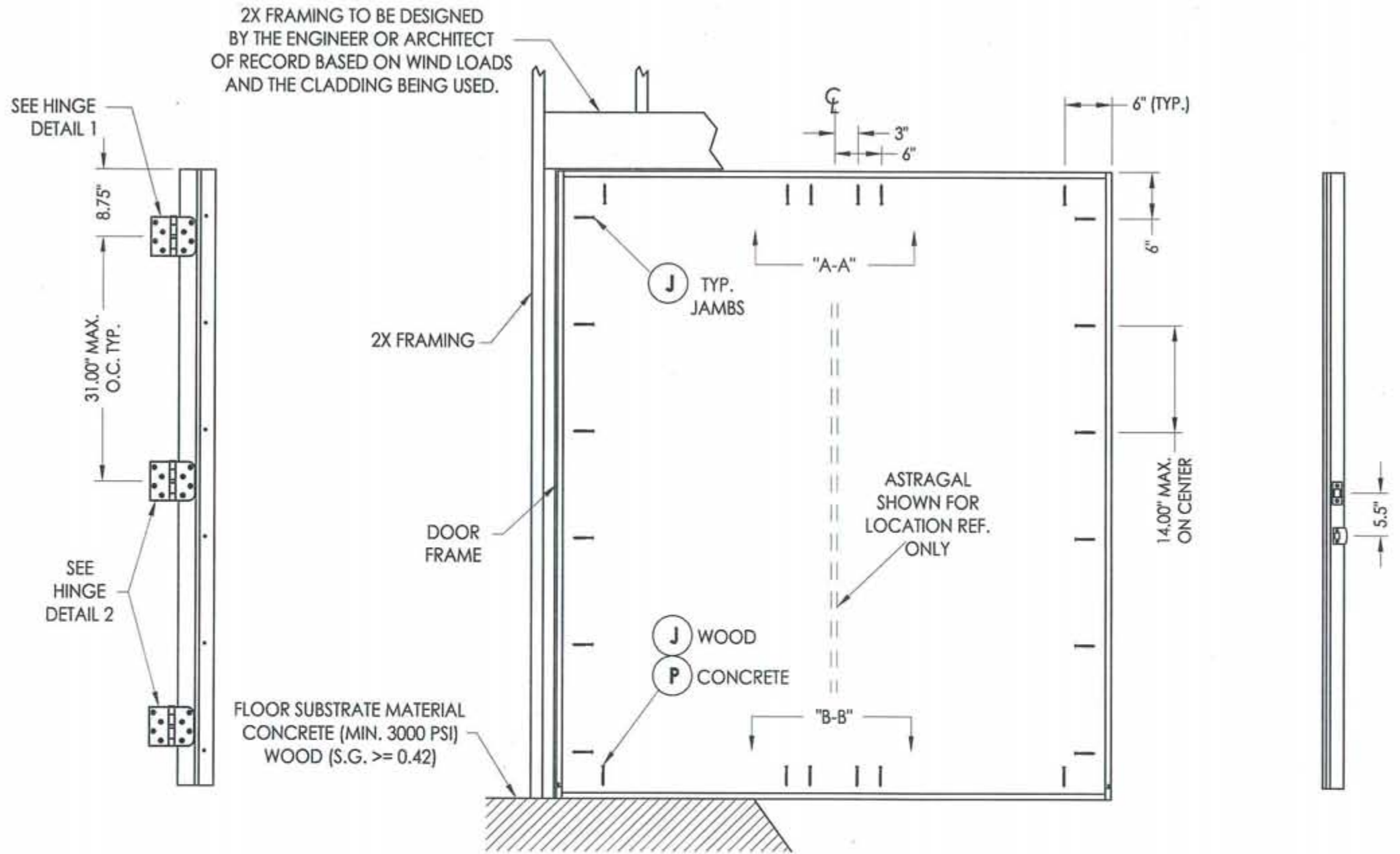
Documents Prepared By: Lyndon F. Schmidt, P.E.
 TEXAS P.E. #104123
 R.W. BUILDING CONSULTANTS, INC.
 P.O. Box 230 Valrico FL, 33595
 Phone No.: 813.659.9197
 TEXAS BOARD OF PROFESSIONAL ENGINEERS
 CERTIFICATE OF REGISTRATION # F-11852

PRODUCT: TRINITY GLASS INT'L
 PREMIUM LIPUTE FIBERGLASS
 PART OR ASSEMBLY:
 VERTICAL CROSS SECTIONS

NO.	DATE	REVISIONS
2	7/23/09	TDI PRODUCT EVALUATION UPDATE
1	6/28/06	REVISED LOCKSET NOMENCLATURE

DATE: 8/26/05
 SCALE: N.T.S.
 DWG. BY: EW
 CHK. BY: LFS
 DRAWING NO.: TX-592
 SHEET 4 OF 11

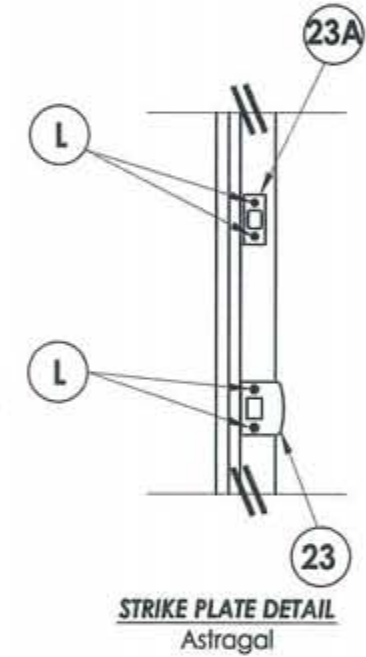
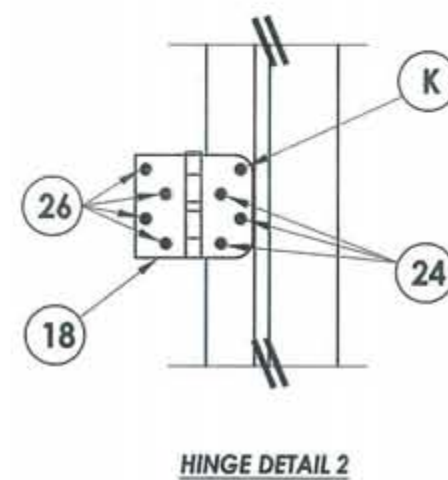
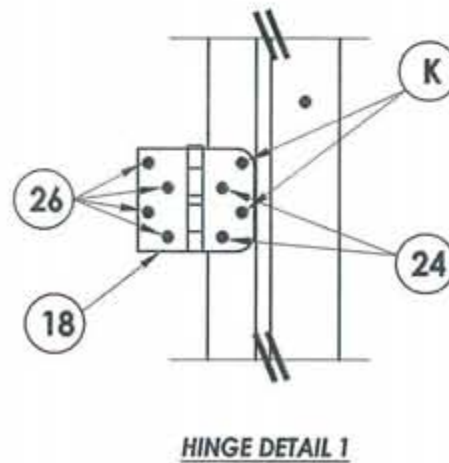
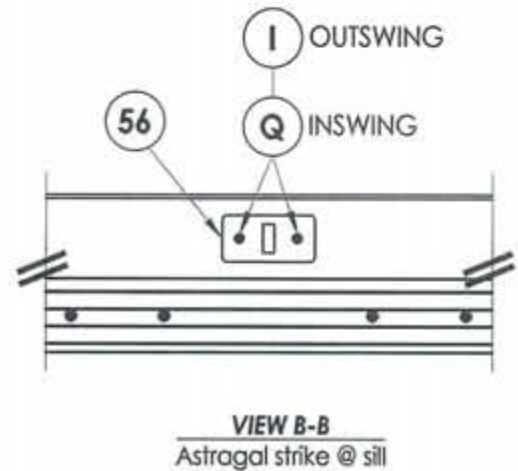
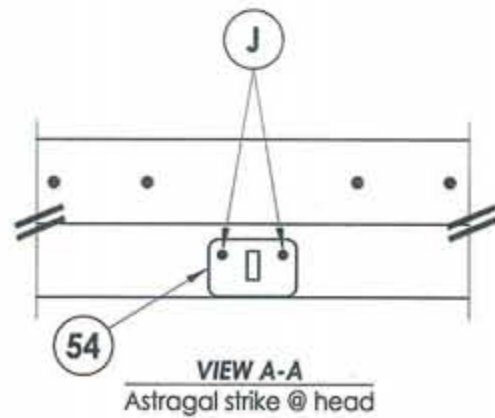
R:\A - Projects\Project Folders\Proj 1101 - 1200\pf1122\1D. RWBC Drawings\TX-592\TX-592.dwg, 5



HINGE JAMB

FRAME ANCHORING
Stud construction

ASTRAGAL STRIKE



Documents Prepared By: Lyndon F. Schmidt, P.E.
TEXAS P.E. #104123

RW BUILDING CONSULTANTS, INC.
P.O. Box 230 Valrico FL 33595
Phone No.: 813.659.9197

TEXAS BOARD OF PROFESSIONAL ENGINEERS
CERTIFICATE OF REGISTRATION # F-11852

PRODUCT: TRINITY GLASS INT'L PREMIUM LITE FIBERGLASS

PART OR ASSEMBLY: FRAME ANCHORING

NO.	DATE	REVISIONS
2	7/23/09	TDI PRODUCT EVALUATION UPDATE
1	6/28/06	REVISED LOCKSET NOMENCLATURE
		AL
		EW
		BY

DATE: 8/26/05

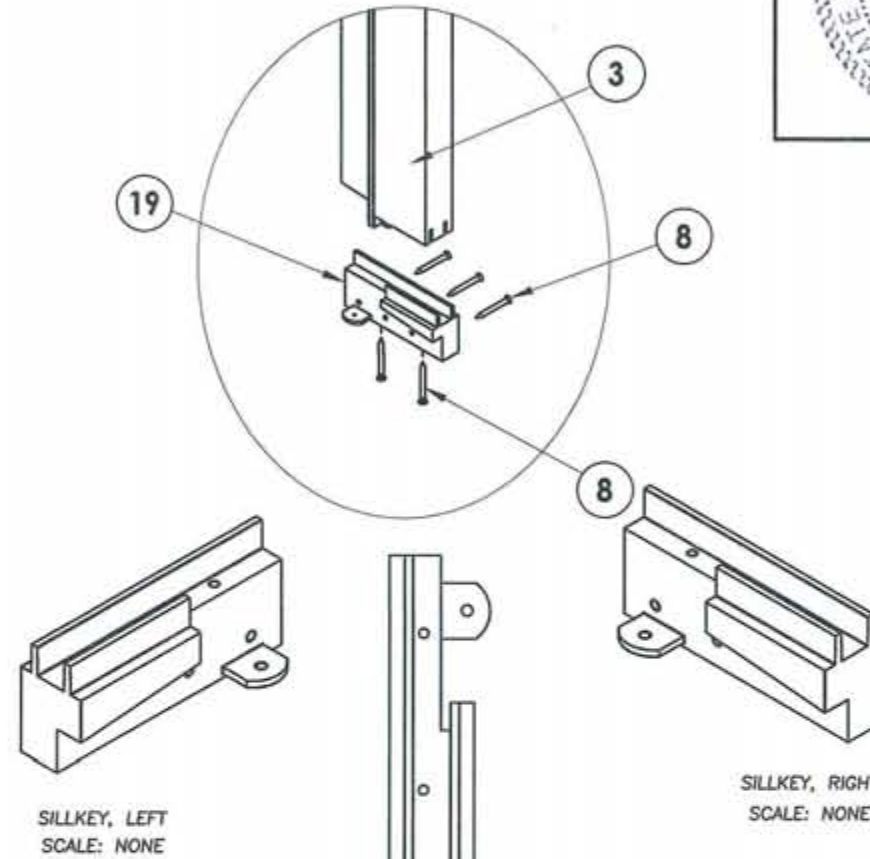
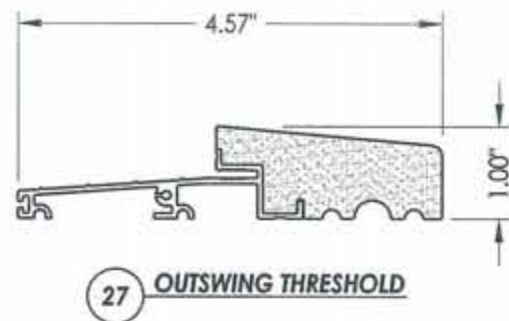
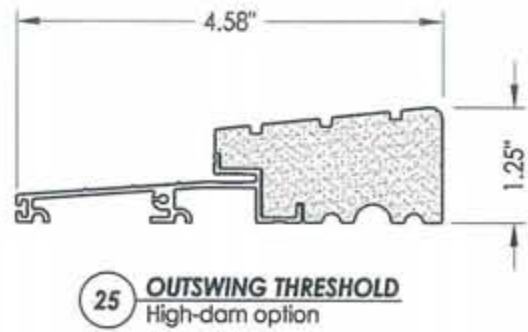
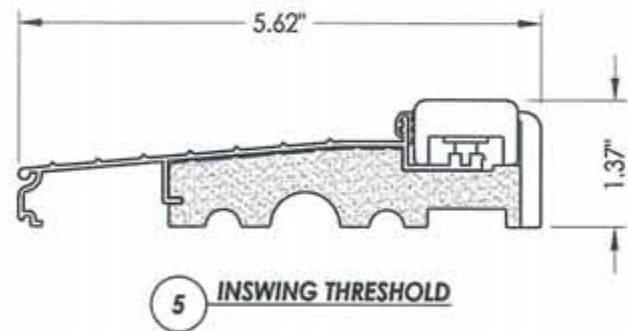
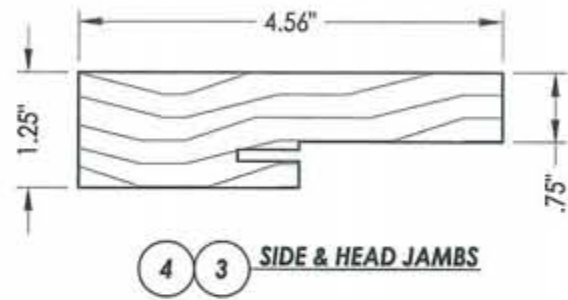
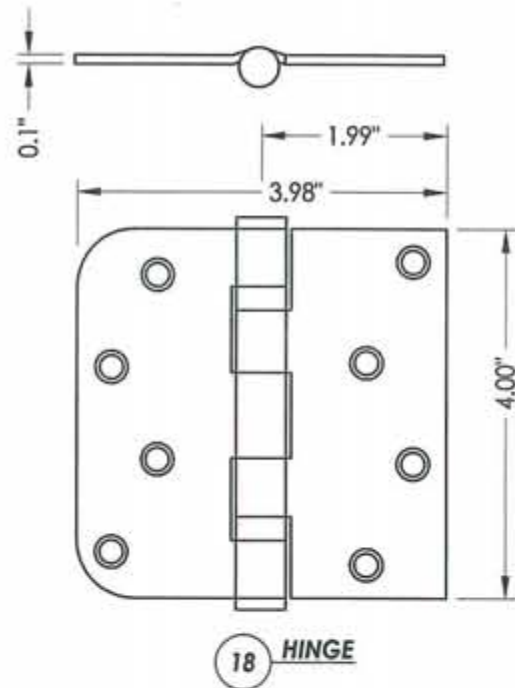
SCALE: N.T.S.

DWG. BY: EW

CHK. BY: LFS

DRAWING NO.: TX-592

SHEET 5 OF 11



Documents Prepared By: Lyndon F. Schmidt, P.E.
TEXAS P.E. #104123

RW BUILDING CONSULTANTS, INC.
P.O. Box 230 Valrico FL 33595
Phone No.: 813.659.9197

TEXAS BOARD OF PROFESSIONAL ENGINEERS
CERTIFICATE OF REGISTRATION # F-11852

PRODUCT: TRINITY GLASS INT'L PREMIUM LIPLITE FIBERGLASS

PART OR ASSEMBLY: COMPONENTS

NO.	DATE	REVISIONS
2	7/23/09	TDI PRODUCT EVALUATION UPDATE
1	6/28/06	REVISED LOCKSET NOMENCLATURE
		AL
		EW
		BY

DATE: 8/26/05

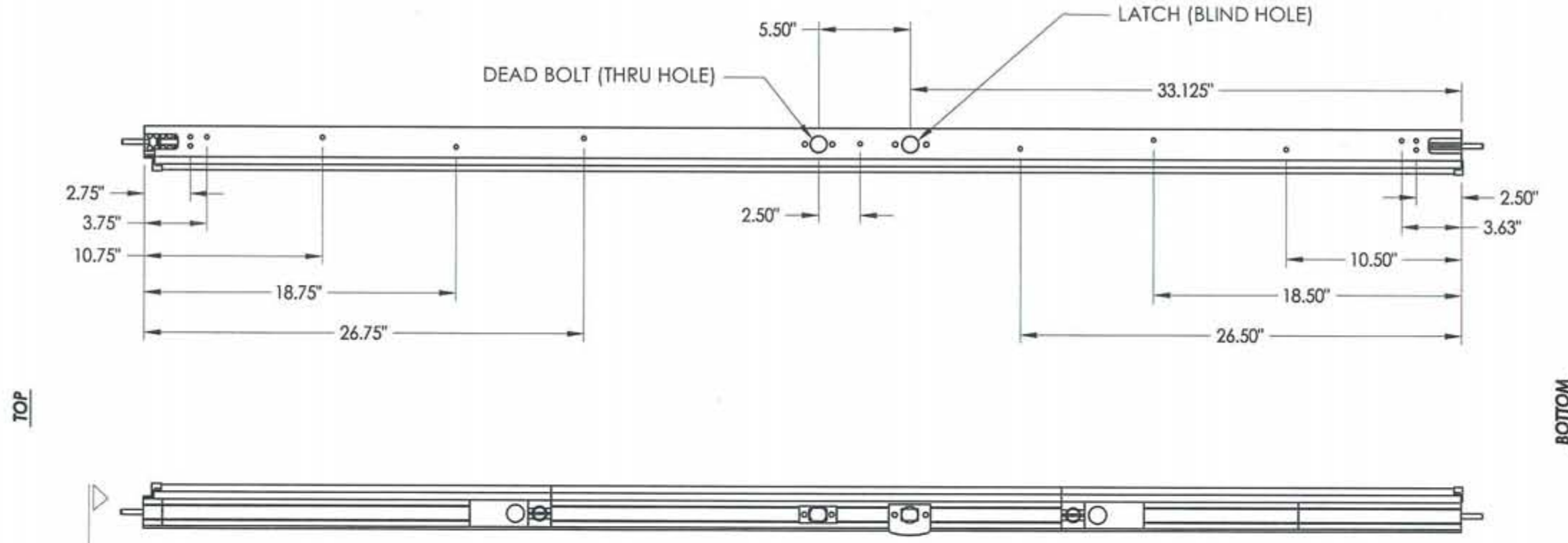
SCALE: N.T.S.

DWG. BY: EW

CHK. BY: LFS

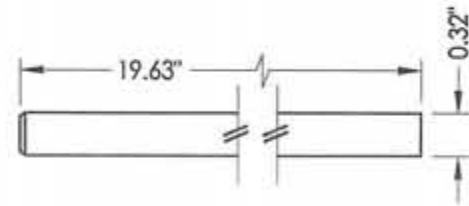
DRAWING NO.: TX-592

SHEET 6 OF 11

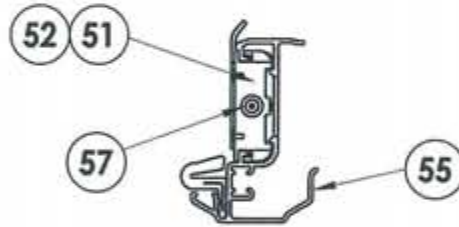


6'8 ALUMINUM ASTRAGAL ASSEMBLY
By Endura Products

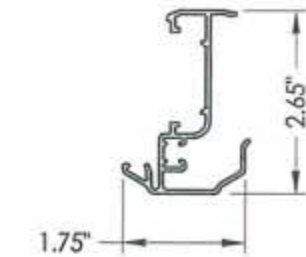
A-A



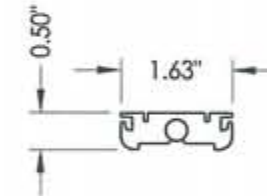
57 SLIDE BOLT ROD
MATL: Steel



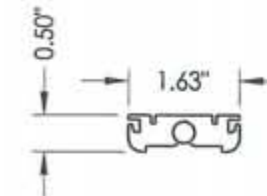
VIEW A-A
Aluminum Astragal Assembly



55 ALUMINUM ASTRAGAL
By Endura Products



52 TOP BOLT RETAINER
MATL: 9-3/4" Long Aluminum



51 TOP BOLT RETAINER
MATL: 4-3/4" Long HDPE



Documents Prepared By: Lyndon F. Schmidt, P.E.
TEXAS P.E. #104123

RW BUILDING CONSULTANTS, INC.
P.O. Box 230 Valrico FL, 33595
Phone No.: 813.659.9197

TEXAS BOARD OF PROFESSIONAL ENGINEERS
CERTIFICATE OF REGISTRATION # F-11852

PRODUCT:
TRINITY GLASS INT'L
PREMIUM LIPLITE FIBERGLASS

PART OR ASSEMBLY:
ENDURA ASTRAGAL DETAILS

NO.	DATE	REVISIONS
2	7/23/09	TDI PRODUCT EVALUATION UPDATE
1	6/28/06	REVISED LOCKSET NOMENCLATURE
		BY

DATE: 8/26/05

SCALE: N.T.S.

DWG. BY: EW

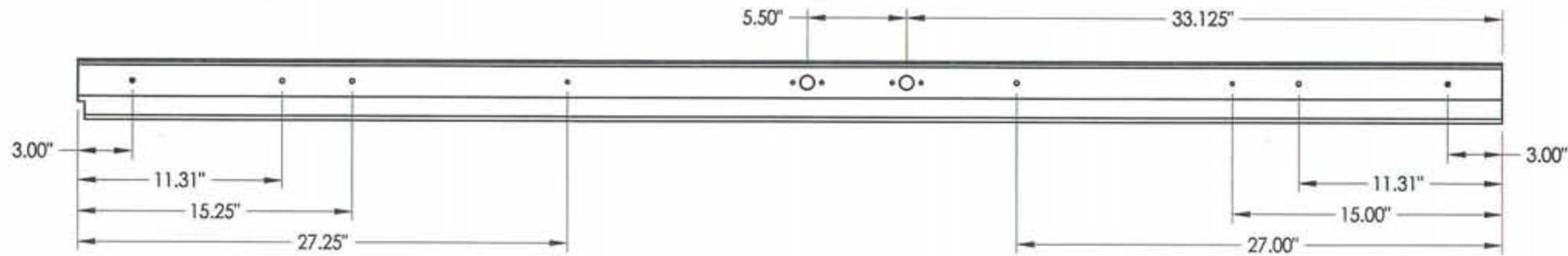
CHK. BY: LFS

DRAWING NO.:

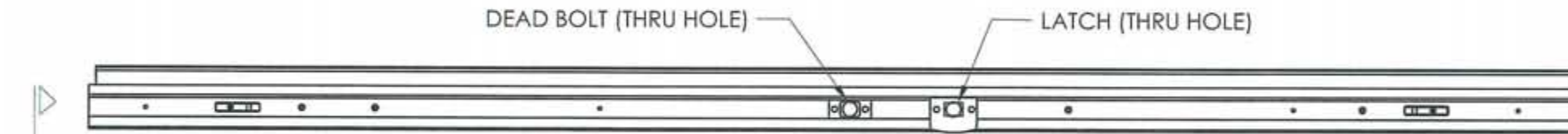
TX-592

SHEET 7 OF 11

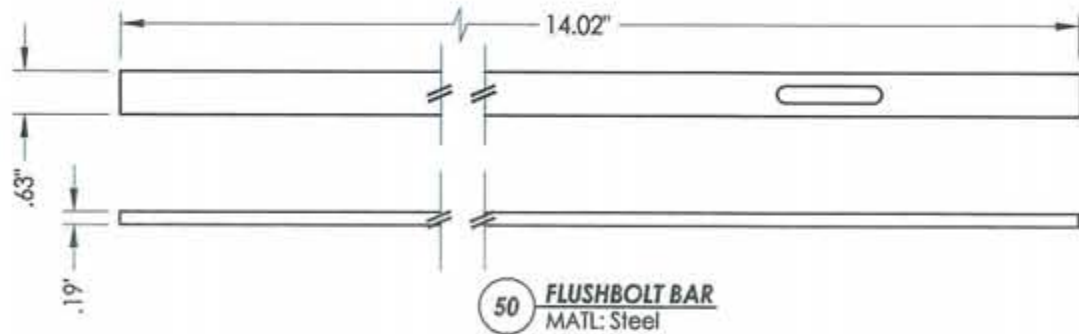
TOP



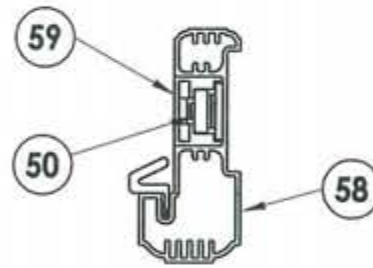
BOTTOM



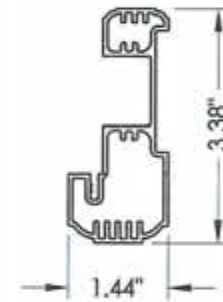
6'8 ALUMINUM ASTRAGAL ASSEMBLY
By Trinity



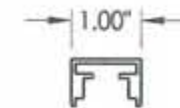
50 FLUSHBOLT BAR
MATL: Steel



VIEW B-B
Aluminum Astragal Assembly



58 TRC ALUMINUM ASTRAGAL
By Trinity



59 TRC ASTRAGAL CHANNEL
By Trinity



Documents Prepared By: Lyndon F. Schmidt, P.E.
TEXAS P.E. #104123

RW BUILDING CONSULTANTS, INC.
P.O. Box 230 Valrico FL 33595
Phone No.: 813.859.9197

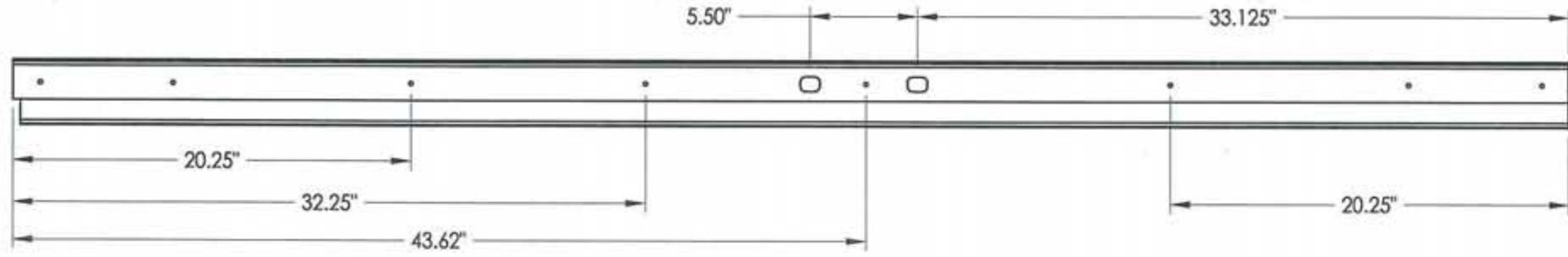
TEXAS BOARD OF PROFESSIONAL ENGINEERS
CERTIFICATE OF REGISTRATION # F-11852

PRODUCT:	TRINITY GLASS INT'L PREMIUM LIPLITE FIBERGLASS
PART OR ASSEMBLY:	TRC ASTRAGAL DETAILS

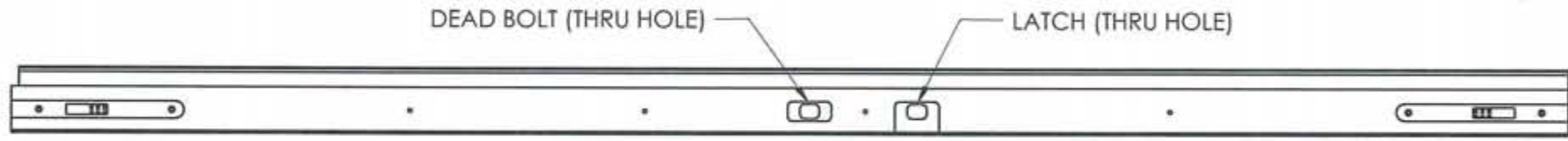
NO.	DATE	REVISIONS
2	7/23/09	TDI PRODUCT EVALUATION UPDATE
1	6/28/06	REVISED LOCKSET NOMENCLATURE
		AL
		EW
		BY

DATE:	8/26/05
SCALE:	N.T.S.
DWG. BY:	EW
CHK. BY:	LFS
DRAWING NO.:	TX-592
SHEET	8 OF 11

TOP

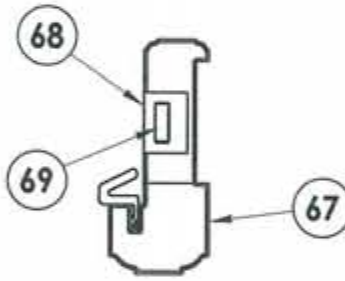


BOTTOM

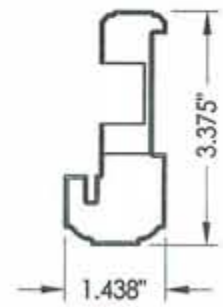


6'8 PVC ASTRAGAL ASSEMBLY
By Trinity

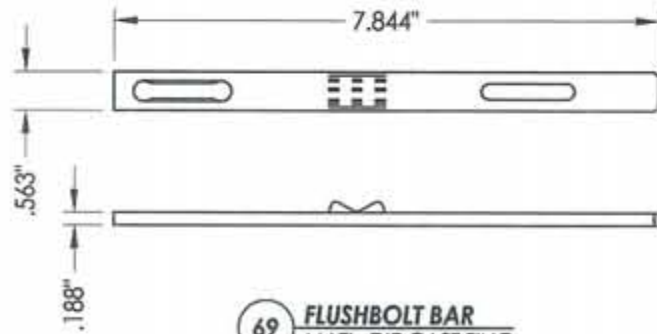
C-C



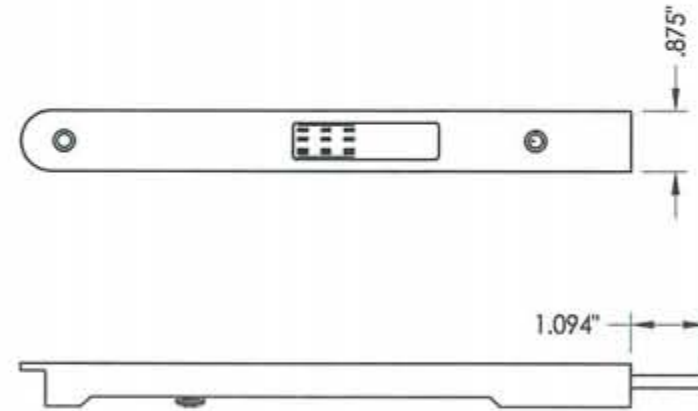
VIEW C-C
PVC ASTRAGAL ASSEMBLY



67 PVC ASTRAGAL
BY Trinity



69 FLUSHBOLT BAR
MATL: DIE CAST ZINC



68 FLUSHBOLT
MATL: 8.75" DIE CAST ZINC



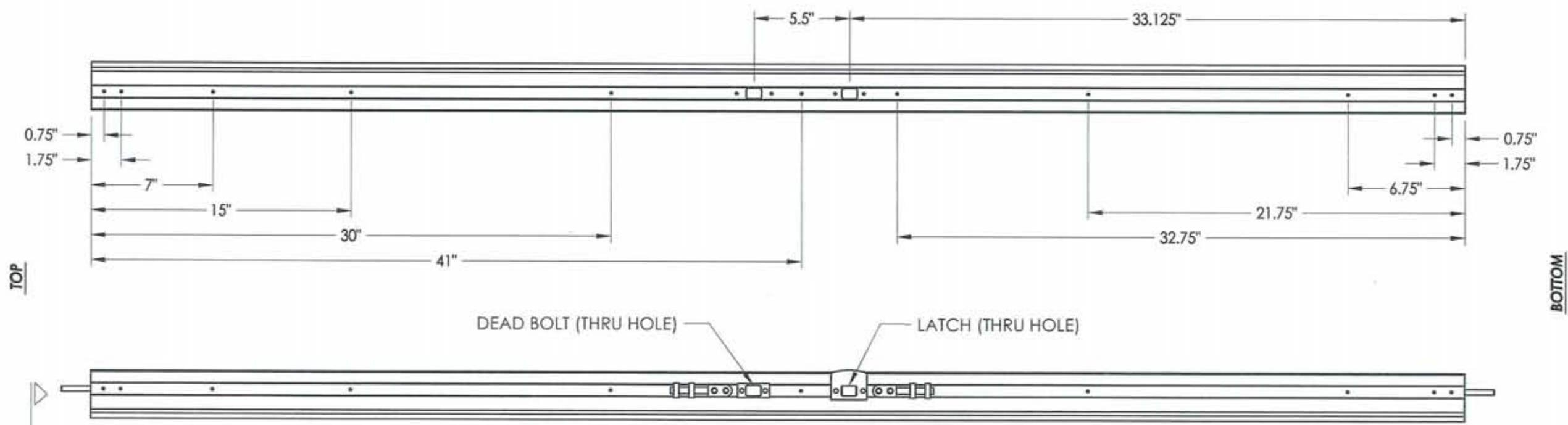
Documents Prepared By: Lyndon F. Schmidt, P.E.
TEXAS P.E. #104123
RW BUILDING CONSULTANTS, INC.
P.O. Box 230 Valrico FL 33595
Phone No.: 813.659.9197
TEXAS BOARD OF PROFESSIONAL ENGINEERS
CERTIFICATE OF REGISTRATION # F-11852

PRODUCT: TRINITY GLASS INT'L PREMIUM LIPLITE FIBERGLASS
PART OR ASSEMBLY: PVC ASTRAGAL DETAILS

NO.	DATE	REVISIONS
2	7/23/09	TDI PRODUCT EVALUATION UPDATE
1	6/28/06	REVISED LOCKSET NOMENCLATURE
		AL
		EW
		BY

DATE: 8/26/05
SCALE: N.T.S.
DWG. BY: EW
CHK. BY: LFS
DRAWING NO.: TX-592
SHEET 9 OF 11

R:\A - Projects\Project Folders\Proj 1101 - 1200\pf1122\D. RWBC Drawings\TX-592\TX-592.dwg, 10



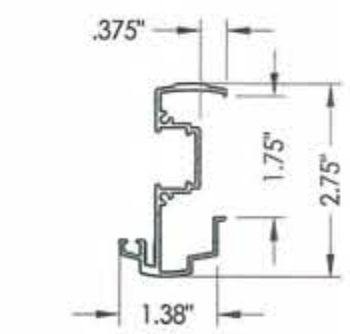
TOP

BOTTOM

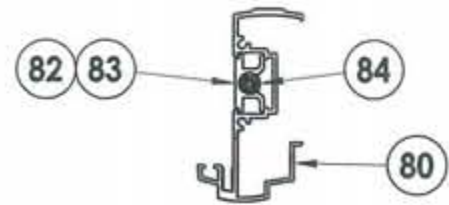
DEAD BOLT (THRU HOLE) LATCH (THRU HOLE)

6'8 ALUMINUM ASTRAGAL ASSEMBLY
By Columbia

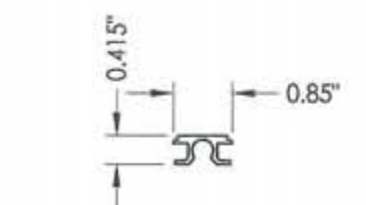
D-D



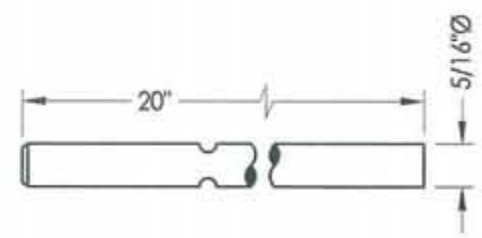
80 ALUMINUM ASTRAGAL
BY Columbia



VIEW D-D
Aluminum Astragal Assembly



82 83 FLUSHBOLT RETAINER
Top / bottom
Aluminum 6063-T5



84 FLUSHBOLT ROD
Steel



Documents Prepared By: Lyndon F. Schmidt, P.E.
TEXAS P.E. #104123
RW BUILDING CONSULTANTS, INC.
P.O. Box 230 Valrico FL, 33595
Phone No.: 813.659.9197
TEXAS BOARD OF PROFESSIONAL ENGINEERS
CERTIFICATE OF REGISTRATION # F-11852

PRODUCT:	TRINITY GLASS INT'L PREMIUM LIPLITE FIBERGLASS
PART OR ASSEMBLY:	COLUMBIA ASTRAGAL DETAILS

NO.	DATE	BY	REVISIONS
2	7/23/09	AL	TDI PRODUCT EVALUATION UPDATE
1	6/28/06	EW	REVISED LOCKSET NOMENCLATURE

DATE:	8/26/05
SCALE:	N.T.S.
DWG. BY:	EW
CHK. BY:	LFS
DRAWING NO.:	TX-592
SHEET	10 OF 11

CONCRETE ANCHOR NOTES:

1. Substitution of equal concrete anchors from a different supplier may have different edge distance and center distance requirements.
2. Concrete anchor locations at the corners may be adjusted to maintain the min. edge distance to mortar joints. If concrete anchor locations noted as "MAX. ON CENTER" must be adjusted to maintain the min. edge distance to mortar joints, additional concrete anchors may be required to ensure the "MAX. ON CENTER" dimensions are not exceeded.
3. Concrete anchor table:

ANCHOR TYPE	ANCHOR SIZE	MIN. EMBEDMENT	MIN. CLEARANCE TO MASONRY EDGE	MIN. CLEARANCE TO ADJACENT ANCHOR
ITW	3/16"	1-3/4"	2-5/8"	2-1/4"
ELCO	3/16"	1-3/4"	1"	3"



Documents Prepared By: Lyndon F. Schmidt, P.E.
TEXAS P.E. #104123

RW BUILDING CONSULTANTS, INC.
P.O. Box 230 Valrico FL 33595
Phone No.: 813.659.9197

TEXAS BOARD OF PROFESSIONAL ENGINEERS
CERTIFICATE OF REGISTRATION # F-11852

BILL OF MATERIALS

ITEM	DESCRIPTION	MATERIAL	ITEM	DESCRIPTION	MATERIAL
A	2X HEADER FRAMING SG >= 0.42	WOOD	31	LVL LOCK BLOCK	POPLAR
B	2X FRAMING SG >= 0.42	WOOD	32	HINGE STILE - SG >= 0.42	LVL/PVC
G	MAX. 1/4" SHIM SPACE	WOOD	33	TOP RAIL - POPLAR LVL & WPC COMBINATION	POPLAR/WPC
I	3/16" X 2-1/4" ITW PFH CONCRETE SCREW	WOOD	34	BOTTOM RAIL - POPLAR LVL & WPC COMBINATION	POPLAR/WPC
J	#10 X 3" PFH WS	STEEL	39	FIBERGLASS SKIN 0.079" MIN. THICKNESS (Fy = 5,203 PSI MIN.)	FIBERGLASS
K	#9 X 2" PFH WS	STEEL	40	#8 X 1-1/8" SELF THREADING SCREW	STEEL
L	#8 X 2-1/2" PFH WS	STEEL	42	ALUMINUM & BUTYL SPACER SYSTEM	ALUM./BUTYL
P	3/16" X 2-3/4" ELCO OR ITW PFH CONCRETE SCREW	STEEL	44	HOT MELT SEALANT / SILICONE	-
Q	3/16" X 3-1/4" ITW CONCRETE SCREW	STEEL	45	LITE FRAME	PC/ASA
3	HINGE JAMB - FINGER-JOINT PINE - SG >= 0.42	WOOD	46	FOAM CORE	POLYURETHANE
4	HEAD - FINGER-JOINT PINE - SG >= 0.42	WOOD	50	FLUSHBOLT BAR	STEEL
5	INSWING THRESHOLD ALUMINUM W/ COMPOSITE SUBSTRATE	ALUMINUM	51	4-3/4" LENGTH TOP BOLT RETAINER	HDPE
6	DOOR BOTTOM SWEEP	PVC	52	9-3/4" LENGTH TOP BOLT RETAINER	ALUMINUM
7	DOOR PANEL - SEE DOOR PANEL DETAIL SHEET FOR CONSTRUCTION DETAILS	-	53	#8 X 1-3/4" PFH SMS	STEEL
8	#6 X 1-1/4" PFH DRYWALL SCREW	STEEL	54	ASTRAGAL STRIKE @ HEAD	STEEL
12	WEATHER STRIP QEBD650 Q-LON	-	55	ASTRAGAL BY ENDURA PRODUCTS	ALUMINUM
18	3.983" X 4.0" HINGE MIN 0.098" THICK	STEEL	56	ASTRAGAL STRIKE @ SILL	STEEL
19	SILLKEY	PC/ASA	57	SLIDE BOLT ROD	STEEL
21	LOCK (SEE LOCK & DEADBOLT RATINGS CHART)	STEEL	58	TRC ASTRAGAL BY TRINITY	ALUMINUM
22	DEADBOLT (SEE LOCK & DEADBOLT RATINGS CHART)	STEEL	59	TRC ASTRAGAL CHANNEL BY TRINITY	ALUMINUM
23	STRIKE PLATE	STEEL	67	PVC ASTRAGAL BY TRINITY	PVC
23A	DEADBOLT PLATE	STEEL	68	FLUSHBOLT	DIE CAST ZINC
24	#9 X 5/8" PFH SCREW	STEEL	69	FLUSHBOLT BAR	DIE CAST ZINC
25	OUTSWING HIGH-DAM THRESHOLD ALUMINUM W/ COMPOSITE SUBSTRATE	ALUM./ COMP.	80	EXTRUDED ALUMINUM ASTRAGAL BY COLUMBIA ALUM. PROD.	ALUMINUM
26	#9 X 1" PFH SCREW	STEEL	81	#8 X 2-1/2" PFH WS	STEEL
27	OUTSWING THRESHOLD ALUMINUM W/ COMPOSITE SUBSTRATE	ALUM./ COMP.	82	TOP FLUSHBOLT RETAINER 6063-T5	ALUM./STEEL
30	LATCH STILE - SG >= 0.42	LVL/PVC	83	BOTTOM FLUSHBOLT RETAINER 6063-T5	ALUM./STEEL
			84	5/16"Ø X 20" LONG FLUSHBOLT ROD	STEEL

PRODUCT:	TRINITY GLASS INT'L PREMIUM LIPLITE FIBERGLASS
PART OR ASSEMBLY:	BILL OF MATERIALS
DATE:	8/26/05
SCALE:	N.T.S.
DWG. BY:	EW
CHK. BY:	LFS
DRAWING NO.:	TX-592
SHEET	11 of 11