

3'0 X 6'8
OPAQUE PREMIUM FIBERGLASS
SINGLE DOOR WITH SIDELITES (CHS)
IN SWING / OUT SWING
"IMPACT" DOOR WITH "NON-IMPACT" SIDELITES

EVALUATED FOR USE IN THE STATE OF TEXAS

The Trinity Opaque Premium Fiberglass Door with sidelites (CHS) described herein complies with the 2006 International Residential Code (IRC), Sections R301 & R613 and the 2006 International Building Code (IBC), Sections 1405.12, 1609, 1714.5, 2403 and 2404 (including Texas revisions) subject to the following conditions:

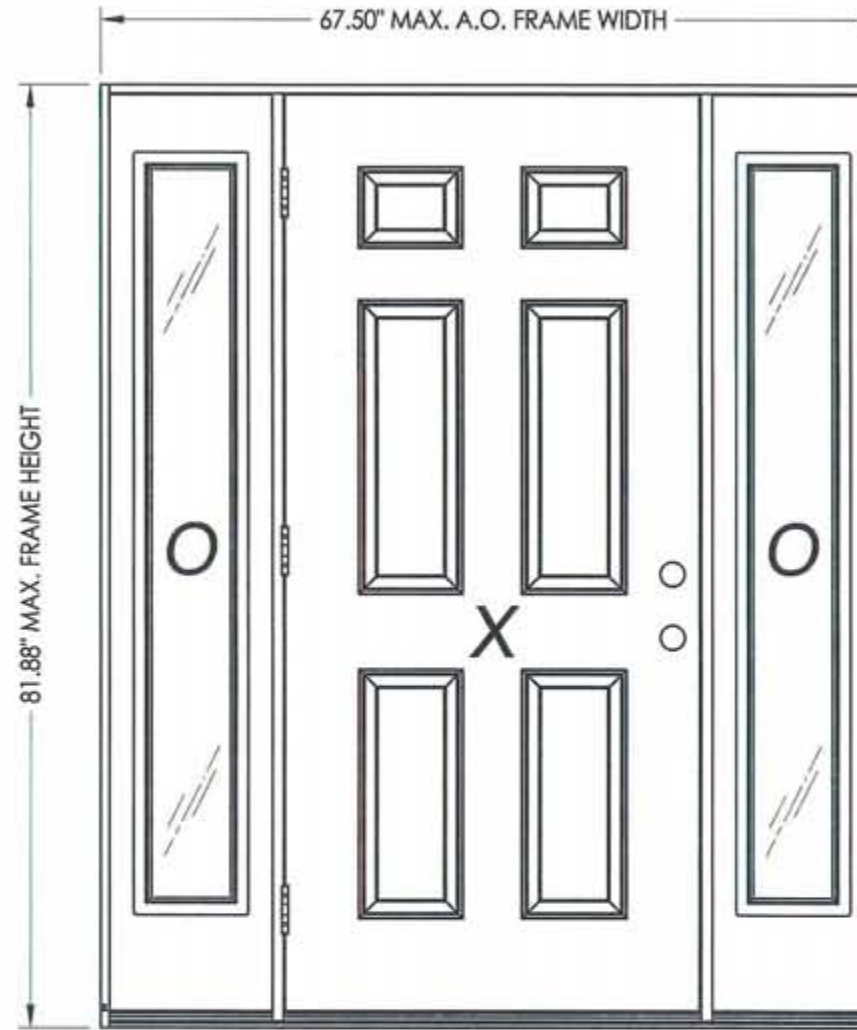
1. Anchors shall be as listed and spaced as shown in the details. Anchor embedment to base material shall be beyond wall dressing or stucco.
2. When used in wind borne debris regions, the opaque door panel complies with Sections R301.2.1.2 of the IRC and 1609.1.2 of the IRC as an impact resistant product and does not require the use of an approved impact resistant covering. The sidelite must be protected with an impact resistant covering that complies with sections R301.2.1.2 and 1609.1.2. This product does not meet the requirements for enhanced protection of essential facilities as defined in ASTM E1996.
3. Allowable design pressure requirements must be equal to or less than the design pressure rating shown in the design pressure chart, sheet 1 of this drawing.
4. Conditions not covered by this drawing are subject to further engineering analysis.

SUPPORTING DOCUMENTS & EVIDENCE

1. Testing per ASTM E330-02, ASTM E1886-02 and ASTM E1996-02 as performed by Testing Evaluation Laboratories, Inc. and reported in test report numbers TEL 08-01370020-A and TEL 05-0411-5, signed by Wendell W. Haney, P.E.
2. Calculations (Anchoring and Glass load resistance report ASTM E1300-04) prepared by Lyndon F. Schmidt, P.E.
3. Certificate of Participation issued by the National Accreditation and Management Institute, Inc., certifying that Trinity Glass Int'l is manufacturing products within a Quality Assurance program.

TABLE OF CONTENTS

SHEET #	DESCRIPTION
1	Typical elevations, design pressures & general notes
2	Door panel construction details
3	Sidelite panel construction details & glazing details
4	Horizontal cross sections
5	Vertical cross sections
6	Vertical cross sections
7	Frame anchoring
8	Components
9	Bill of materials



CONTINUOUS HEADER AND SILL

SWING	MAX. FRAME DIMENSION	GLASS TYPE	DESIGN PRESSURE (PSF)	
			POSITIVE	NEGATIVE
IN SWING	67.50" x 81.88"	G1	+60.0	-70.0
OUT SWING	67.50" x 80.75"		+60.0	-60.0

Refer to Table (sheet 4) for Passage Lock Rating Limitations



Documents Prepared By: Lyndon F. Schmidt, P.E.
TEXAS P.E. #104123

RW BUILDING CONSULTANTS, INC.
P.O. Box 230 Valrico FL 33595
Phone No.: 813.659.9197

TEXAS BOARD OF PROFESSIONAL ENGINEERS
CERTIFICATE OF REGISTRATION # F-11852

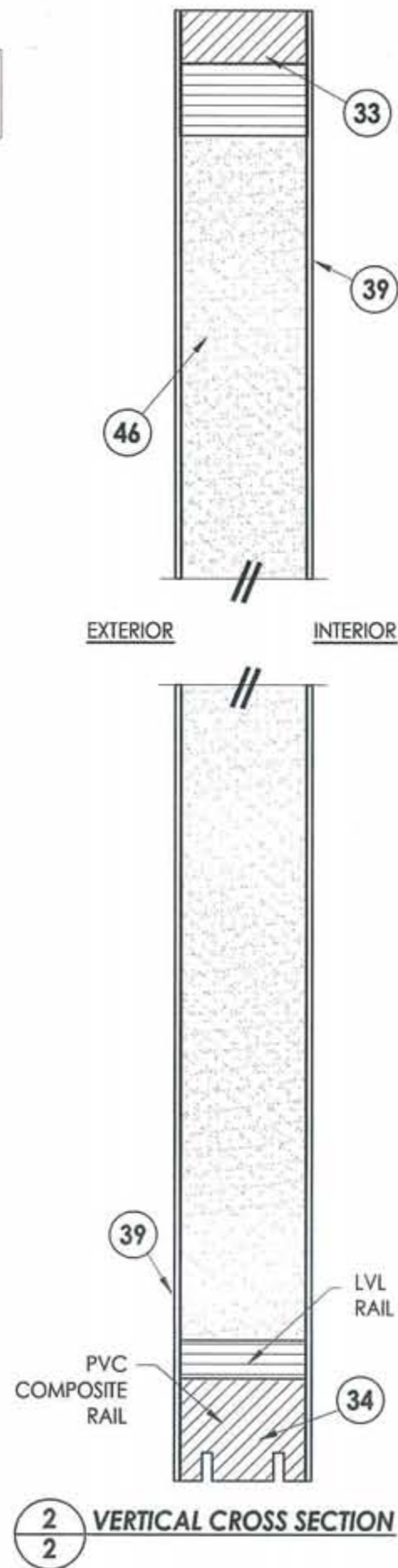
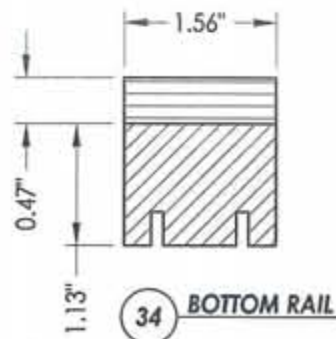
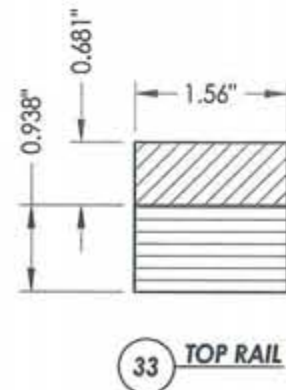
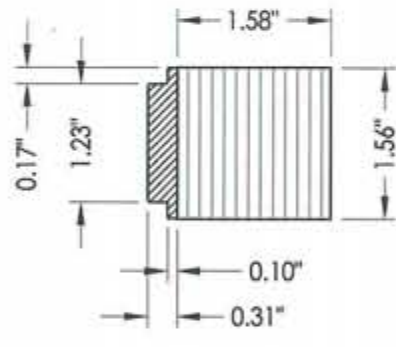
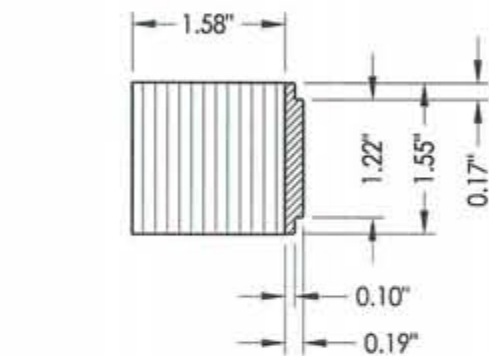
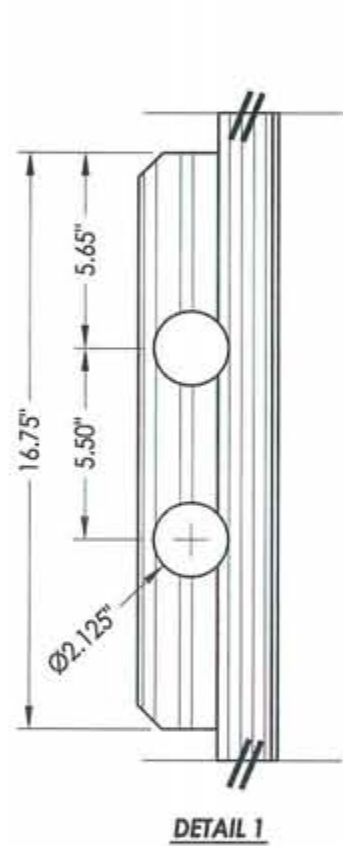
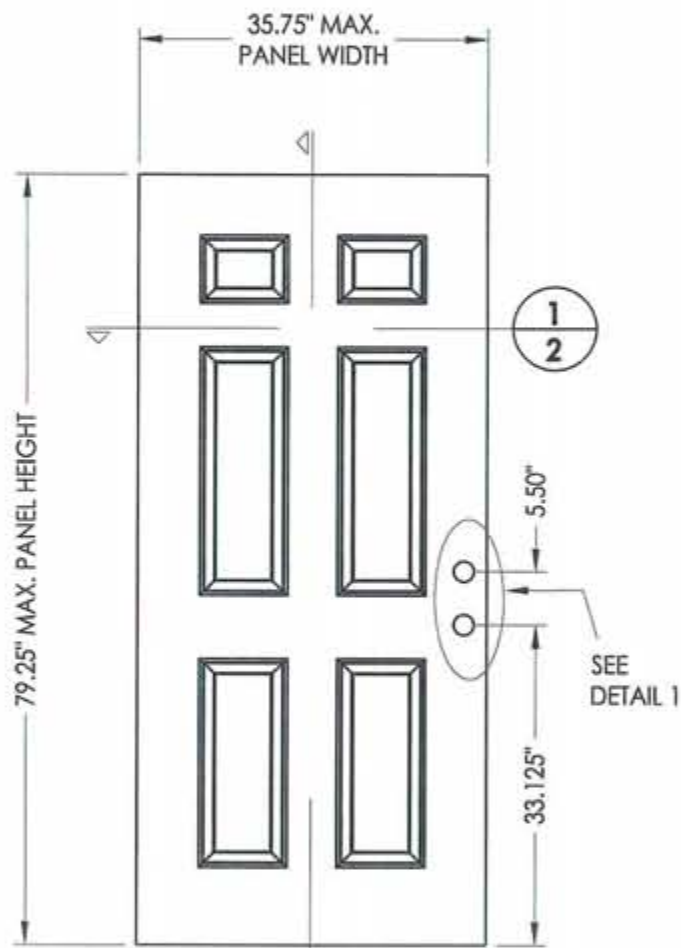
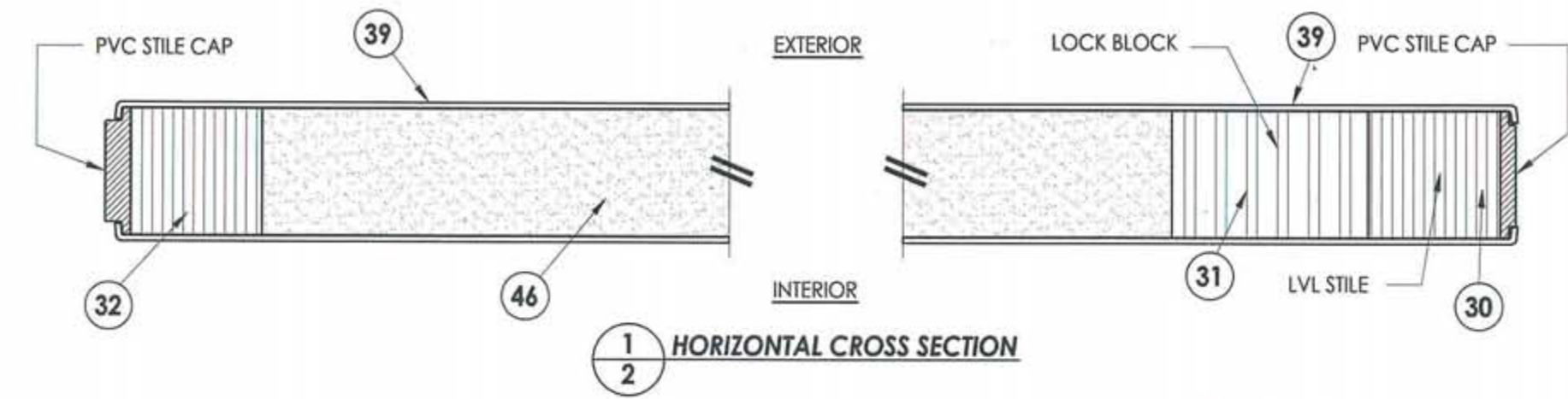
PRODUCT: TRINITY GLASS INT'L
6'8 PREMIUM OPAQUE

PART OR ASSEMBLY:
TYPICAL ELEVATION, DESIGN PRESSURES & GENERAL NOTES

NO.	DATE	REVISIONS
2	7/27/09	TDI PRODUCT EVALUATION UPDATE
1	6/28/06	REVISED LOCKSET NOMENCLATURE

DATE: 8/25/05
SCALE: N.T.S.
DWG. BY: EW
CHK. BY: LFS
DRAWING NO.: TX-590
SHEET 1 OF 9

R:\VA - Projects\Project Folders\proj 650 - 800\p742\TX-590\TX-590.dwg, 2



Documents Prepared By: Lyndon F. Schmidt, P.E.
TEXAS P.E. #104123

RW BUILDING CONSULTANTS, INC.
P.O. Box 230 Valrico FL 33595
Phone No.: 813.659.9197

TEXAS BOARD OF PROFESSIONAL ENGINEERS
CERTIFICATE OF REGISTRATION # F-11852

PRODUCT: TRINITY GLASS INT'L
6"8 PREMIUM OPAQUE

PART OR ASSEMBLY:
DOOR PANEL
CONSTRUCTION DETAILS

NO.	DATE	BY	REVISIONS
2	7/27/09	AL	TDI PRODUCT EVALUATION UPDATE
1	6/28/06	EW	REVISED LOCKSET NOMENCLATURE

DATE: 8/25/05

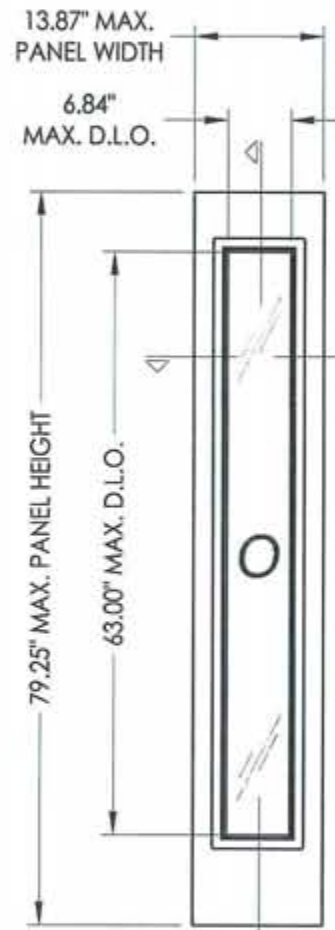
SCALE: N.T.S.

DWG. BY: EW

CHK. BY: LFS

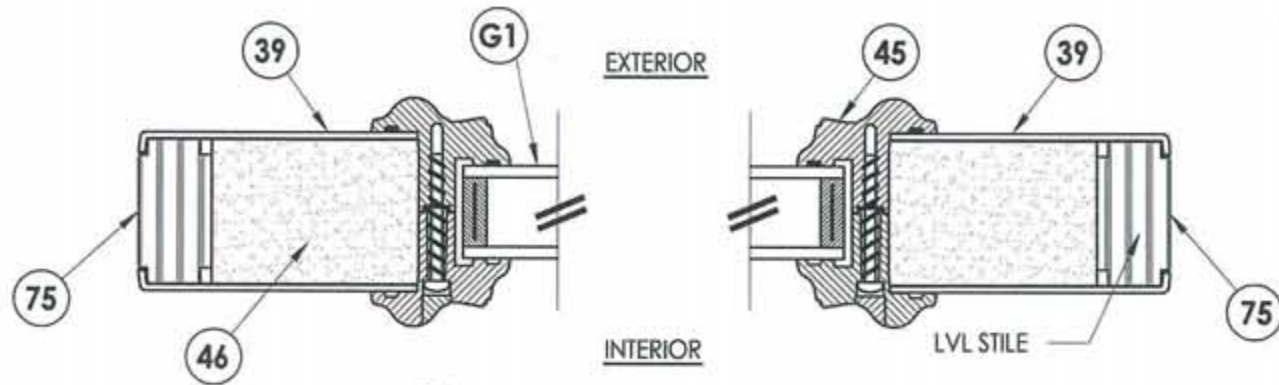
DRAWING NO.: TX-590

SHEET 2 OF 9

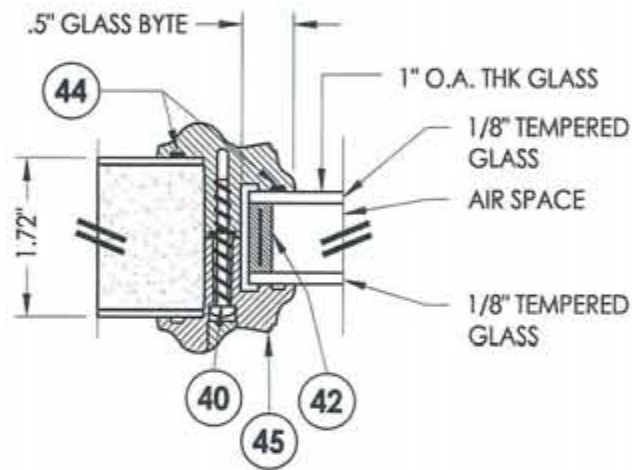


2
3

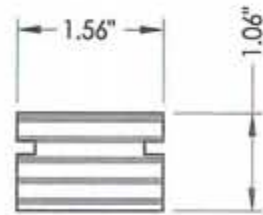
66 FIBERGLASS SIDELITE
"NON-IMPACT"



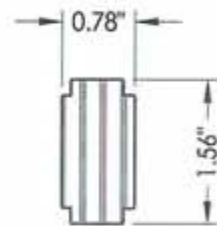
1
3 HORIZONTAL CROSS SECTION



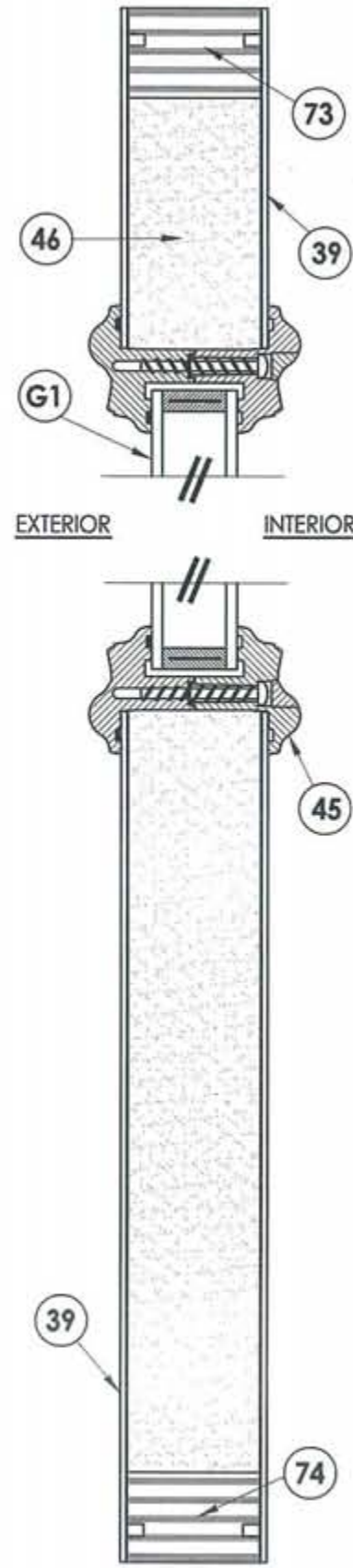
G1 GLAZING DETAIL



74 73 TOP & BOTTOM RAIL
SIDELITE



75 SIDELITE STILE



2
3 VERTICAL CROSS SECTION



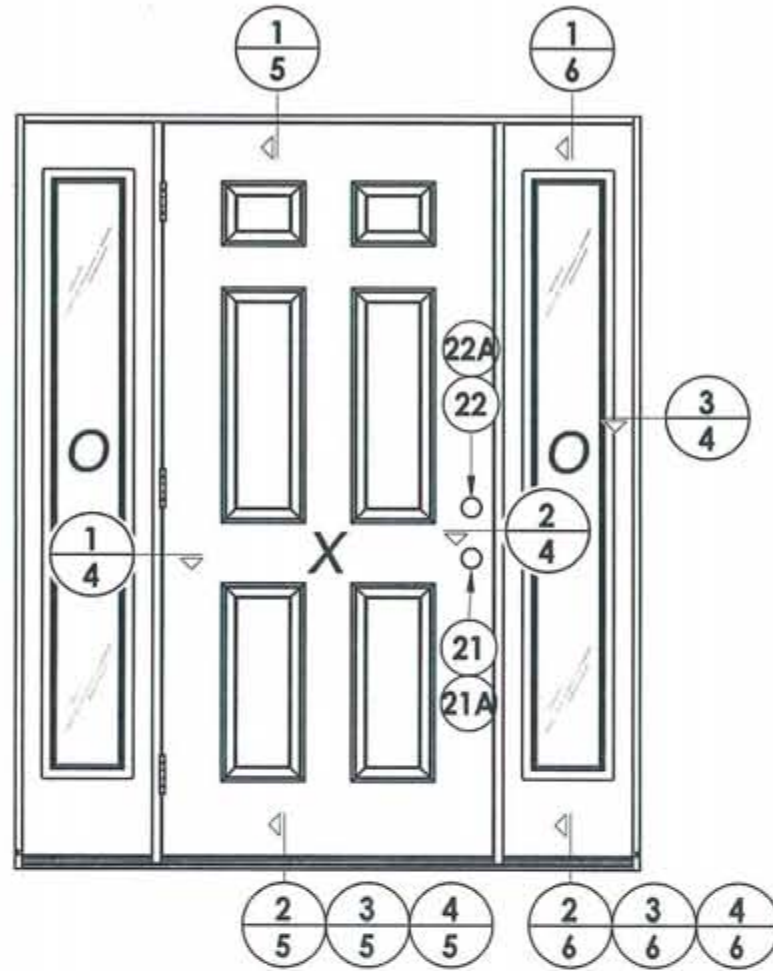
Documents Prepared By: Lyndon F. Schmidt, P.E.
TEXAS P.E. #104123
RW BUILDING CONSULTANTS, INC.
P.O. Box 230 Valrico FL 33595
Phone No.: 813.659.9197
TEXAS BOARD OF PROFESSIONAL ENGINEERS
CERTIFICATE OF REGISTRATION # F-11852

PRODUCT:		TRINITY GLASS INT'L 6'8" PREMIUM OPAQUE	
PART OR ASSEMBLY:		SIDELITE PANEL CONSTRUCTION DETAILS AND GLAZING DETAILS	
NO.	DATE	BY	REVISIONS
2	7/27/09	AL	TDI PRODUCT EVALUATION UPDATE
1	6/28/06	EW	REVISED LOCKSET NOMENCLATURE
DATE: 8/25/05			
SCALE: N.T.S.			
DWG. BY: EW			
CHK. BY: LFS			
DRAWING NO.: TX-590			
SHEET 3 OF 9			

R:\A - Projects\Project Folders\proj 650 - 800\p742\TX-590\TX-590.dwg, 4

NOTE:

- Sidelite ass'y fastener: 6" from each end and 4 more screws equally spaced between (6 screws total per jamb).



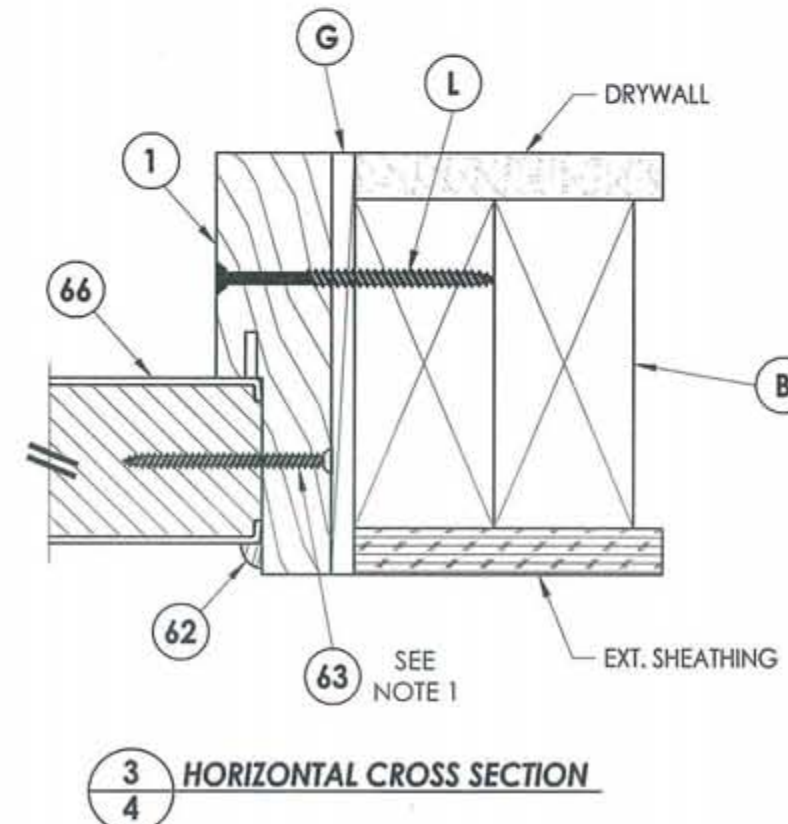
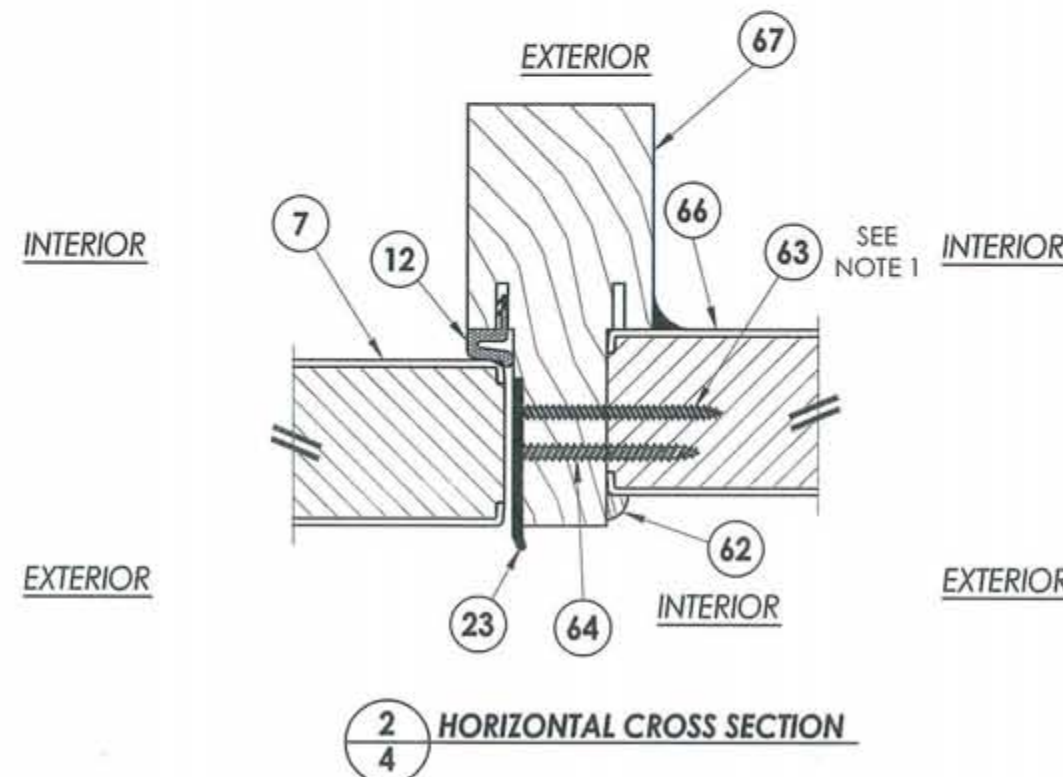
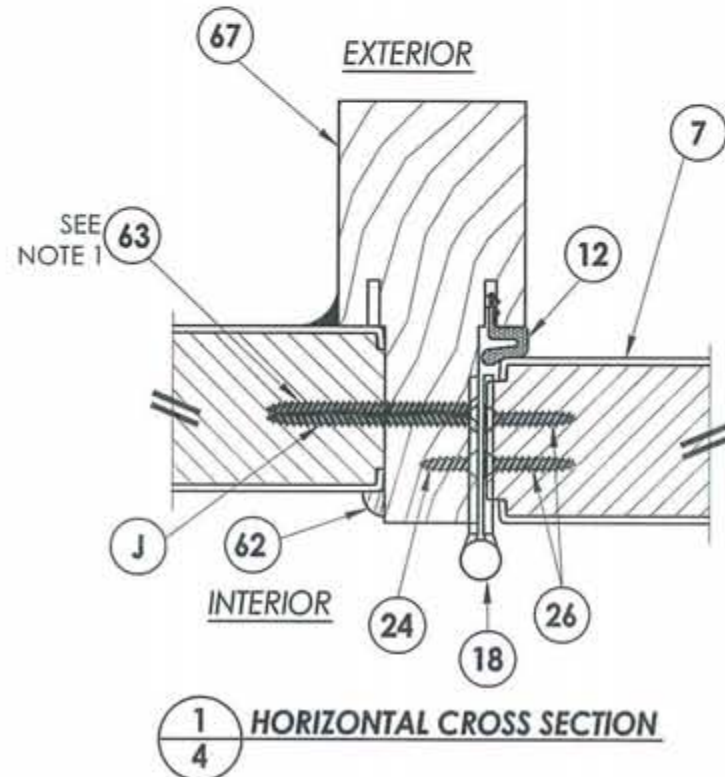
LOCK & DEADBOLT RATINGS CHART				
MANUFACTURER	MODEL	ITEM #	MAX. DESIGN PRESSURE (PSF)	
			POSITIVE	NEGATIVE
KWIKSET	LOCK: 740	21	+60.0	-70.0
	DEADBOLT: 780	22		
KWIKSET	LOCK: COMBO 660	21	+60.0	-65.0
	DEADBOLT: COMBO 660	22		
SCHLAGE	LOCK: MAX. SECURITY	21	+60.0	-60.0
	DEADBOLT: MAX. SECURITY	22		



Documents Prepared By: Lyndon F. Schmidt, P.E.
TEXAS P.E. #104123

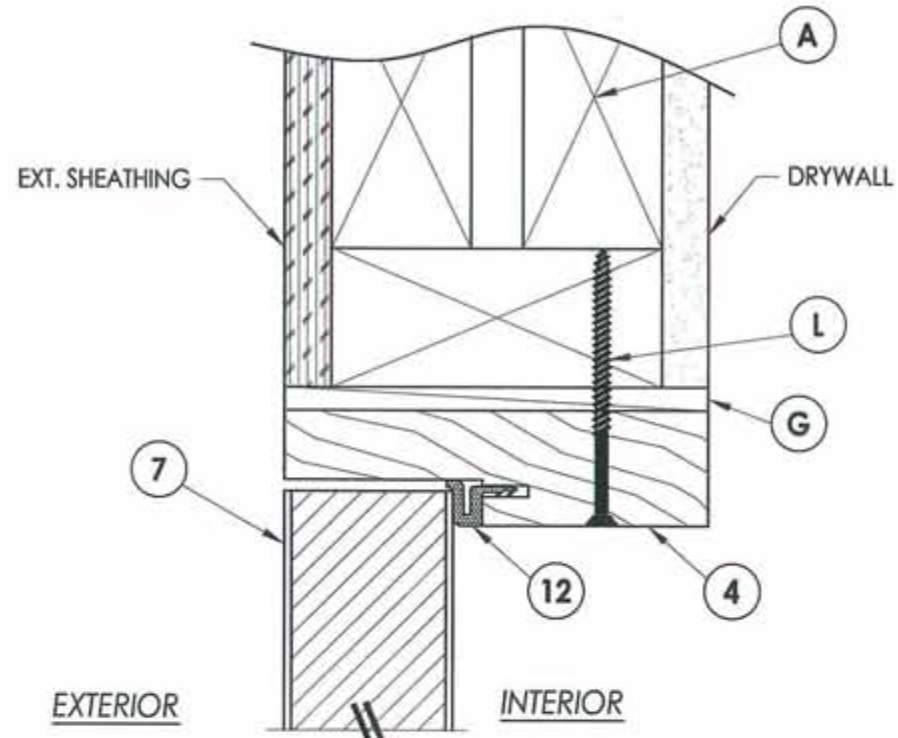
RW BUILDING CONSULTANTS, INC.
P.O. Box 230 Valrico FL 33595
Phone No.: 813.659.9197

TEXAS BOARD OF PROFESSIONAL ENGINEERS
CERTIFICATE OF REGISTRATION # F-11852

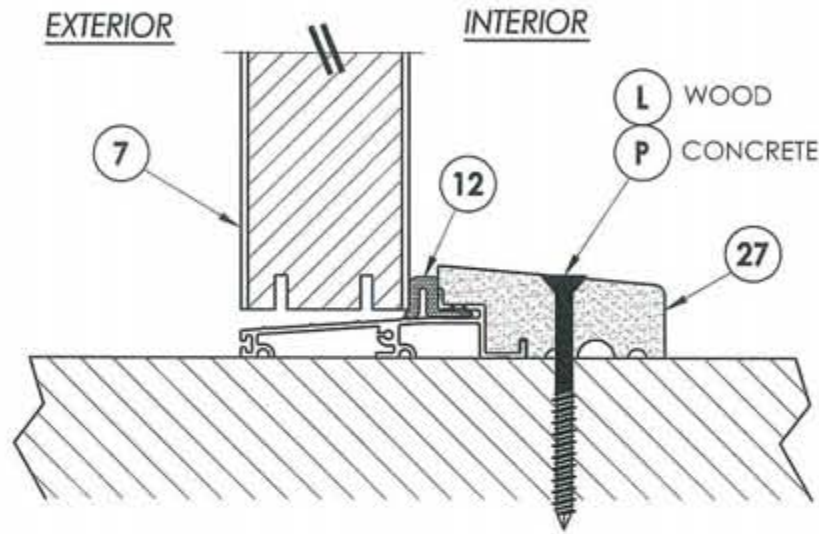


PRODUCT: TRINITY GLASS INT'L 6'8" PREMIUM OPAQUE		PART OR ASSEMBLY: HORIZONTAL CROSS SECTION	
NO.	DATE	BY	REVISIONS
2	7/27/09	AL	TDI PRODUCT EVALUATION UPDATE
1	6/28/06	EW	REVISED LOCKSET NOMENCLATURE
DATE: 8/25/05		SCALE: N.T.S.	
DWG. BY: EW		CHK. BY: LFS	
DRAWING NO.: TX-590		SHEET 4 OF 9	

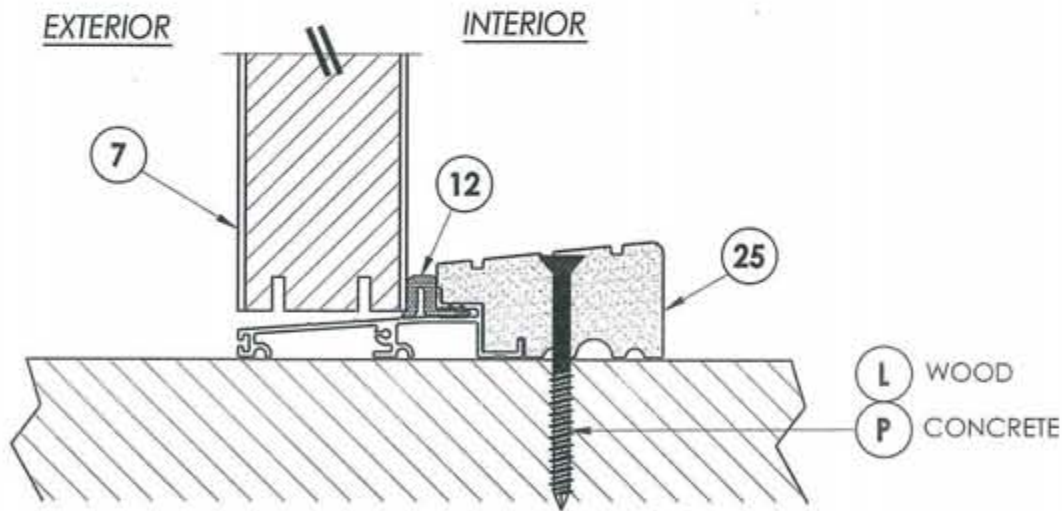
R:\A - Projects\Project Folders\proj_650 - 800\p742\TX-590\TX-590.dwg, 5



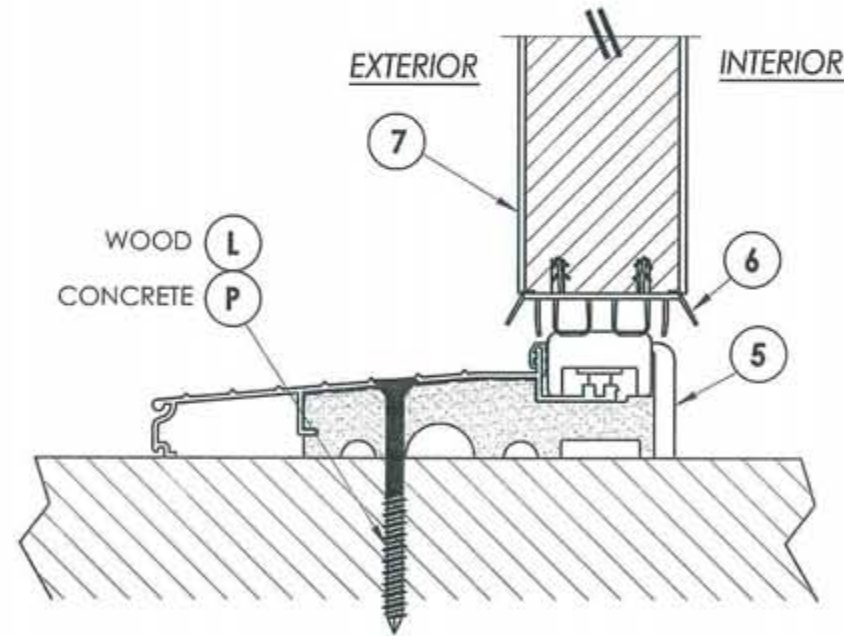
1 VERTICAL CROSS SECTION
5 Outswing shown
 Inswing also approved



2 VERTICAL CROSS SECTION
5 Outswing configuration



3 VERTICAL CROSS SECTION
5 Outswing configuration



4 VERTICAL CROSS SECTION
5 Inswing configuration



Documents Prepared By: Lyndon F. Schmidt, P.E.
 TEXAS P.E. #104123

RW BUILDING CONSULTANTS, INC.
 P.O. Box 230 Veirico FL 33595
 Phone No.: 813.659.9197

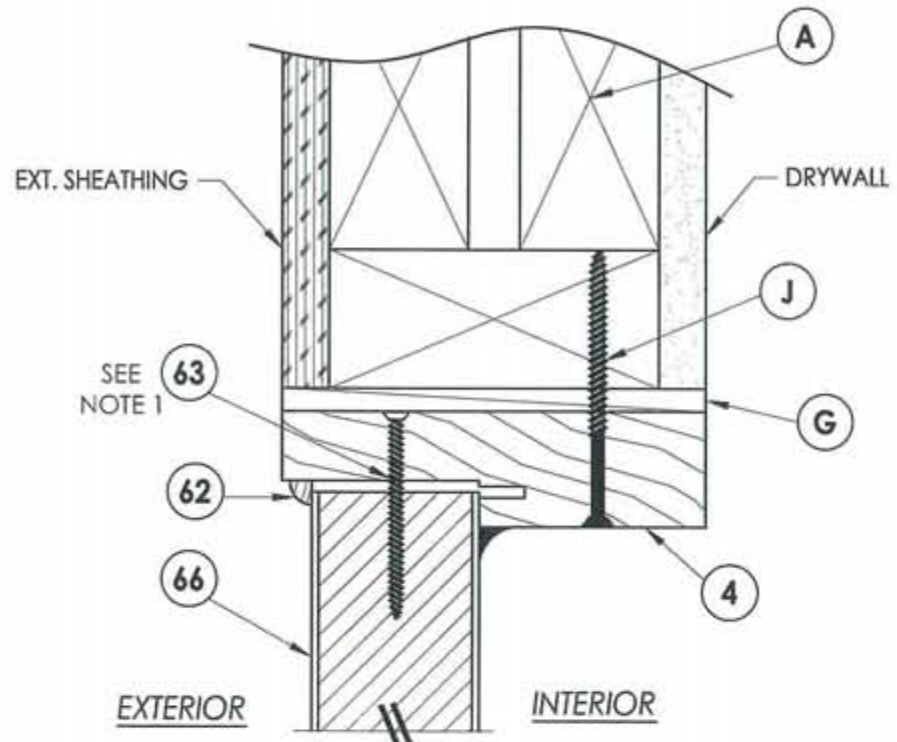
TEXAS BOARD OF PROFESSIONAL ENGINEERS
 CERTIFICATE OF REGISTRATION # F-11852

PRODUCT: TRINITY GLASS INT'L
 6"8 PREMIUM OPAQUE
 PART OR ASSEMBLY:
 VERTICAL CROSS SECTIONS

NO.	DATE	REVISIONS
2	7/27/09	TDI PRODUCT EVALUATION UPDATE
1	6/28/06	REVISED LOCKSET NOMENCLATURE
		AL
		EW
		BY

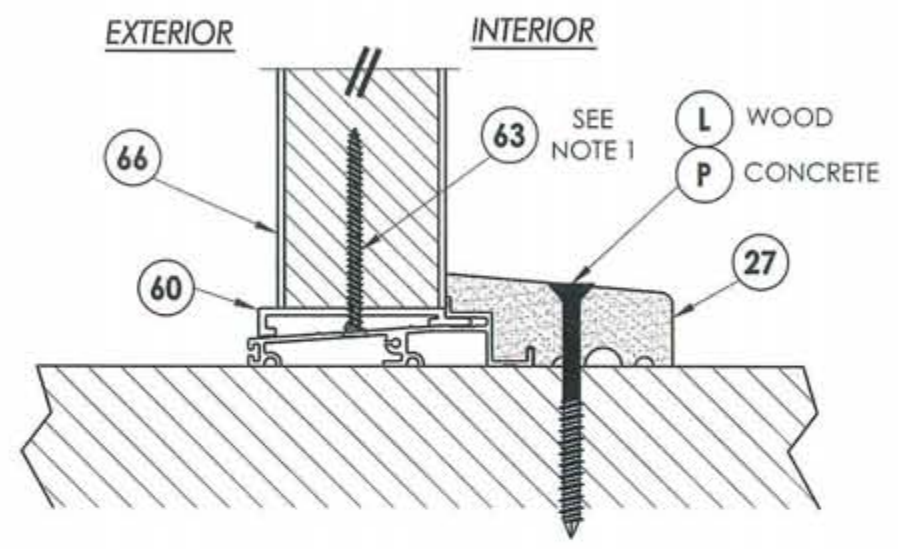
DATE: 8/25/05
 SCALE: N.T.S.
 DWG. BY: EW
 CHK. BY: LFS
 DRAWING NO.: TX-590
 SHEET 5 of 9

R:\A - Projects\Project Folders\proj 650 - 800\p742\TX-590\TX-590.dwg, 6

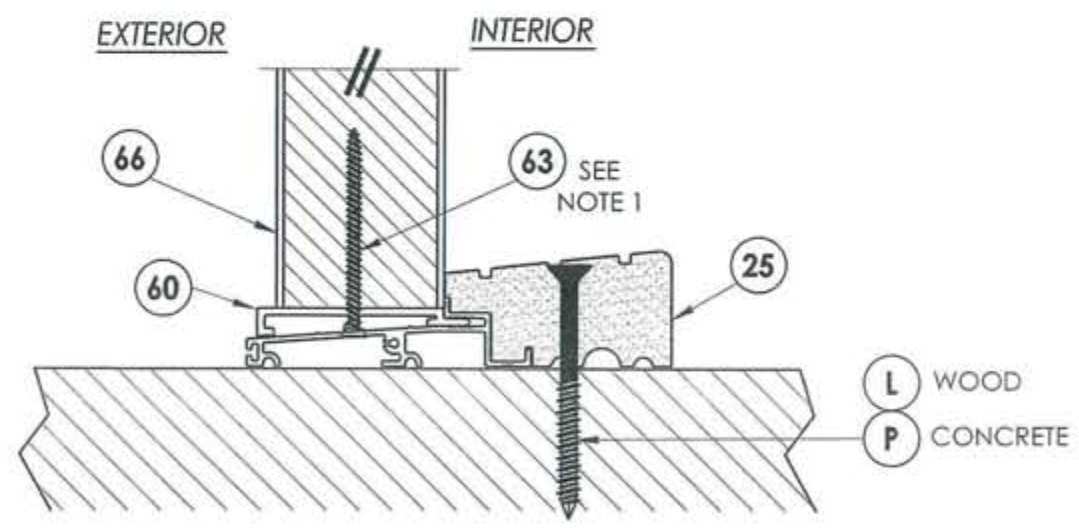


1
6 VERTICAL CROSS SECTION
Outswing sill

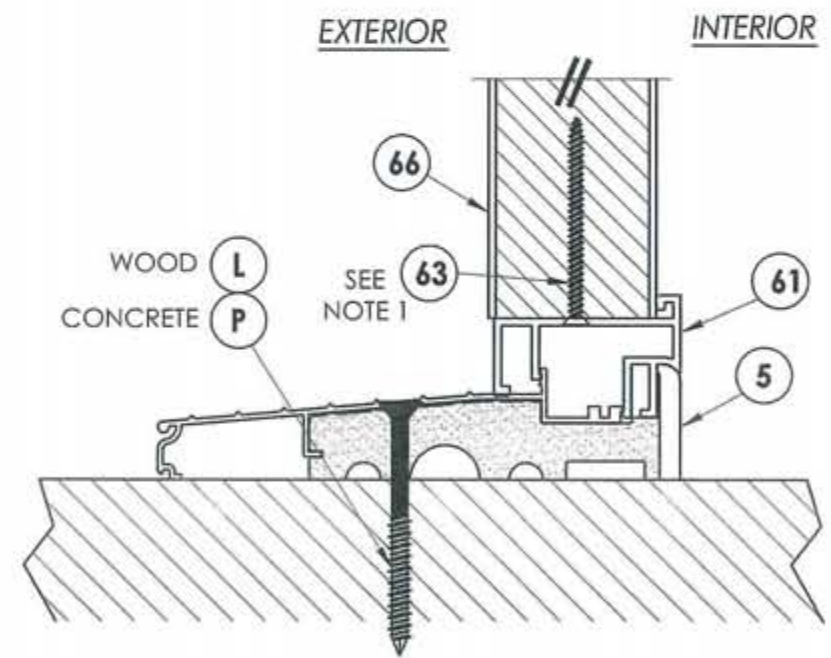
NOTE:
1. Screws thru head and sill jamb located 3" from each end and on center line.



2
6 VERTICAL CROSS SECTION
Outswing sill



3
6 VERTICAL CROSS SECTION
Outswing sill - high dam



4
6 VERTICAL CROSS SECTION
Inswing sill



Documents Prepared By: Lyndon F. Schmidt, P.E.
TEXAS P.E. #104123

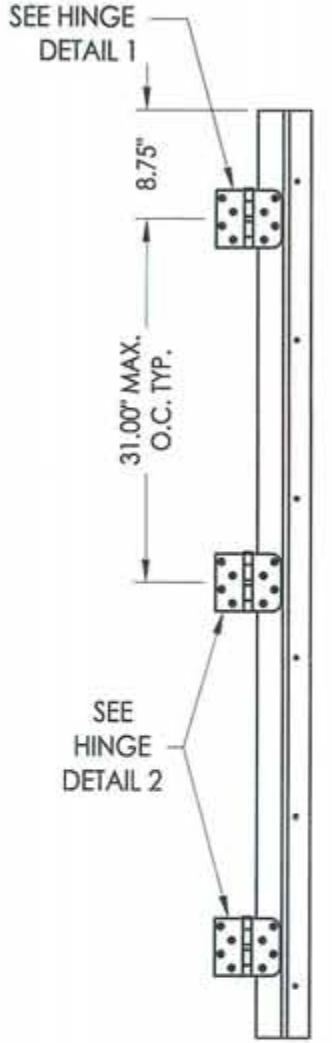
RW BUILDING CONSULTANTS, INC.
P.O. Box 230 Valrico FL 33595
Phone No.: 813.659.9197

TEXAS BOARD OF PROFESSIONAL ENGINEERS
CERTIFICATE OF REGISTRATION # F-11852

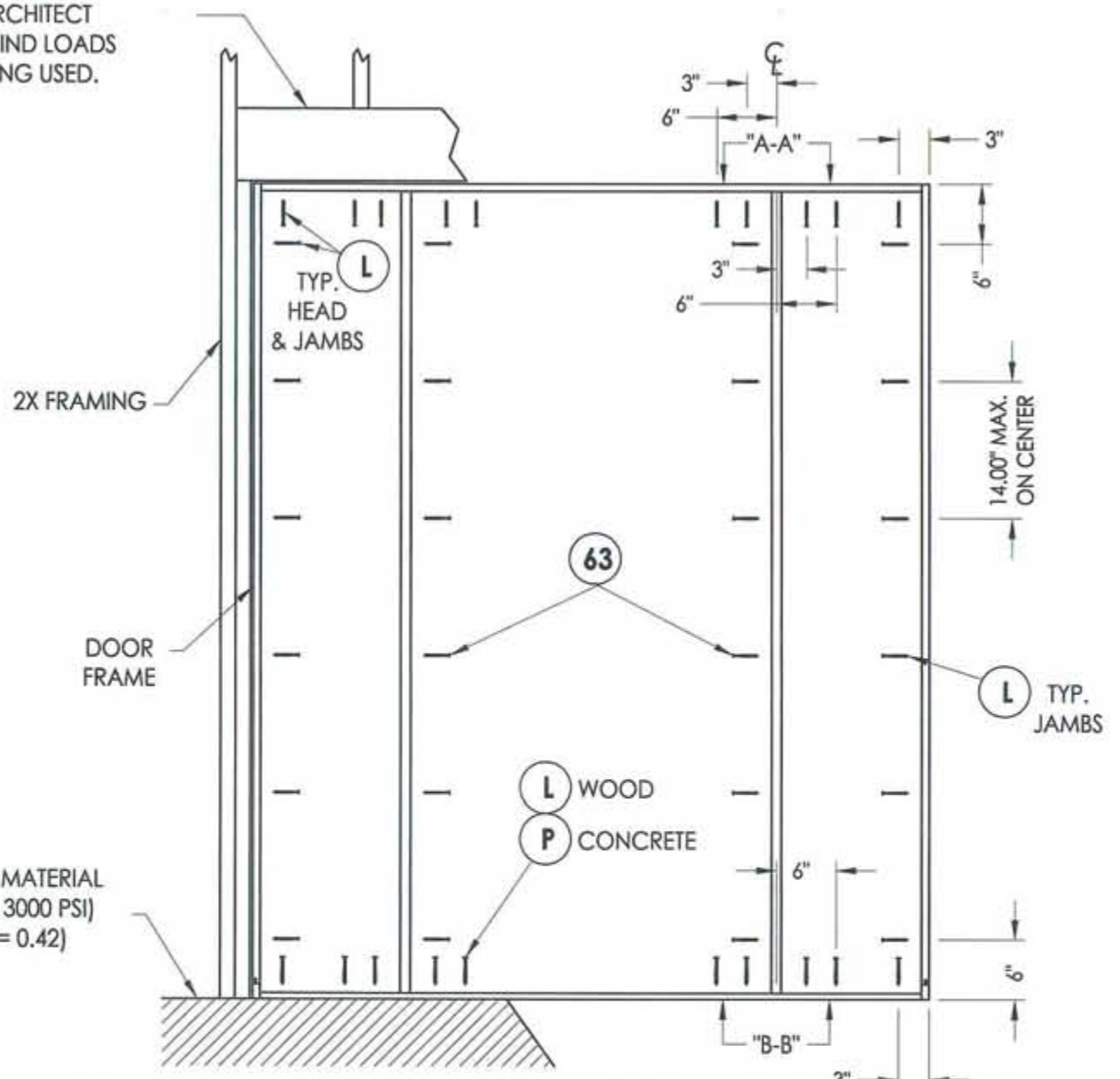
PRODUCT:		TRINITY GLASS INT'L 6'8 PREMIUM OPAQUE	
PART OR ASSEMBLY:		VERTICAL CROSS SECTIONS	
NO.	DATE	BY	REVISIONS
2	7/27/09	AL	TDI PRODUCT EVALUATION UPDATE
1	6/28/06	EW	REVISED LOCKSET NOMENCLATURE
DATE:		8/25/05	
SCALE:		N.T.S.	
DWG. BY:		EW	
CHK. BY:		LFS	
DRAWING NO.:		TX-590	
SHEET		6 OF 9	

R:\A - Projects\Project Folders\proj_650 - 800\pf742\TX-590\TX-590.dwg, 7

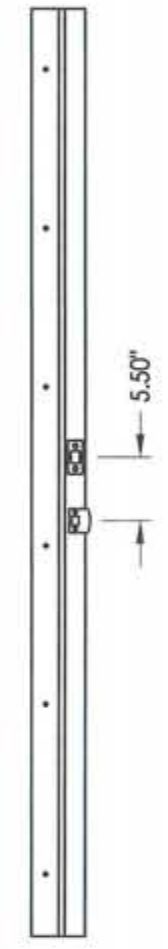
2X FRAMING TO BE DESIGNED BY THE ENGINEER OR ARCHITECT OF RECORD BASED ON WIND LOADS AND THE CLADDING BEING USED.



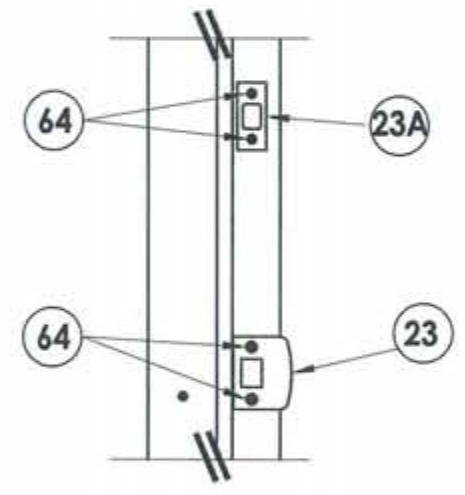
HINGE MULLION



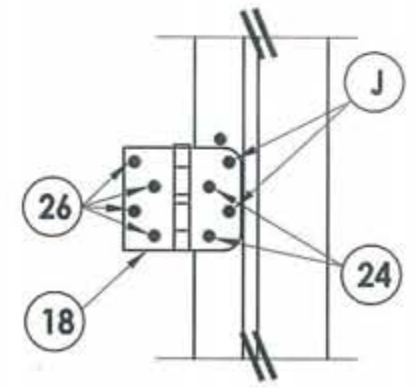
FRAME ANCHORING
Stud construction



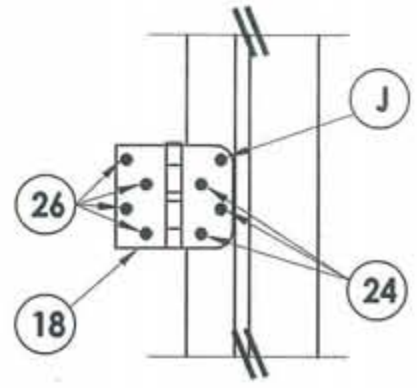
STRIKE MULLION



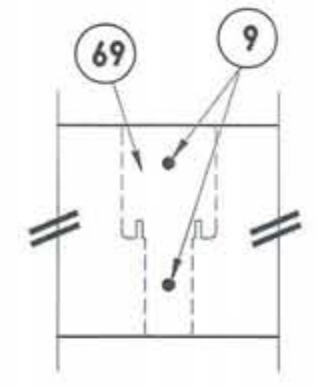
STRIKE PLATE DETAIL



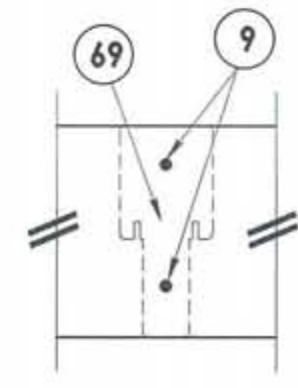
HINGE DETAIL 1



HINGE DETAIL 2



VIEW A-A
Head to mullion attachment



VIEW B-B
Sill to mullion attachment

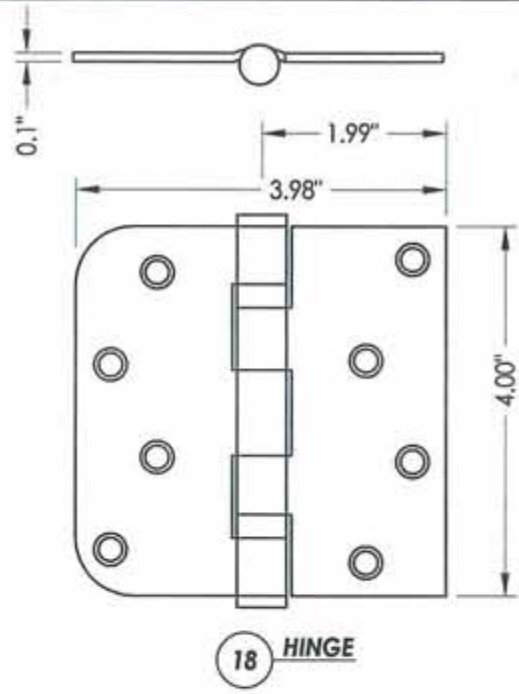


Documents Prepared By: Lyndon F. Schmidt, P.E.
TEXAS P.E. #104123

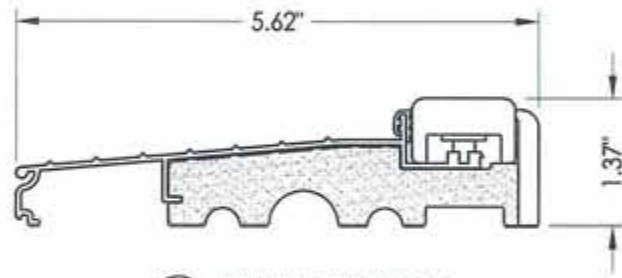
RW BUILDING CONSULTANTS, INC.
P.O. Box 230 Valrico FL 33595
Phone No.: 813.659.9197

TEXAS BOARD OF PROFESSIONAL ENGINEERS
CERTIFICATE OF REGISTRATION # F-11852

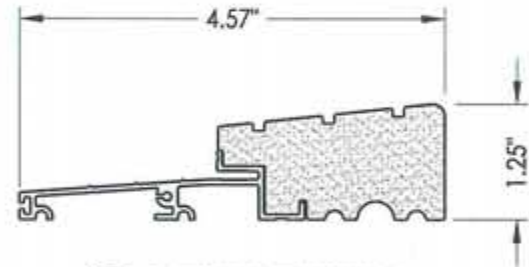
PRODUCT:		TRINITY GLASS INT'L 6 8 PREMIUM OPAQUE	
PART OR ASSEMBLY:		FRAME ANCHORING	
NO.	DATE	BY	REVISIONS
2	7/27/09	AL	TDI PRODUCT EVALUATION UPDATE
1	6/28/06	EW	REVISED LOCKSET NOMENCLATURE
DATE:		8/25/05	
SCALE:		N.T.S.	
DWG. BY:		EW	
CHK. BY:		LFS	
DRAWING NO.:		TX-590	
SHEET		7 of 9	



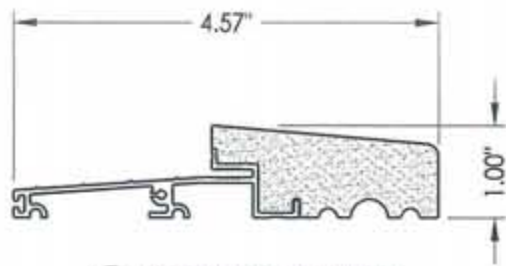
18 HINGE



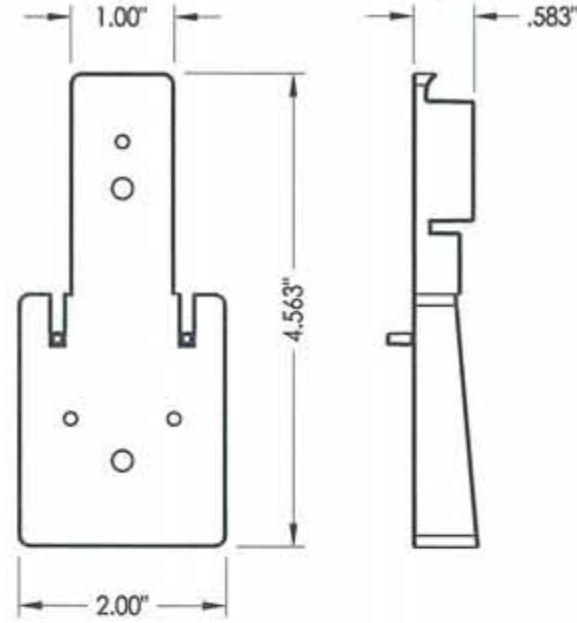
5 INSWING THRESHOLD



25 OUTSWING THRESHOLD
High-dam option



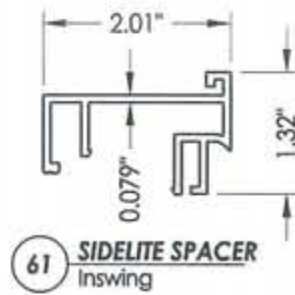
27 OUTSWING THRESHOLD



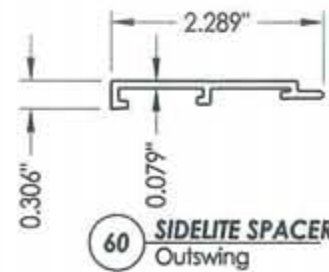
69 MULLION BASE KIT
Optional



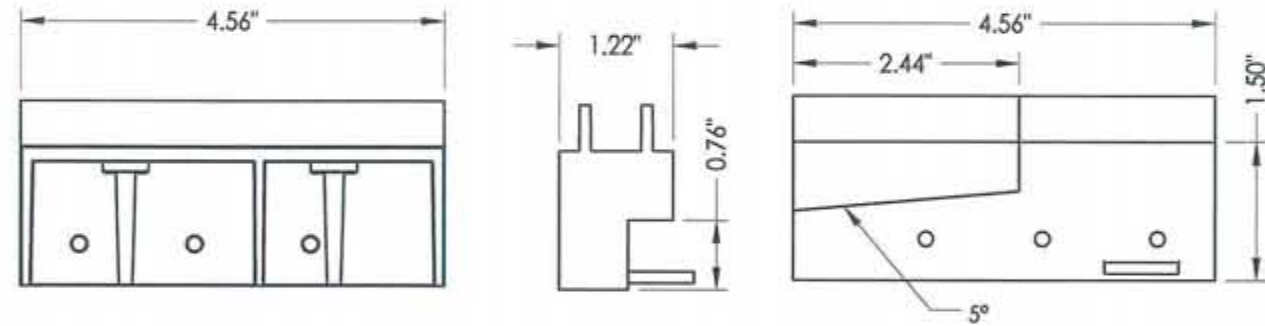
6 DOOR BOTTOM SWEEP



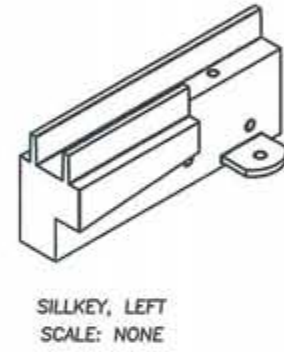
61 SIDELITE SPACER
Inswing



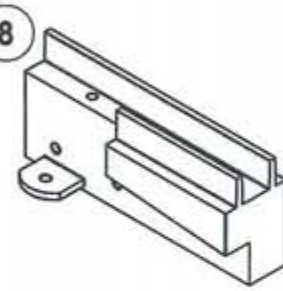
60 SIDELITE SPACER
Outswing



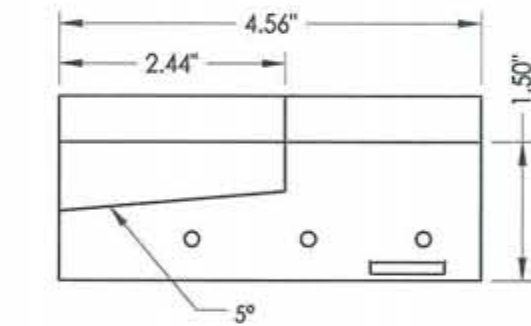
19 SILLKEY DETAILS
Optional



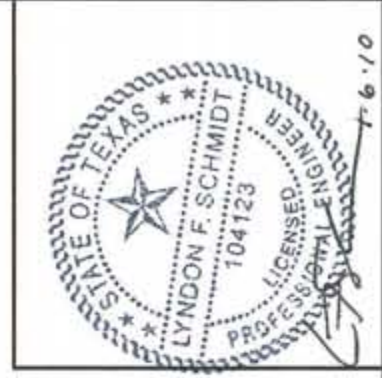
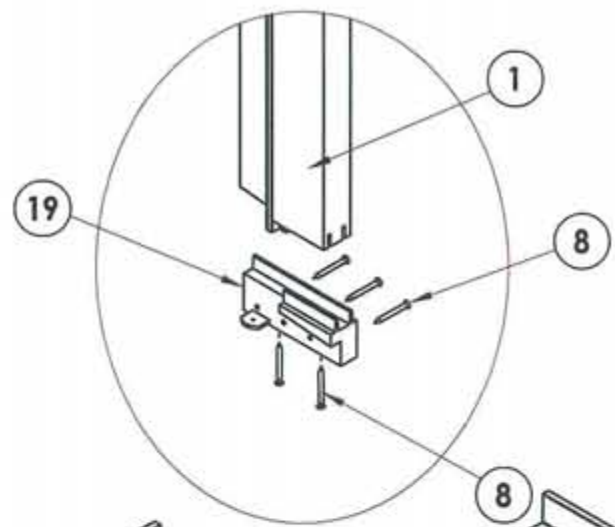
SILLKEY, LEFT
SCALE: NONE



SILLKEY, RIGHT
SCALE: NONE



4 1 SIDE & HEAD JAMBS



Documents Prepared By: Lyndon F. Schmidt, P.E.
TEXAS P.E. #104123

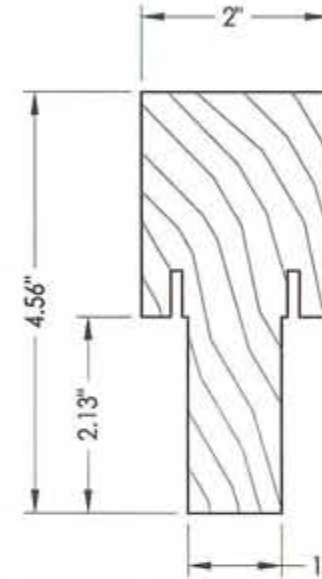
RW BUILDING CONSULTANTS, INC.
P.O. Box 230 Vero Beach, FL 33595
Phone No.: 813.669.9197

TEXAS BOARD OF PROFESSIONAL ENGINEERS
CERTIFICATE OF REGISTRATION # F-11852

PRODUCT:		TRINITY GLASS INT'L	
		6'8" PREMIUM OPAQUE	
PART OR ASSEMBLY:		COMPONENTS	
NO.	DATE	BY	REVISIONS
2	7/27/09	TDI	PRODUCT EVALUATION UPDATE
1	6/28/06	EW	REVISED LOCKSET NOMENCLATURE
			AL
			EW
			BY
DATE: 8/25/05			
SCALE: N.T.S.			
DWG. BY: EW			
CHK. BY: LFS			
DRAWING NO.: TX-590			
SHEET 8 of 9			

R:\VA - Projects\Project Folders\proj 650 - 800\p742\TX-590\TX-590.dwg, 9

BILL OF MATERIALS		
ITEM	DESCRIPTION	MATERIAL
A	2X HEADER FRAMING SG >= 0.42	WOOD
B	2X FRAMING SG >= 0.42	WOOD
G	MAX. 1/4" SHIM SPACE	WOOD
J	#9 X 2-1/4" PFH WS	STEEL
L	#8 X 3" PFH WS	STEEL
P	3/16" X 2-3/4" ITW PFH CONCRETE SCREW	STEEL
1	SIDELITE JAMB - FINGER-JOINT PINE - SG >= 0.42	WOOD
4	HEAD - FINGER-JOINT PINE - SG >= 0.42	WOOD
5	INSWING THRESHOLD ALUMINUM W/ COMPOSITE SUBSTRATE	ALUMINUM
6	DOOR BOTTOM SWEEP	PVC
7	DOOR PANEL - SEE DOOR PANEL DETAIL SHEET FOR CONSTRUCTION DETAILS	-
8	#6 X 1-1/4 PFH DRYWALL SCREW	STEEL
9	#9 X 2-1/4" PFH WOOD SCREW	STEEL
12	WEATHER STRIP QEBD650 Q-LON	-
18	3.983" X 4.0" HINGE MIN 0.098" THICK	STEEL
19	SILLKEY	PC/ASA
21	LOCK (SEE LOCK & DEADBOLT RATINGS CHART)	STEEL
22	DEADBOLT (SEE LOCK & DEADBOLT RATINGS CHART)	STEEL
23	STRIKE PLATE	STEEL
23A	DEADBOLT PLATE	STEEL
24	#9 X 5/8" PFH WS	STEEL
25	OUTSWING HIGH-DAM THRESHOLD ALUMINUM W/ COMPOSITE SUBSTRATE	ALUM./ COMP.
26	#9 X 1.0" PFH WS	STEEL
27	OUTSWING THRESHOLD ALUMINUM W/ COMPOSITE SUBSTRATE	ALUM./ COMP.
30	LATCH STILE - SG >= 0.42	LVL/PVC
31	LVL LOCK BLOCK	POPLAR
32	HINGE STILE - SG >= 0.42	LVL/PVC
33	TOP RAIL - POPLAR LVL & WPC COMBINATION	POPLAR/WPC
34	BOTTOM RAIL - POPLAR LVL & WPC COMBINATION	POPLAR/WPC
39	FIBERGLASS SKIN 0.079" MIN. THICKNESS (Fy = 5,203 PSI MIN.)	FIBERGLASS
40	#8 X 1-1/8" SELF THREDDING SCREW	STEEL
42	ALUMINUM & BUTYL SPACER SYSTEM	ALUM./BUTYL
44	HOT MELT SEALANT / SILICONE	-
45	LITE FRAME	PC/ASA
46	FOAM CORE	POLYURETHANE
60	SIDELITE SPACER - OUTSWING	PVC
61	SIDELITE SPACER - INSWING	PVC
62	QUARTER ROUND	WOOD
63	#8 x 2-1/4" PFH SCREW	STEEL
64	#8 x 2" PFH SCREW	STEEL
66	SIDELITE PANEL - SEE SIDELITE PANEL DETAIL SHEET FOR CONSTRUCTION DETAILS	-
67	INTEGRAL MULLION - FINGER JOINT PINE (SG >= 0.42)	WOOD
69	MULLION BASE KIT	PC/ASA
73	LVL SIDELITE TOP RAIL (FULL LITE)	POPLAR
74	LVL SIDELITE BOTTOM RAIL (FULL LITE)	POPLAR
75	LVL SIDELITE STILE (FULL LITE)	POPLAR



67 INTEGRAL MULLION

CONCRETE ANCHOR NOTES:

1. Substitution of equal concrete anchors from a different supplier may have different edge distance and center distance requirements.
2. Concrete anchor locations at the corners may be adjusted to maintain the min. edge distance to mortar joints. If concrete anchor locations noted as "MAX. ON CENTER" must be adjusted to maintain the min. edge distance to mortar joints, additional concrete anchors may be required to ensure the "MAX. ON CENTER" dimensions are not exceeded.
3. Concrete anchor table:

ANCHOR TYPE	ANCHOR SIZE	MIN. EMBEDMENT	MIN. CLEARANCE TO MASONRY EDGE	MIN. CLEARANCE TO ADJACENT ANCHOR
ITW	3/16"	1-3/4"	2-5/8"	2-1/4"
ELCO	3/16"	1-3/4"	1"	3"



Documents Prepared By: Lyndon F. Schmidt, P.E.
TEXAS P.E. #104123

RW BUILDING CONSULTANTS, INC.
P.O. Box 230 Vairico FL 33595
Phone No.: 813.659.9197

TEXAS BOARD OF PROFESSIONAL ENGINEERS
CERTIFICATE OF REGISTRATION # F-11852

PRODUCT: TRINITY GLASS INT'L
6.8 PREMIUM OPAQUE

PART OR ASSEMBLY:
BILL OF MATERIALS

NO.	DATE	REVISIONS
2	7/27/09	TDI PRODUCT EVALUATION UPDATE
1	6/28/06	REVISED LOCKSET NOMENCLATURE
		BY

DATE: 8/25/05

SCALE: N.T.S.

DWG. BY: EW

CHK. BY: LFS

DRAWING NO.:

TX-590

SHEET 9 of 9