



4621 192nd STREET EAST TACOMA, WA 98446

# 6'0 X 6'8 OPAQUE PREMIUM FIBERGLASS DOUBLE DOOR WITH SIDELITES (BOXED)

## INSWING / OUTSWING "IMPACT" DOUBLE DOOR WITH "NON-IMPACT" SIDELITES

### EVALUATED FOR USE IN THE STATE OF TEXAS

The Trinity Opaque Premium Fiberglass Door with boxed sidelites described herein complies with the 2006 International Residential Code (IRC), Sections R301 & R613 and the 2006 International Building Code (IBC), Sections 1405.12, 1609, 1714.5, 2403 and 2404 (including Texas revisions) subject to the following conditions:

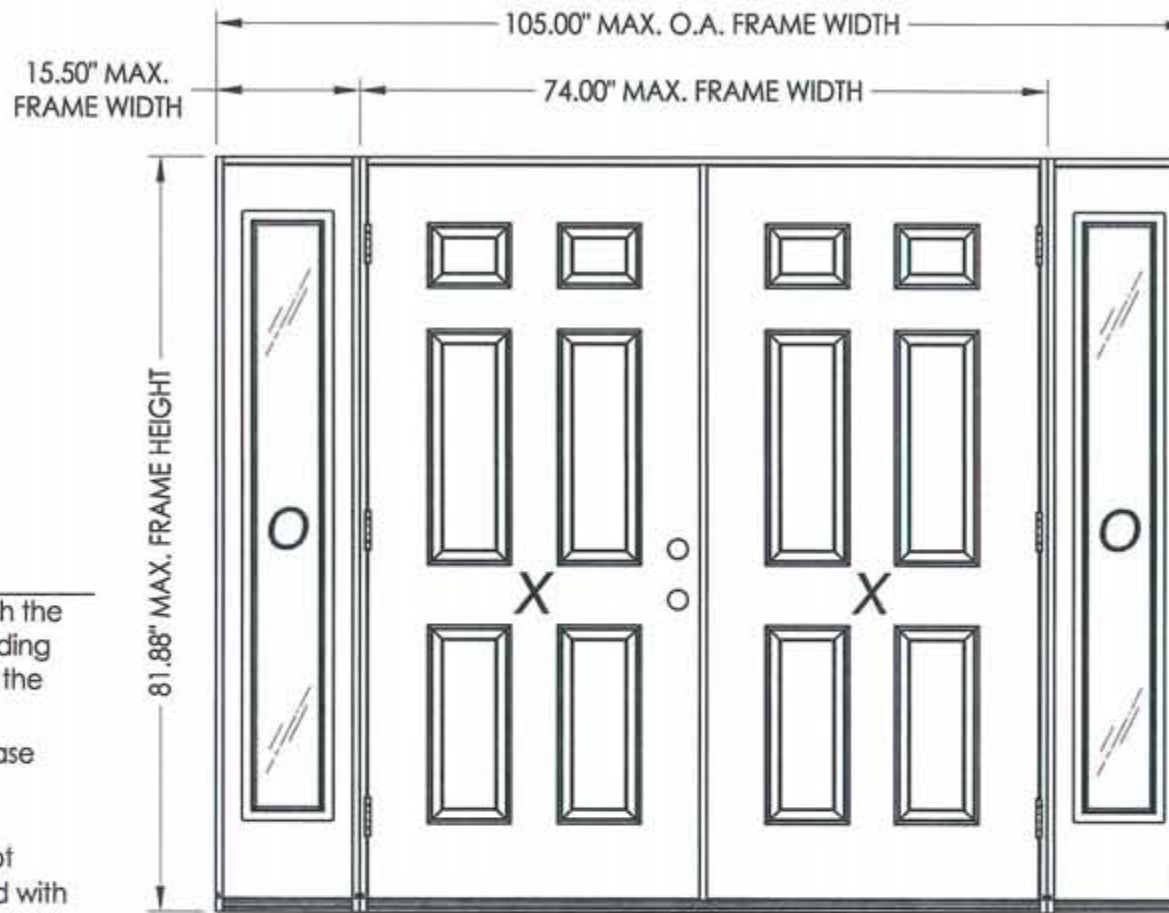
1. Anchors shall be as listed and spaced as shown in the details. Anchor embedment to base material shall be beyond wall dressing or stucco.
2. When used in wind borne debris regions, the opaque door panel complies with Sections R301.2.1.2 of the IRC and 1609.1.2 of the IRC as an impact resistant product and does not require the use of an approved impact resistant covering. The sidelite must be protected with an impact resistant covering that complies with sections R301.2.1.2 and 1609.1.2. This product does not meet the requirements for enhanced protection of essential facilities as defined in ASTM E1996.
3. Allowable design pressure requirements must be equal to or less than the design pressure rating shown in the design pressure chart, sheet 1 of this drawing.
4. Conditions not covered by this drawing are subject to further engineering analysis.

### SUPPORTING DOCUMENTS & EVIDENCE

1. Testing per ASTM E330-02, ASTM E1886-02 and ASTM E1996-02 as performed by Testing Evaluation Laboratories, Inc. and reported in test report numbers TEL 08-01370020-A, TEL 08-01370020, TEL 05-0411-3 and TEL 05-0411-6, signed by Wendell W. Haney, P.E.
2. Calculations (Anchoring and Glass load resistance report ASTM E1300-04) prepared by Lyndon F. Schmidt, P.E.
3. Certificate of Participation issued by the National Accreditation and Management Institute, Inc., certifying that Trinity Glass Int'l is manufacturing products within a Quality Assurance program.

TABLE OF CONTENTS

SHEET #	DESCRIPTION	SHEET #	DESCRIPTION
1	Typical elevations, design pressures & general notes	8	Components
2	Door panel construction details	9	Endura astragal details
3	Sidelite panel construction details & glazing details	10	TRC astragal details
4	Horizontal cross sections	11	PVC astragal details
5	Vertical cross sections	12	Columbia astragal details
6	Vertical cross sections	13	Bill of materials
7	Frame anchoring		



Documents Prepared By: Lyndon F. Schmidt, P.E.  
TEXAS P.E. #104123

**RW** BUILDING CONSULTANTS, INC.  
P.O. Box 230 Valrico FL, 33595  
Phone No.: 813.859.9197

TEXAS BOARD OF PROFESSIONAL ENGINEERS  
CERTIFICATE OF REGISTRATION # F-11852

PRODUCT: TRINITY GLASS INT'L  
6'8 PREMIUM OPAQUE

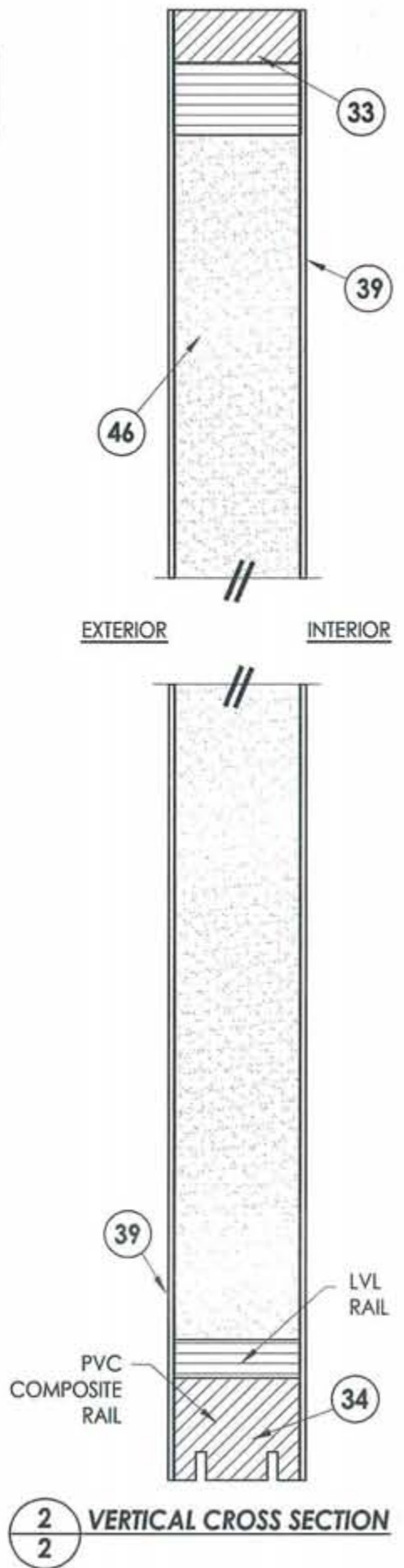
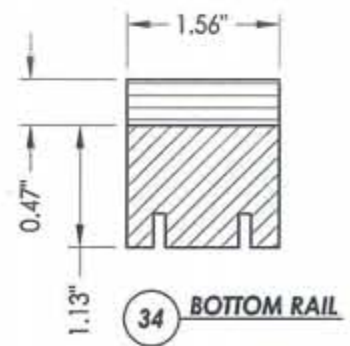
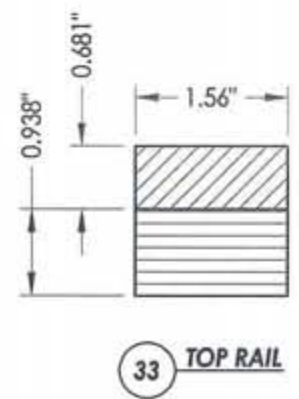
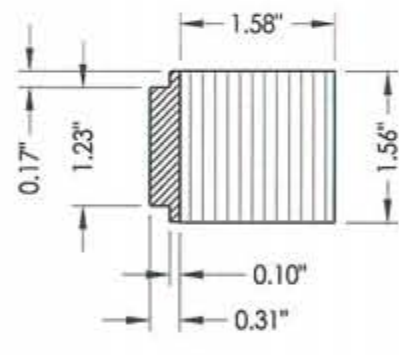
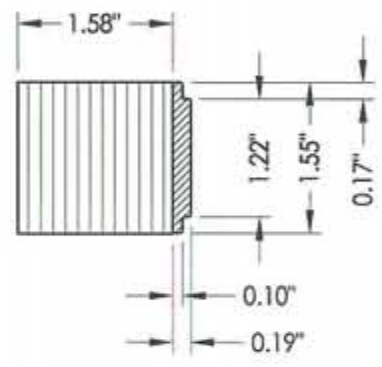
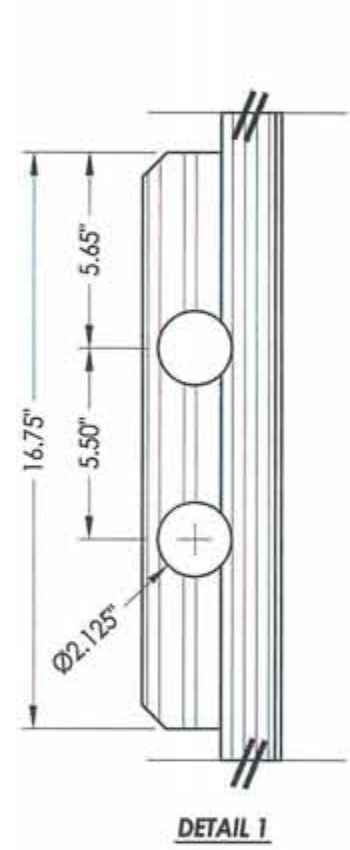
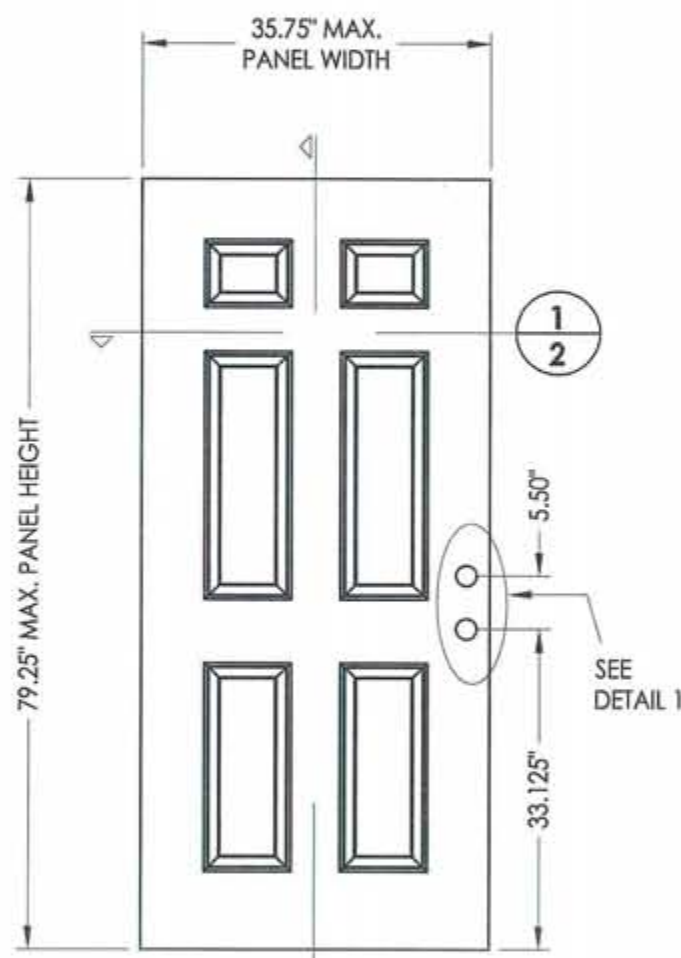
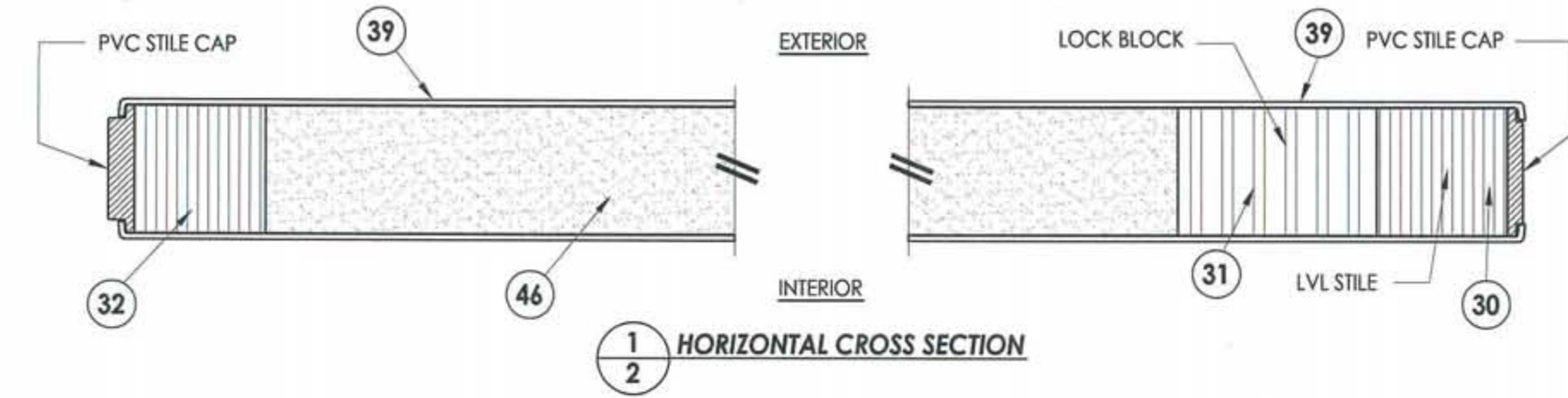
PART OR ASSEMBLY:  
TYPICAL ELEVATION, DESIGN  
PRESSURES & GENERAL NOTES

ASTRAGAL TYPE	SWING	MAX. FRAME DIMENSION	GLASS TYPE	DESIGN PRESSURE (PSF)	
				POSITIVE	NEGATIVE
ENDURA	INSWING	105.00" x 81.88"	G1	+55.0	-55.0
TRC		105.00" x 81.88"		+55.0	-55.0
PVC		105.00" x 81.88"		+43.0	-47.0
COLUMBIA		105.00" x 81.88"		+55.0	-55.0
ENDURA	OUTSWING	105.00" x 80.75"	G1	+55.0	-55.0
TRC		105.00" x 80.75"		+55.0	-55.0
PVC		105.00" x 80.75"		+43.0	-43.0
COLUMBIA		105.00" x 80.75"		+55.0	-55.0

Refer to Table (sheet 4) for Passage Lock Rating Limitations

NO.	DATE	BY	REVISIONS
2	7/27/09	AL	TDI PRODUCT EVALUATION UPDATE
1	6/28/06	EW	REVISED LOCKSET NOMENCLATURE

DATE: 8/24/05  
SCALE: N.T.S.  
DWG. BY: EW  
CHK. BY: LFS  
DRAWING NO.: TX-588  
SHEET 1 OF 13



Documents Prepared By: Lyndon F. Schmidt, P.E.  
TEXAS P.E. #104123

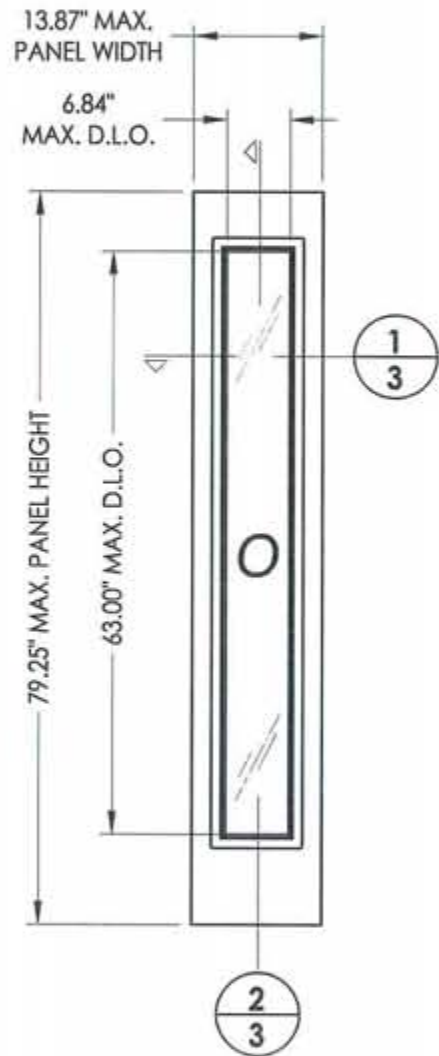
**RW** BUILDING CONSULTANTS, INC.  
P.O. Box 230 Valrico FL 33595  
Phone No.: 813.659.9197

TEXAS BOARD OF PROFESSIONAL ENGINEERS  
CERTIFICATE OF REGISTRATION # F-11852

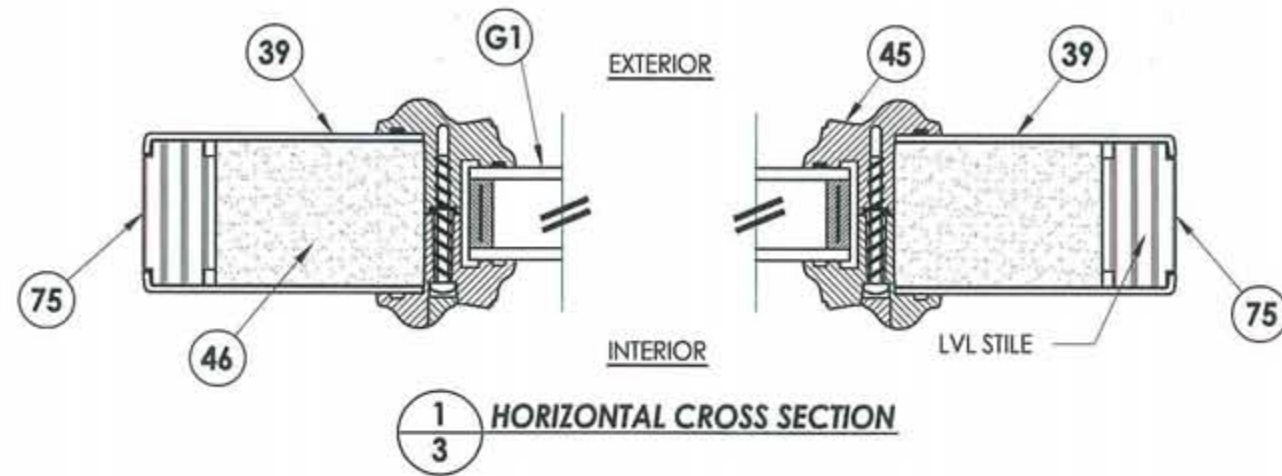
PRODUCT:	TRINITY GLASS INT'L 6 8 PREMIUM OPAQUE
PART OR ASSEMBLY:	DOOR PANEL CONSTRUCTION DETAILS

NO.	DATE	BY	REVISIONS
2	7/27/09	AL	TDI PRODUCT EVALUATION UPDATE
1	6/28/06	EW	REVISED LOCKSET NOMENCLATURE

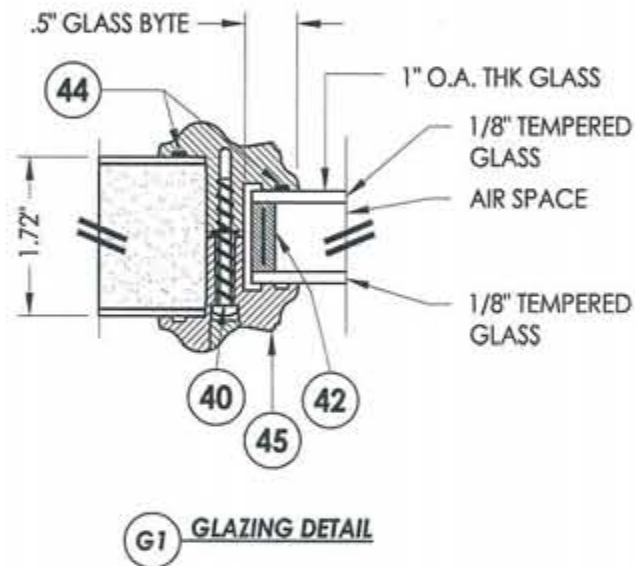
DATE:	8/24/05
SCALE:	N.T.S.
DWG. BY:	EW
CHK. BY:	LFS
DRAWING NO.:	TX-588
SHEET	2 of 13



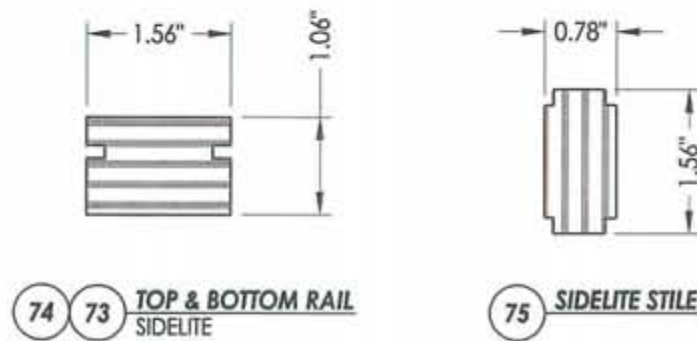
66 FIBERGLASS SIDELITE  
"NON-IMPACT"



1/3 HORIZONTAL CROSS SECTION

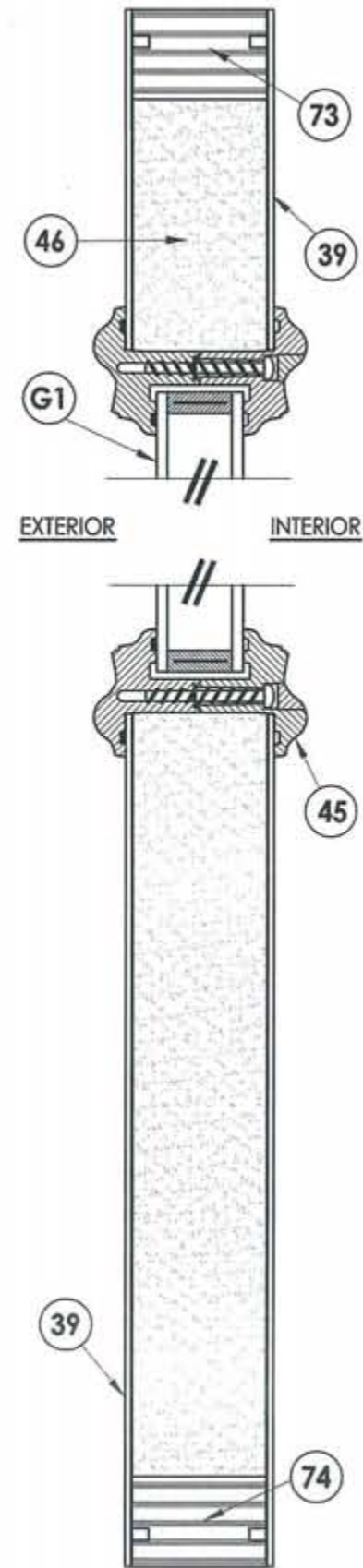


G1 GLAZING DETAIL



74 73 TOP & BOTTOM RAIL  
SIDELITE

75 SIDELITE STILE



2/3 VERTICAL CROSS SECTION



Documents Prepared By: Lyndon F. Schmidt, P.E.  
TEXAS P.E. #104123

**RW** BUILDING CONSULTANTS, INC.  
P.O. Box 230 Valrico FL 33595  
Phone No.: 813.659.9197

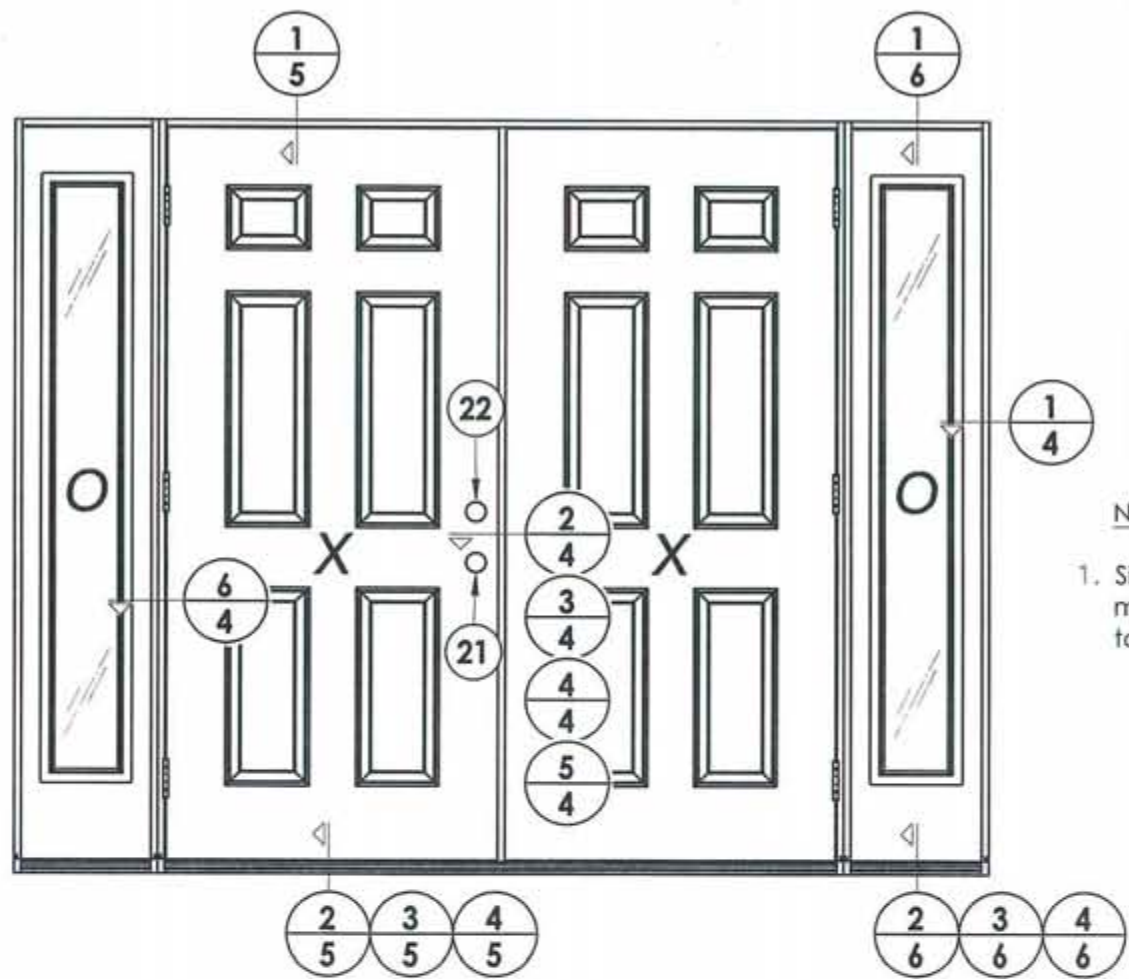
TEXAS BOARD OF PROFESSIONAL ENGINEERS  
CERTIFICATE OF REGISTRATION # F-11852

PRODUCT: TRINITY GLASS INT'L  
6'8\"/>

PART OR ASSEMBLY:		REVISIONS	
NO.	DATE	BY	
2	7/27/09	AL	TDI PRODUCT EVALUATION UPDATE
1	6/28/06	EW	REVISED LOCKSET NOMENCLATURE

DATE: 8/24/05  
SCALE: N.T.S.  
DWG. BY: EW  
CHK. BY: LFS  
DRAWING NO.: TX-588  
SHEET 3 of 13

R:\A - Projects\Project Folders\proj 650 - 800\p742\TX-588\TX-588.dwg, 4

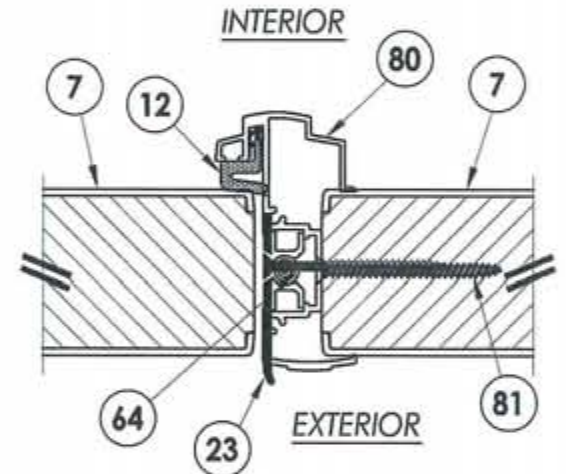


LOCK & DEADBOLT RATINGS CHART				
MANUFACTURER	MODEL	ITEM #	MAX. DESIGN PRESSURE (PSF)	
			POSITIVE	NEGATIVE
KWIKSET	LOCK: 740	21	+55.0	-55.0
	DEADBOLT: 780	22		
KWIKSET	LOCK: COMBO 660	21	+55.0	-55.0
	DEADBOLT: COMBO 660	22		
SCHLAGE	LOCK: MAX. SECURITY	21	+55.0	-55.0
	DEADBOLT: MAX. SECURITY	22		

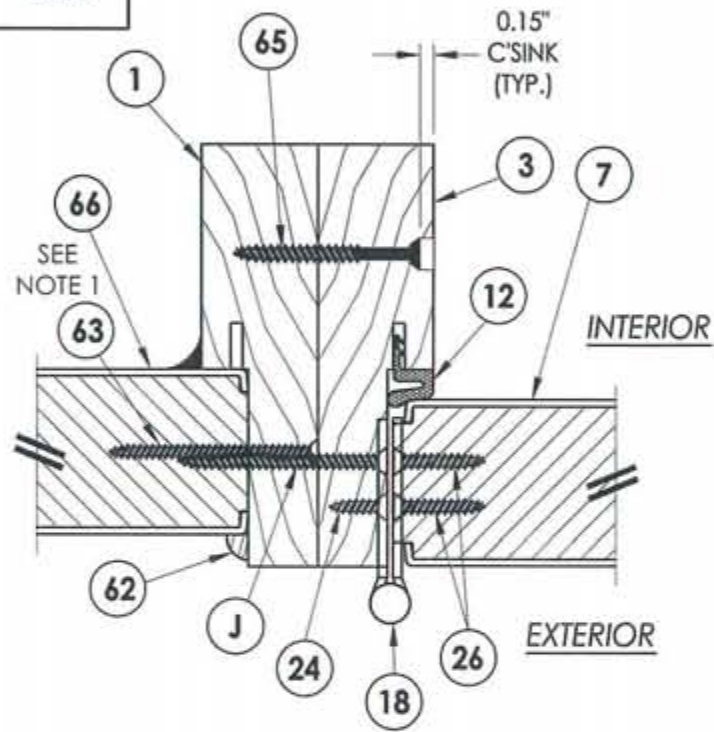
NOTE:  
 1. Sidelite ass'y fastener: 6" from each end and 4 more screws equally spaced between (6 screws total per jamb).



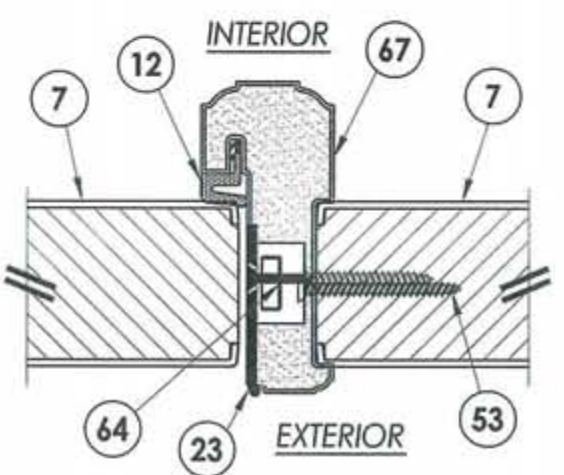
Documents Prepared By: Lyndon F. Schmidt, P.E.  
 TEXAS P.E. #104123  
 R.W. BUILDING CONSULTANTS, INC.  
 P.O. Box 230 Vero Beach, FL 33595  
 Phone No.: 813.659.9197  
 TEXAS BOARD OF PROFESSIONAL ENGINEERS  
 CERTIFICATE OF REGISTRATION # F-11852



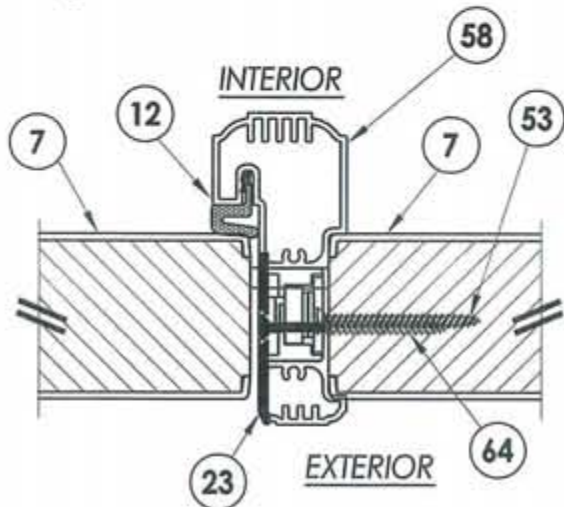
5 HORIZONTAL CROSS SECTION  
 4 Columbia astragal



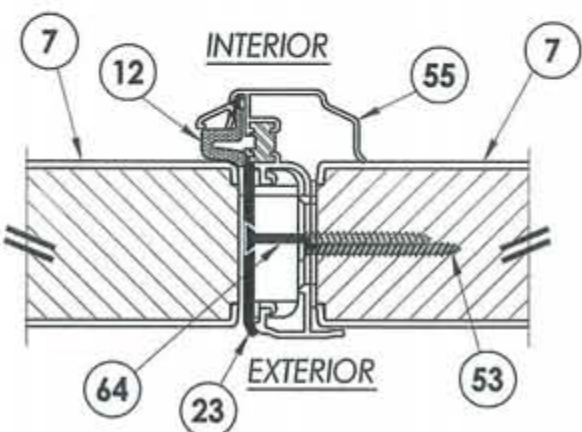
6 HORIZONTAL CROSS SECTION  
 4 Endura astragal



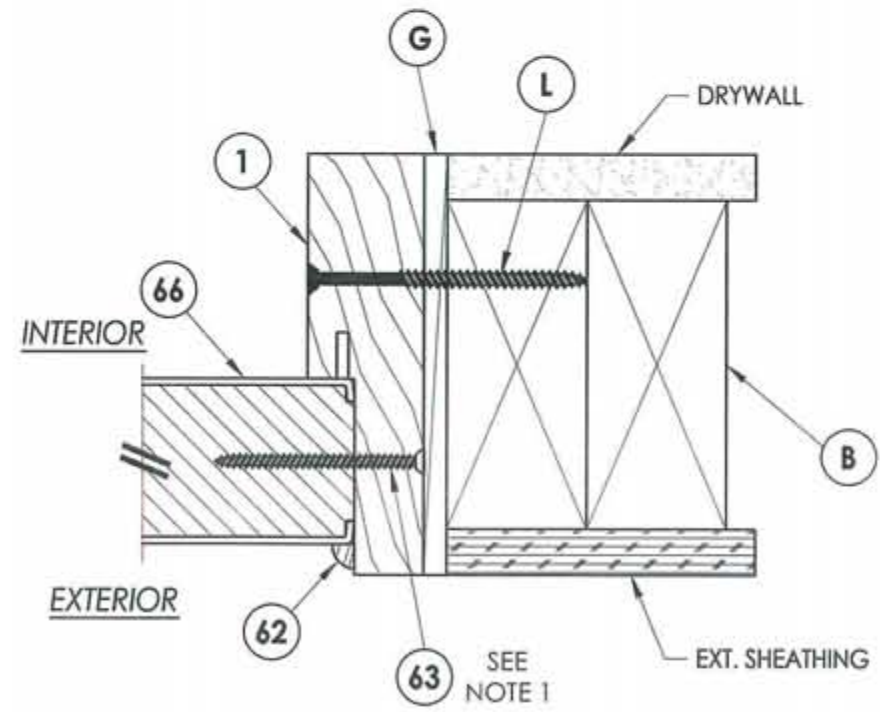
2 HORIZONTAL CROSS SECTION  
 4 PVC astragal



3 HORIZONTAL CROSS SECTION  
 4 TRC astragal



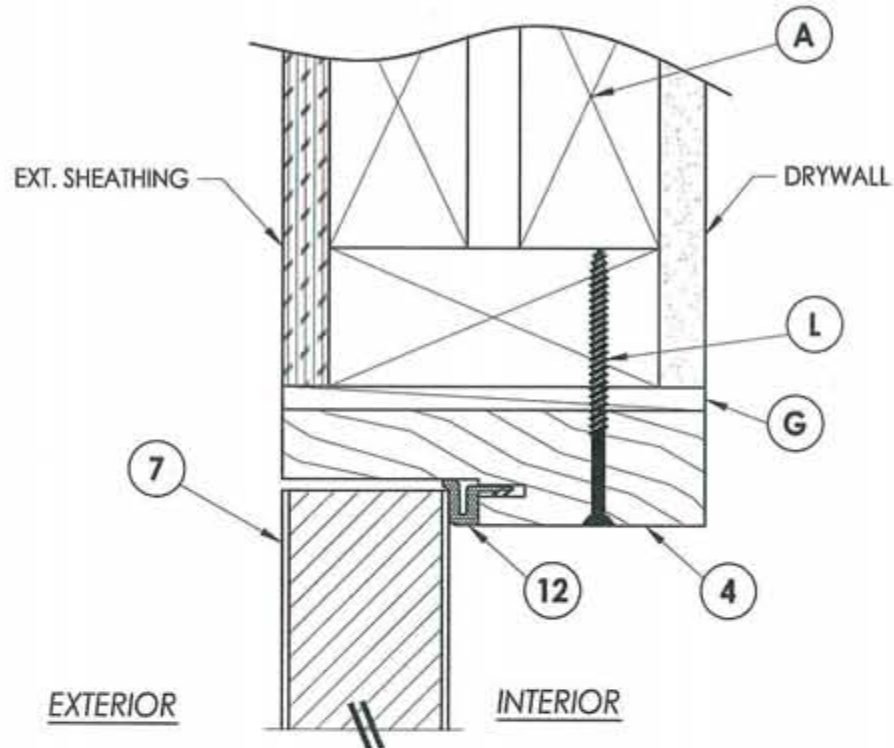
4 HORIZONTAL CROSS SECTION  
 4 Endura astragal



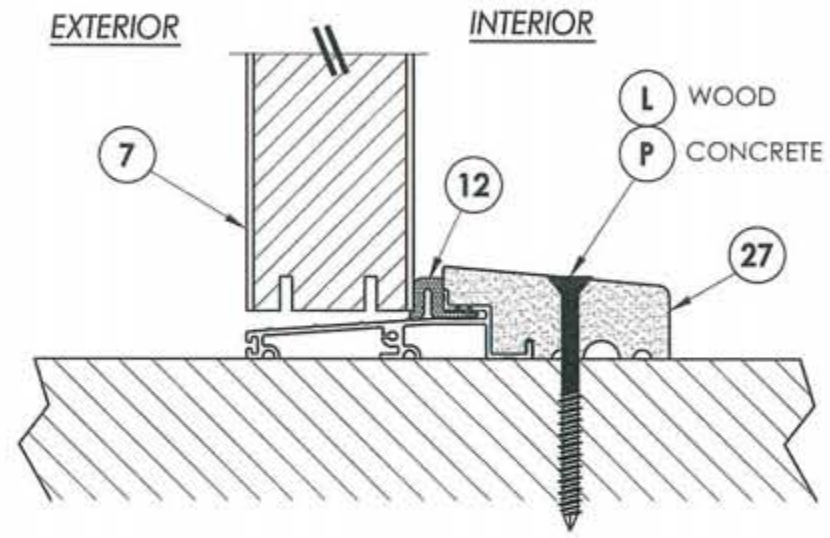
1 HORIZONTAL CROSS SECTION  
 4

PRODUCT:	TRINITY GLASS INT'L 6/8 PREMIUM OPAQUE	
PART OR ASSEMBLY:	HORIZONTAL CROSS SECTIONS	
NO.	DATE	REVISIONS
2	7/27/09	TDI PRODUCT EVALUATION UPDATE
1	6/28/06	REVISED LOCKSET NOMENCLATURE
		AL
		EW
		BY
DATE:	8/24/05	
SCALE:	N.T.S.	
DWG. BY:	EW	
CHK. BY:	LFS	
DRAWING NO.:	TX-588	
SHEET	4	OF 13

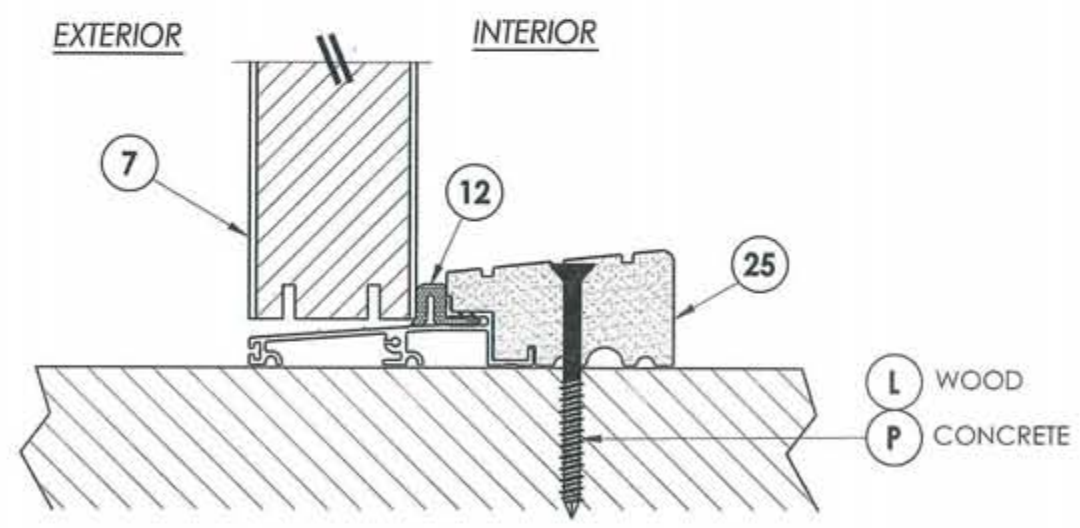
© 2009 R.W. BUILDING CONSULTANTS INC.



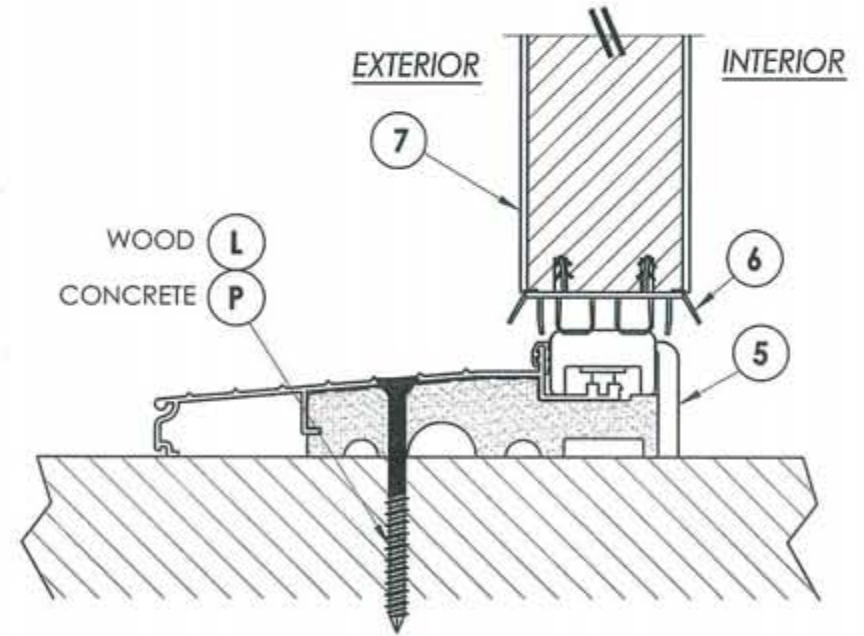
**1 VERTICAL CROSS SECTION**  
**5** Outswing shown  
 Inswing also approved



**2 VERTICAL CROSS SECTION**  
**5** Outswing configuration



**3 VERTICAL CROSS SECTION**  
**5** Outswing configuration



**4 VERTICAL CROSS SECTION**  
**5** Inswing configuration



Documents Prepared By: Lyndon F. Schmidt, P.E.  
 TEXAS P.E. #104123

**RW** BUILDING CONSULTANTS, INC.  
 P.O. Box 230 Valrico FL 33595  
 Phone No.: 813.659.9197

TEXAS BOARD OF PROFESSIONAL ENGINEERS  
 CERTIFICATE OF REGISTRATION # F-11852

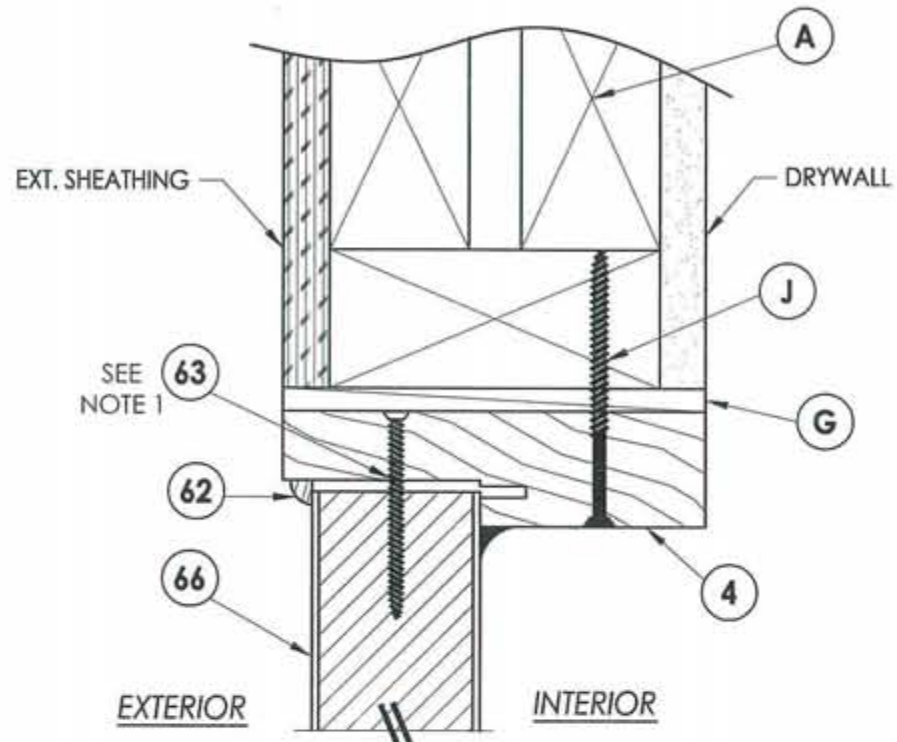
PRODUCT: TRINITY GLASS INT'L  
 6"8 PREMIUM OPAQUE

PART OR ASSEMBLY:  
 VERTICAL CROSS SECTIONS

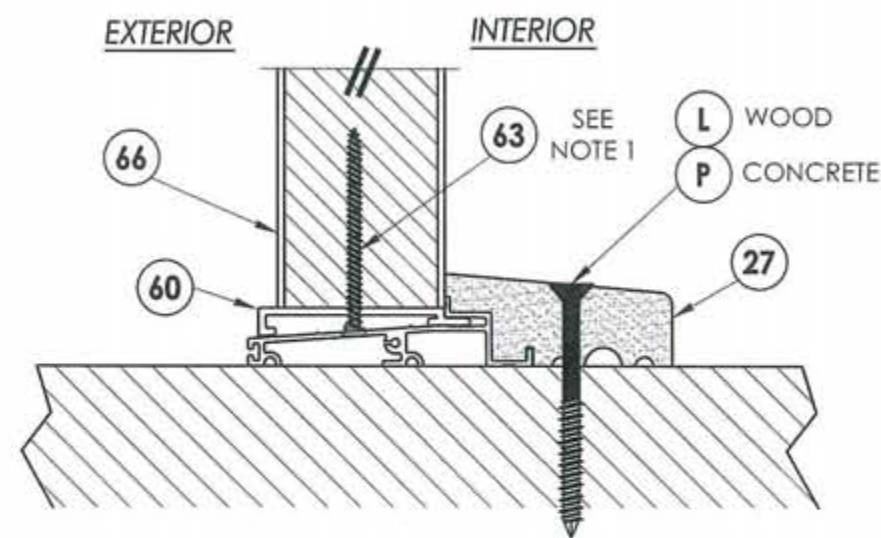
NO.	DATE	BY	REVISIONS
2	7/27/09	AL	TDI PRODUCT EVALUATION UPDATE
1	6/28/06	EW	REVISED LOCKSET NOMENCLATURE

DATE: 8/24/05  
 SCALE: N.T.S.  
 DWG. BY: EW  
 CHK. BY: LFS  
 DRAWING NO.: TX-588  
 SHEET 5 OF 13

R:\A - Projects\Project Folders\proj 650 - 800\p742\TX-588\TX-588.dwg, 6

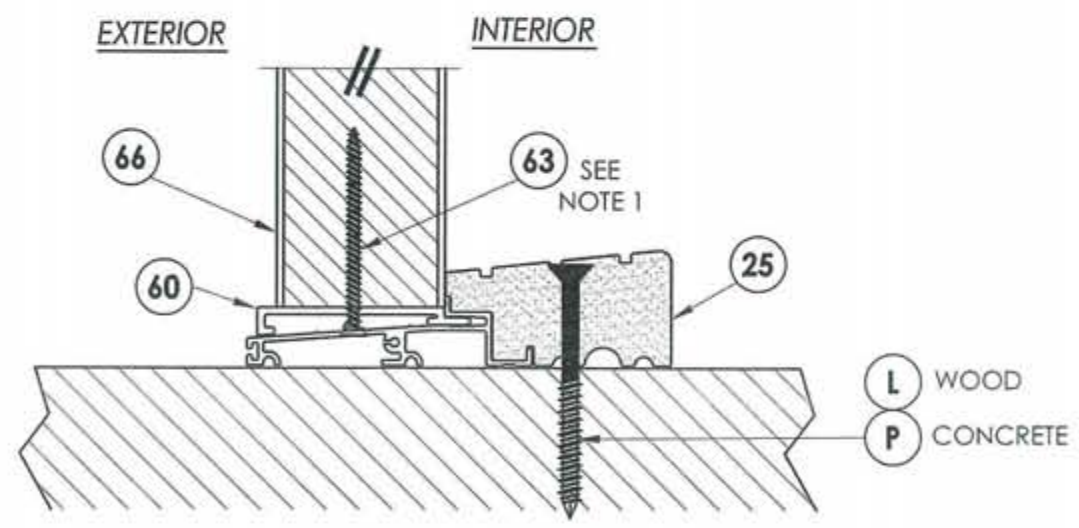


**1**  
**6** VERTICAL CROSS SECTION  
Outswing sill

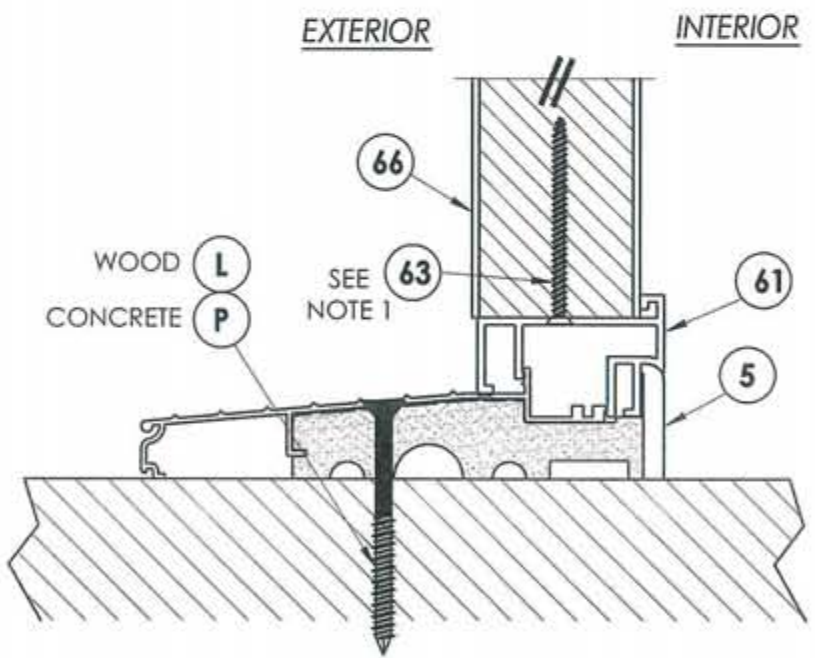


**2**  
**6** VERTICAL CROSS SECTION  
Outswing sill

NOTE:  
1. Screws thru head and sill jamb located 3" from each end and on center line.



**3**  
**6** VERTICAL CROSS SECTION  
Outswing sill - high dam



**4**  
**6** VERTICAL CROSS SECTION  
Inswing sill



Documents Prepared By: Lyndon F. Schmidt, P.E.  
TEXAS P.E. #104123

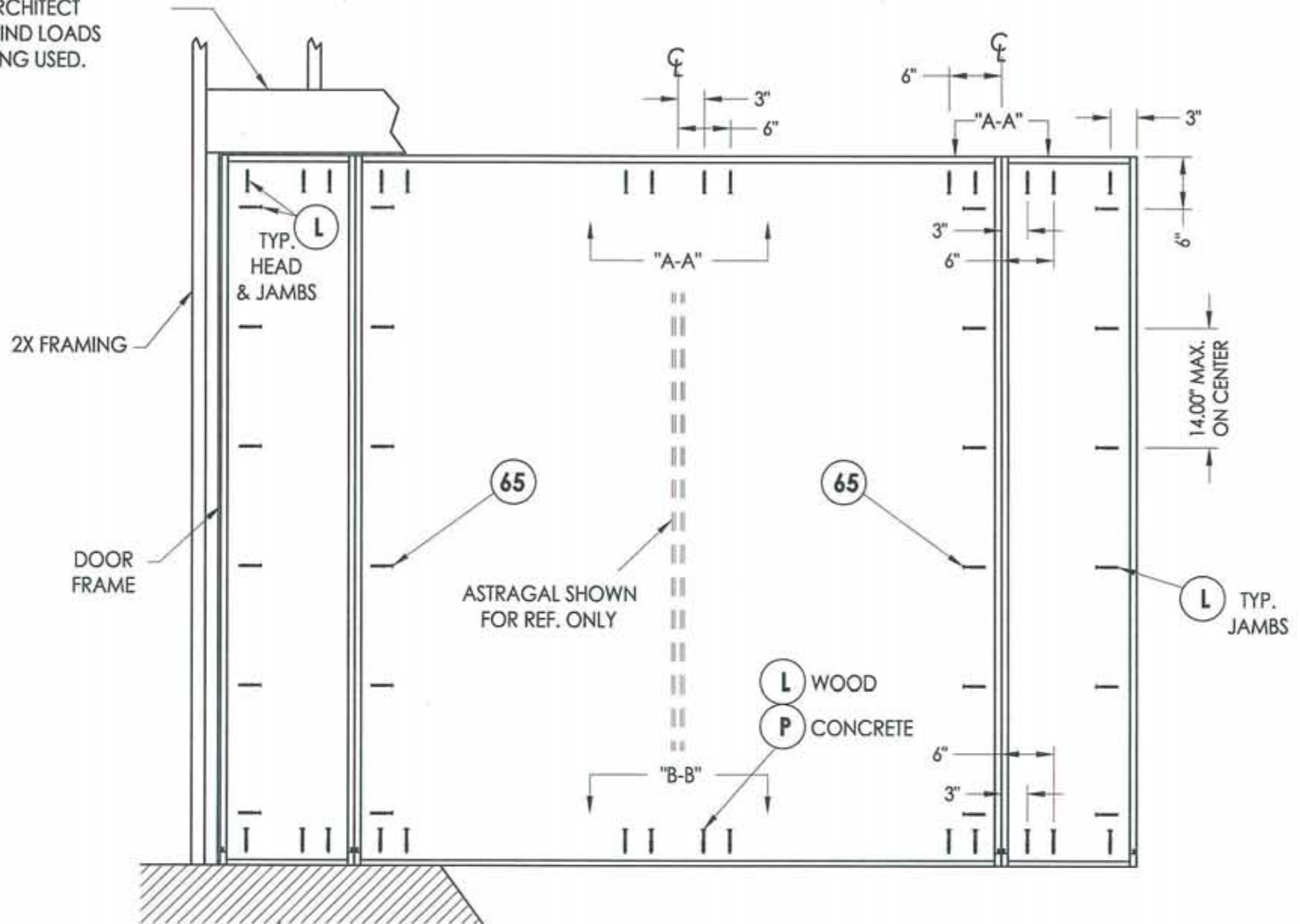
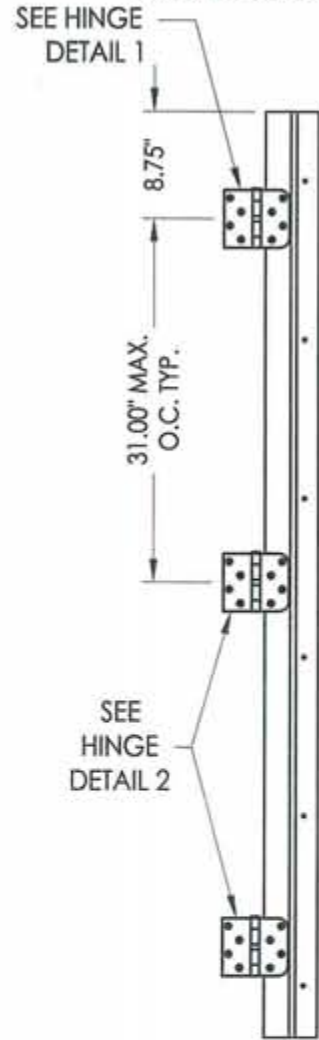
**RW** BUILDING CONSULTANTS, INC.  
P.O. Box 230 Valrico FL 33595  
Phone No.: 813.659.9197

TEXAS BOARD OF PROFESSIONAL ENGINEERS  
CERTIFICATE OF REGISTRATION # F-11852

PRODUCT:		TRINITY GLASS INT'L 6'8 PREMIUM OPAQUE	
PART OR ASSEMBLY:		VERTICAL CROSS SECTIONS	
NO.	DATE	BY	REVISIONS
2	7/27/09	AL	TDI PRODUCT EVALUATION UPDATE
1	6/28/06	EW	REVISED LOCKSET NOMENCLATURE
DATE:		8/24/05	
SCALE:		N.T.S.	
DWG. BY:		EW	
CHK. BY:		LFS	
DRAWING NO.:		TX-588	
SHEET		6 OF 13	

R:\A - Projects\Project Folders\proj 650 - 800\p742\TX-588\TX-588.dwg, 7

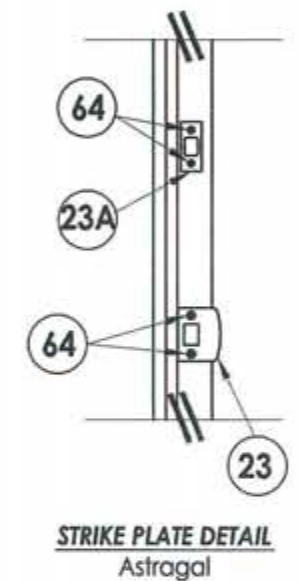
2X FRAMING TO BE DESIGNED BY THE ENGINEER OR ARCHITECT OF RECORD BASED ON WIND LOADS AND THE CLADDING BEING USED.



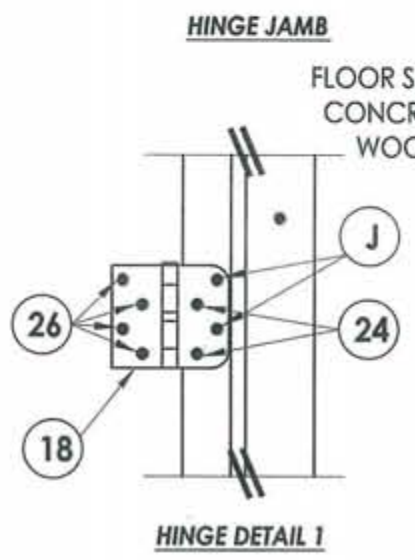
Documents Prepared By: Lyndon F. Schmidt, P.E.  
TEXAS P.E. #104123

**RW** BUILDING CONSULTANTS, INC.  
P.O. Box 230 Valrico FL 33995  
Phone No.: 813.659.9197

TEXAS BOARD OF PROFESSIONAL ENGINEERS  
CERTIFICATE OF REGISTRATION # F-11852

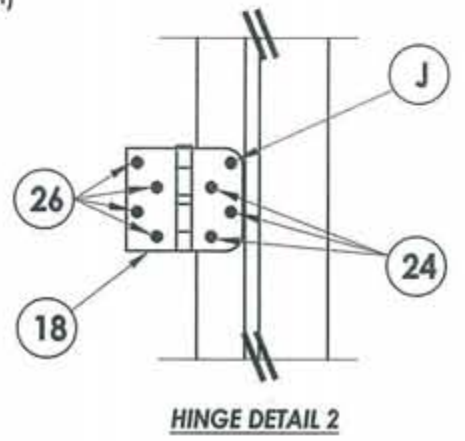


STRIKE PLATE DETAIL  
Astragal



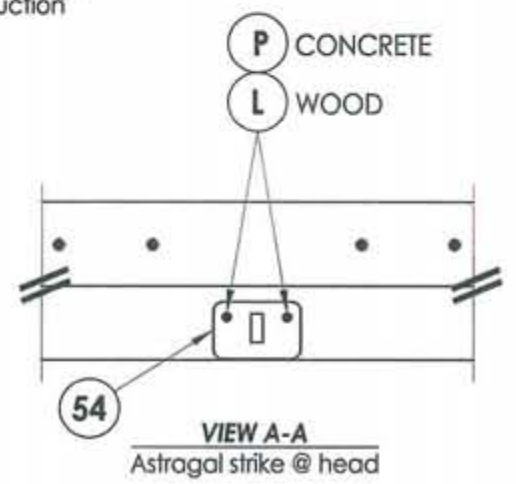
**HINGE JAMB**  
FLOOR SUBSTRATE MATERIAL  
CONCRETE (MIN. 3000 PSI)  
WOOD (S.G. >= 0.42)

HINGE DETAIL 1



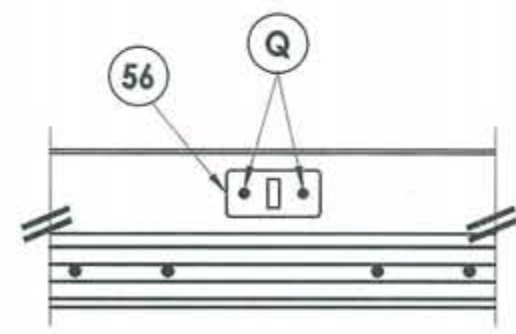
HINGE DETAIL 2

**FRAME ANCHORING**  
Stud construction



VIEW A-A  
Astragal strike @ head

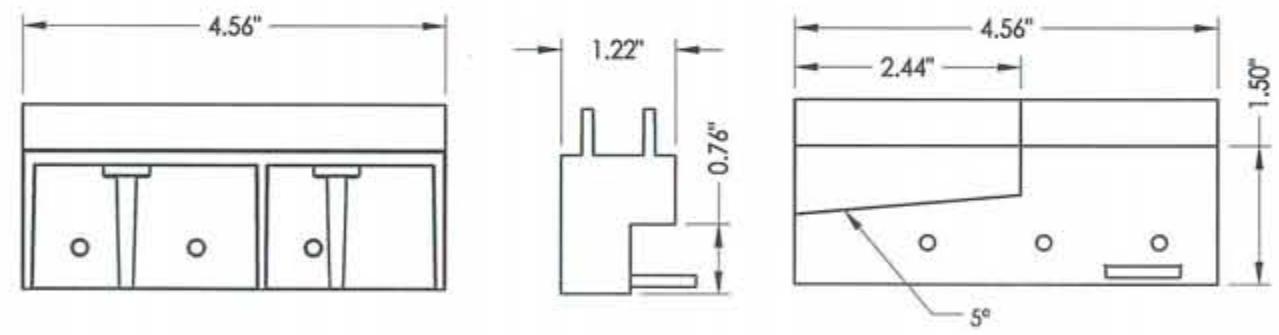
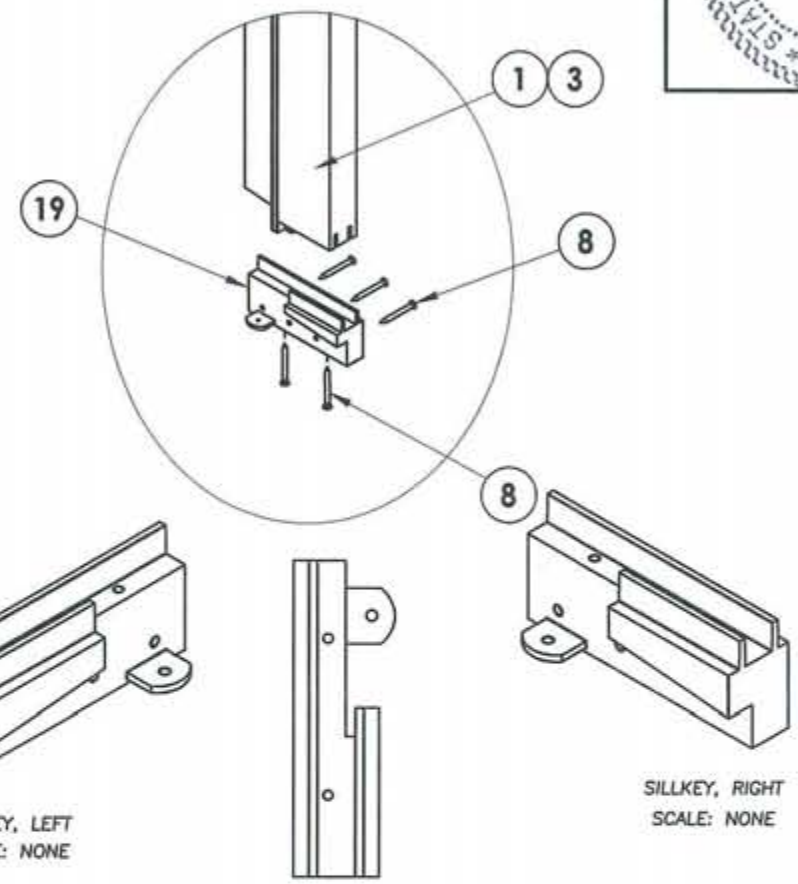
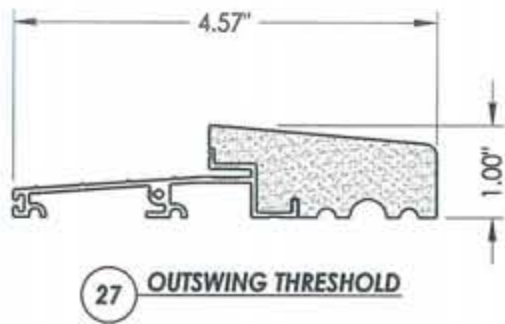
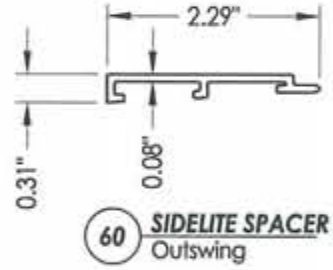
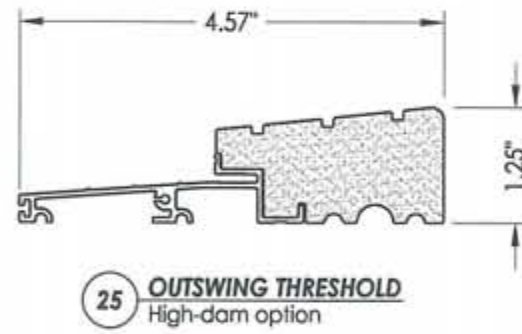
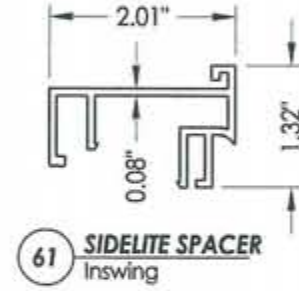
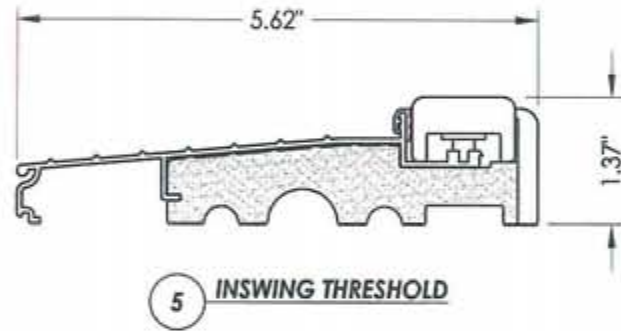
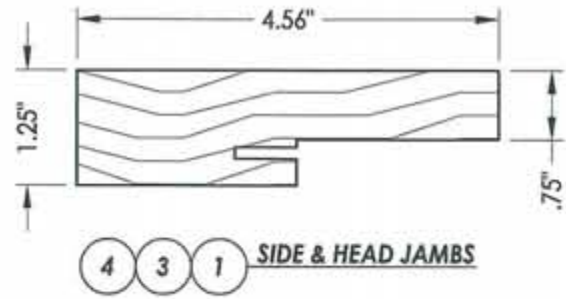
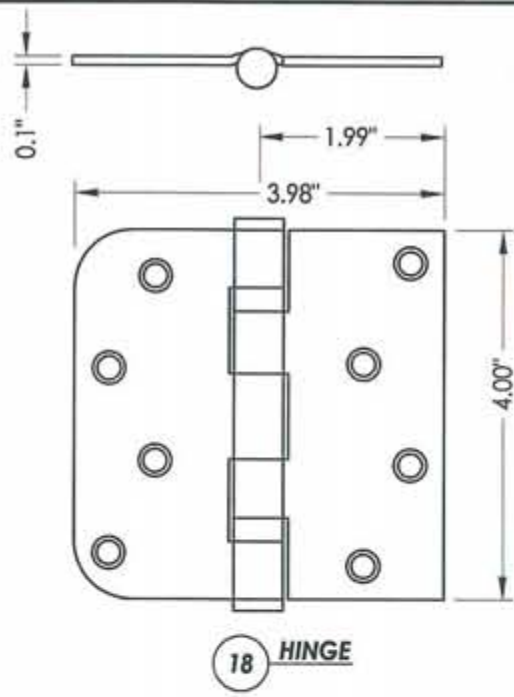
**ASTRAGAL STRIKE**



VIEW B-B  
Astragal strike @ sill

PRODUCT:		TRINITY GLASS INT'L 6 8 PREMIUM OPAQUE	
PART OR ASSEMBLY:		FRAME ANCHORING	
NO.	DATE	BY	REVISIONS
2	7/27/09	AL	TDI PRODUCT EVALUATION UPDATE
1	6/28/06	EW	REVISED LOCKSET NOMENCLATURE
DATE:		8/24/05	
SCALE:		N.T.S.	
DWG. BY:		EW	
CHK. BY:		LFS	
DRAWING NO.:		TX-588	
SHEET		7 OF 13	

© 2009 R.W. BUILDING CONSULTANTS INC.



Documents Prepared By: Lyndon F. Schmidt, P.E.  
TEXAS P.E. #104123

**RW** BUILDING CONSULTANTS, INC.  
P.O. Box 230 Valrico FL 33595  
Phone No.: 813.659.9197

TEXAS BOARD OF PROFESSIONAL ENGINEERS  
CERTIFICATE OF REGISTRATION # F-11852

PRODUCT: TRINITY GLASS INT'L  
6 8 PREMIUM OPAQUE

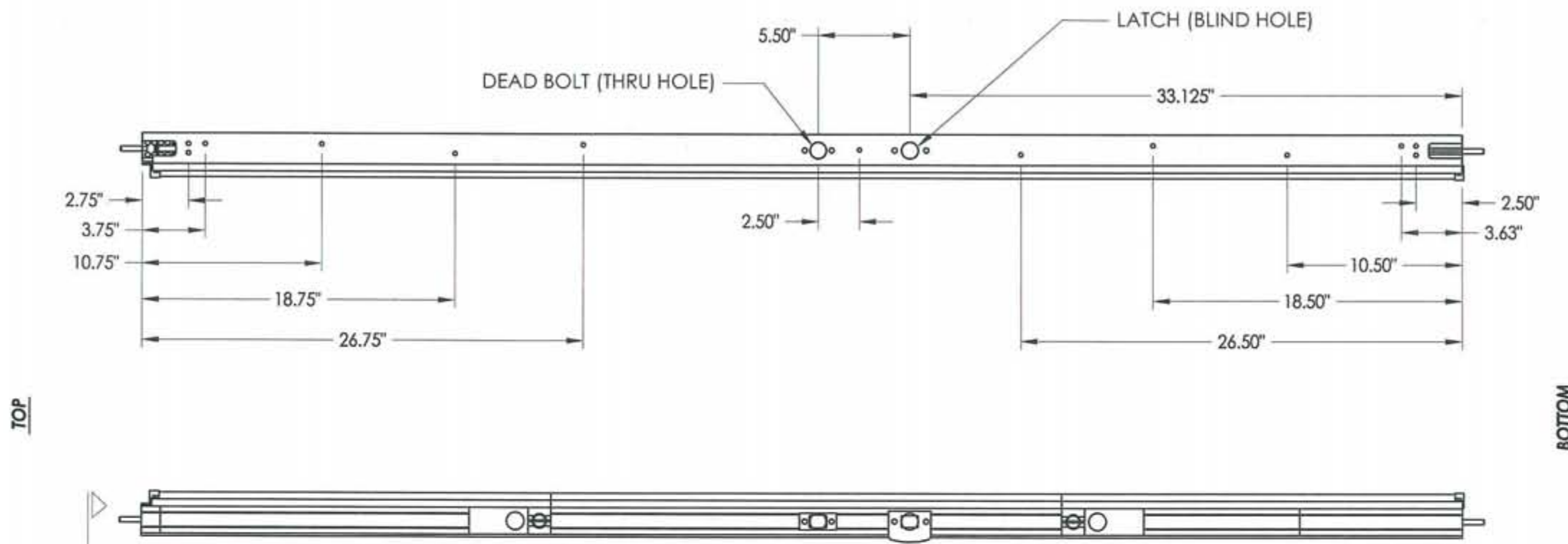
PART OR ASSEMBLY:  
COMPONENTS

NO.	DATE	REVISIONS
2	7/27/09	TDI PRODUCT EVALUATION UPDATE
1	6/28/06	REVISED LOCKSET NOMENCLATURE
		BY

DATE: 8/24/05  
SCALE: N.T.S.  
DWG. BY: EW  
CHK. BY: LFS  
DRAWING NO.: TX-588  
SHEET 8 of 13



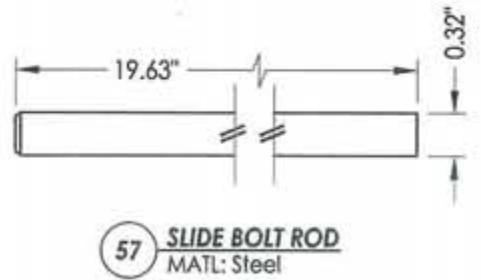
R:\A - Projects\Project Folders\proj 650 - 800\p742\TX-588\TX-588.dwg, 9



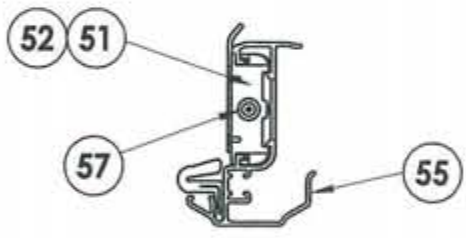
**6'8 ALUMINUM ASTRAGAL ASSEMBLY**  
By Endura Products

TOP  
A-A

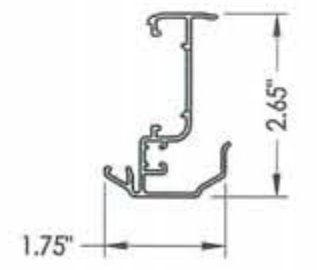
BOTTOM



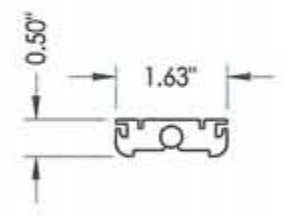
**57 SLIDE BOLT ROD**  
MATL: Steel



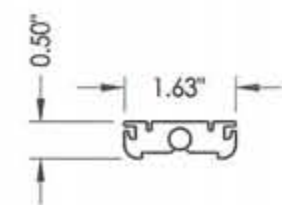
**VIEW A-A**  
Aluminum Astragal Assembly



**55 ALUMINUM ASTRAGAL**  
By Endura Products



**52 TOP BOLT RETAINER**  
MATL: 9-3/4" Long Aluminum



**51 TOP BOLT RETAINER**  
MATL: 4-3/4" Long HDPE



Documents Prepared By: Lyndon F. Schmidt, P.E.  
TEXAS P.E. #104123

**RW** BUILDING CONSULTANTS, INC.  
P.O. Box 230 Valrico FL 33595  
Phone No.: 813.659.9197

TEXAS BOARD OF PROFESSIONAL ENGINEERS  
CERTIFICATE OF REGISTRATION # F-11852

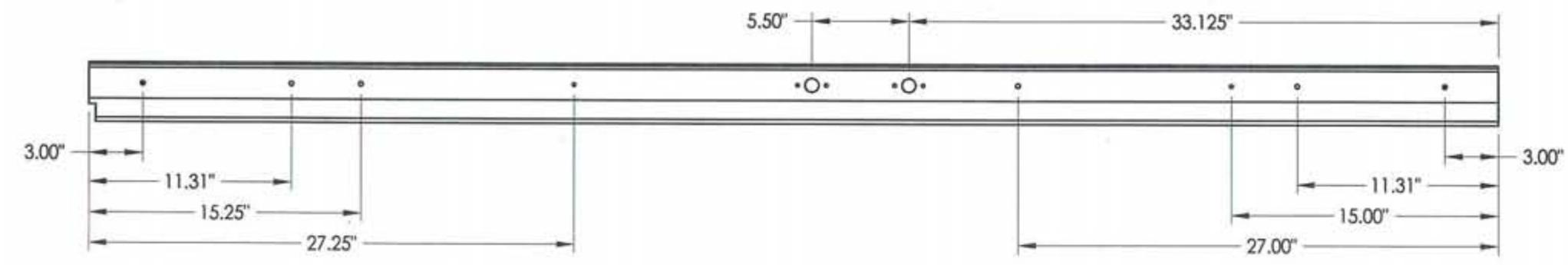
PRODUCT: TRINITY GLASS INT'L  
6'8 PREMIUM OPAQUE

PART OR ASSEMBLY:  
ENDURA ASTRAGAL DETAILS

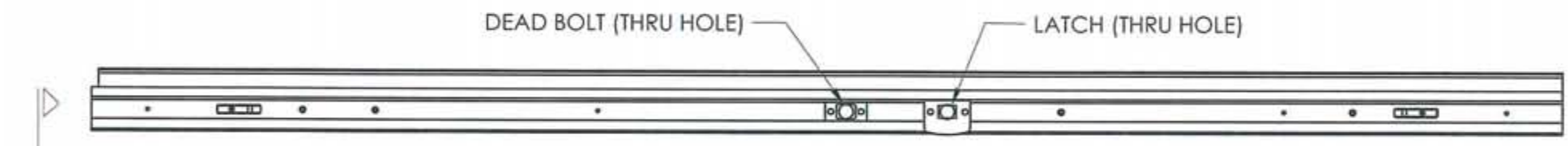
NO.	DATE	REVISIONS
2	7/27/09	TDI PRODUCT EVALUATION UPDATE
1	6/28/06	REVISED LOCKSET NOMENCLATURE
		AL
		EW
		BY

DATE: 8/24/05  
SCALE: N.T.S.  
DWG. BY: EW  
CHK. BY: LFS  
DRAWING NO.: TX-588  
SHEET 9 OF 13

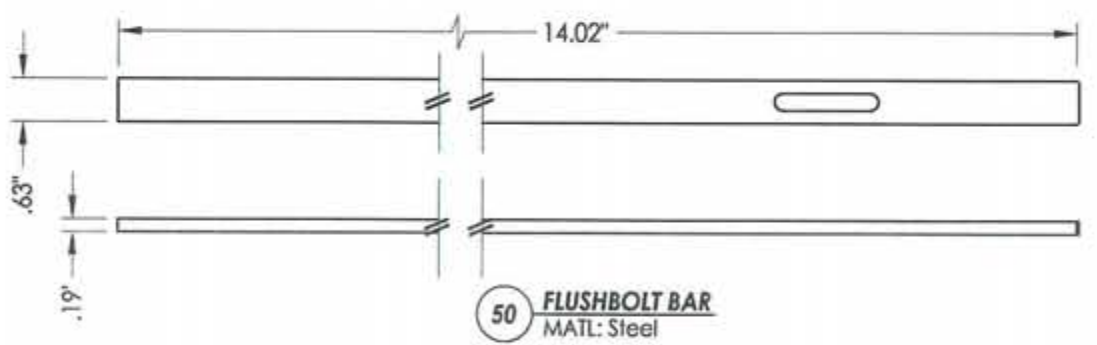
TOP



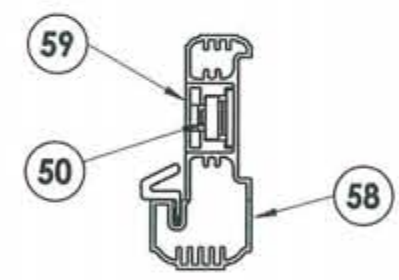
BOTTOM



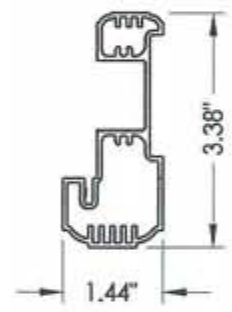
**6'8 ALUMINUM ASTRAGAL ASSEMBLY**  
By Trinity



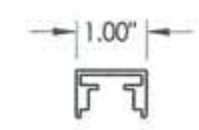
**50 FLUSHBOLT BAR**  
MATL: Steel



**VIEW B-B**  
Aluminum Astragal Assembly



**58 TRC ALUMINUM ASTRAGAL**  
By Trinity



**59 TRC ASTRAGAL CHANNEL**  
By Trinity



Documents Prepared By: Lyndon F. Schmidt, P.E.  
TEXAS P.E. #104123

**RW** BUILDING CONSULTANTS, INC.  
P.O. Box 230 Valrico FL, 33595  
Phone No.: 813.659.9197

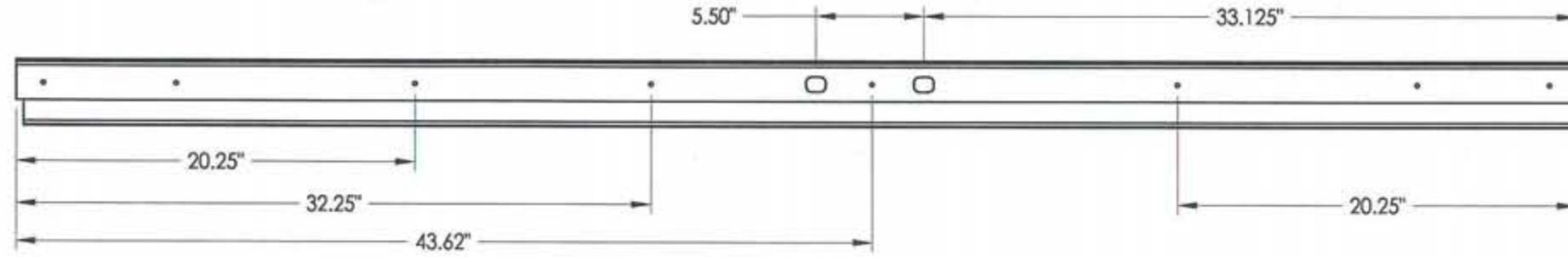
TEXAS BOARD OF PROFESSIONAL ENGINEERS  
CERTIFICATE OF REGISTRATION # F-11852

PRODUCT:	TRINITY GLASS INT'L 6'8 PREMIUM OPAQUE
PART OR ASSEMBLY:	TRC ASTRAGAL DETAILS

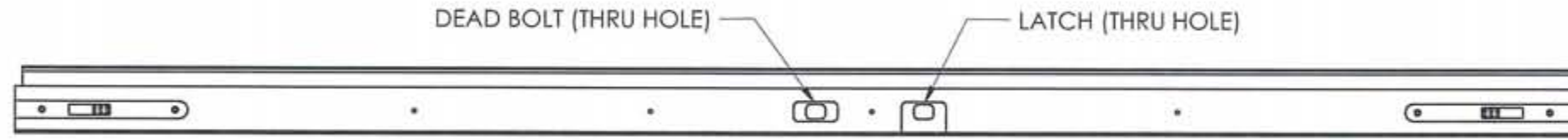
NO.	DATE	REVISIONS
2	7/27/09	TDI PRODUCT EVALUATION UPDATE
1	6/28/06	REVISED LOCKSET NOMENCLATURE
		AL
		EW
		BY

DATE:	8/24/05
SCALE:	N.T.S.
DWG. BY:	EW
CHK. BY:	LFS
DRAWING NO.:	TX-588
SHEET	10 OF 13

TOP

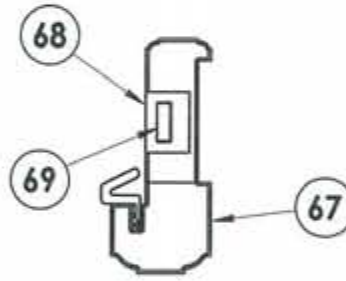


BOTTOM

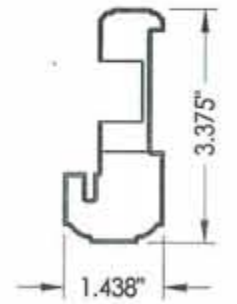


**6'8 PVC ASTRAGAL ASSEMBLY**  
By Trinity

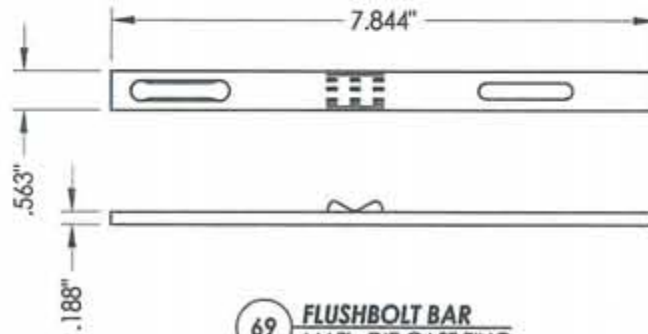
C-C



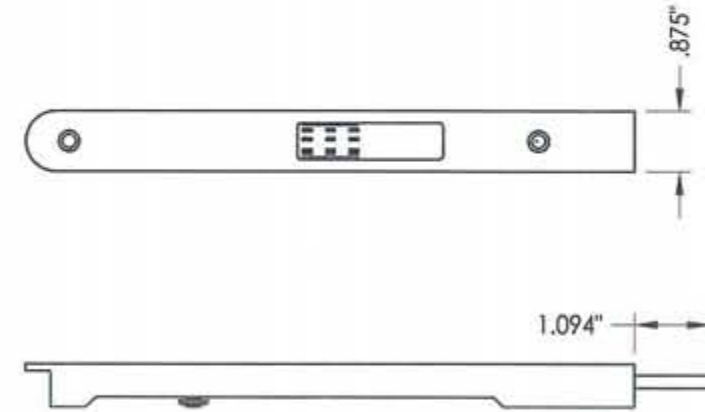
**VIEW C-C**  
PVC ASTRAGAL ASSEMBLY



**67 PVC ASTRAGAL**  
BY Trinity



**69 FLUSHBOLT BAR**  
MATL: DIE CAST ZINC



**68 FLUSHBOLT**  
MATL: 8.75" DIE CAST ZINC



1.6.10

Documents Prepared By: Lyndon F. Schmidt, P.E.  
TEXAS P.E. #104123

**RW** BUILDING CONSULTANTS, INC.  
P.O. Box 230 Valrico FL, 33595  
Phone No.: 813.659.9197

TEXAS BOARD OF PROFESSIONAL ENGINEERS  
CERTIFICATE OF REGISTRATION # F-11852

PRODUCT: TRINITY GLASS INT'L  
6'8 PREMIUM OPAQUE

PART OR ASSEMBLY:  
PVC ASTRAGAL DETAILS

NO.	DATE	REVISIONS
2	7/27/09	TDI PRODUCT EVALUATION UPDATE
1	6/28/06	REVISED LOCKSET NOMENCLATURE
		AL
		EW
		BY

DATE: 8/24/05

SCALE: N.T.S.

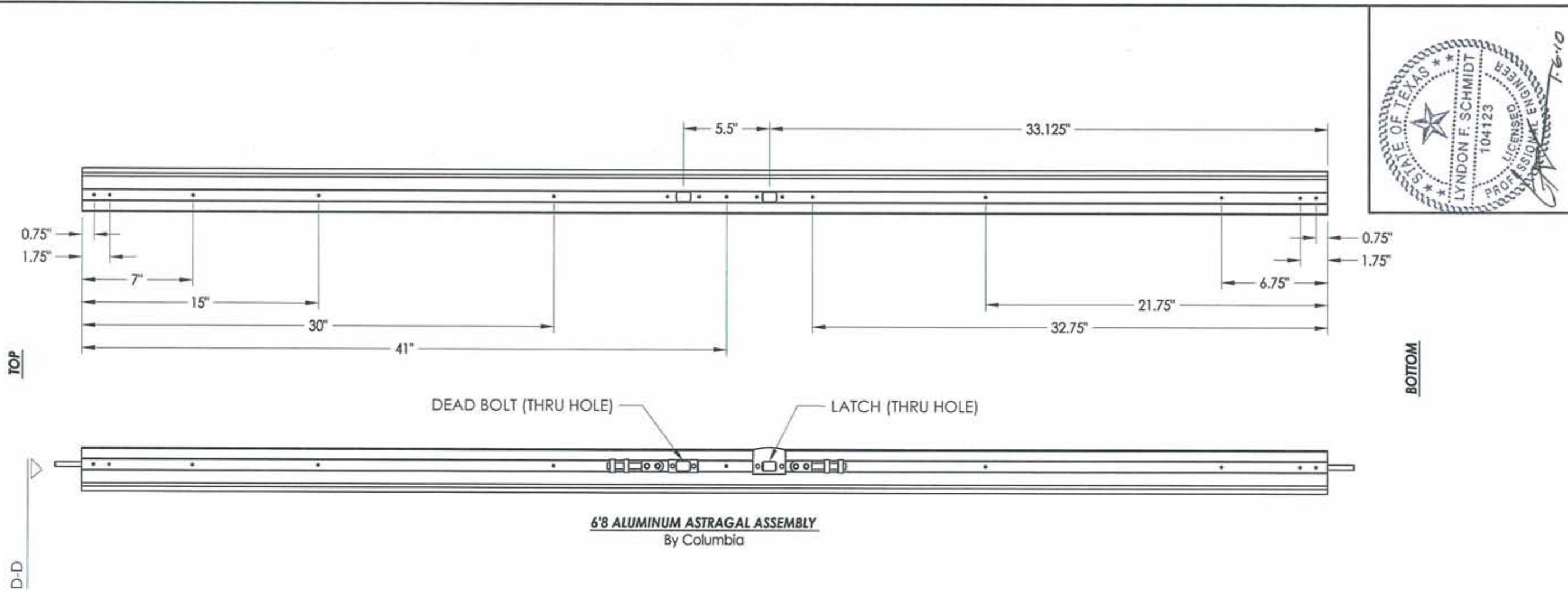
DWG. BY: EW

CHK. BY: LFS

DRAWING NO.:

TX-588

SHEET 11 OF 13



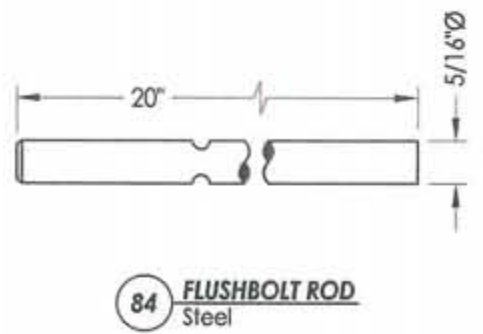
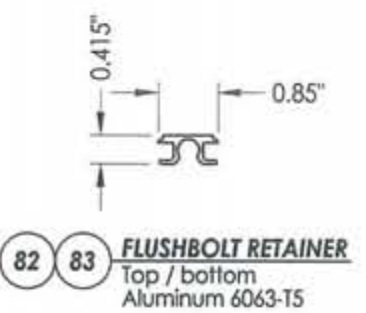
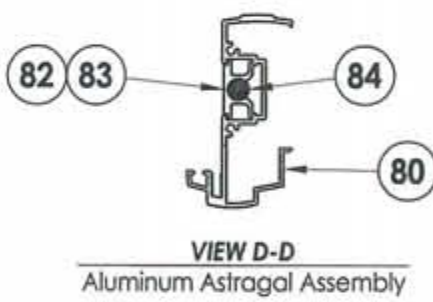
Documents Prepared By: Lyndon F. Schmidt, P.E.  
TEXAS P.E. #104123

**R.W.** BUILDING CONSULTANTS, INC.  
P.O. Box 230 Valrico FL, 33595  
Phone No.: 813.659.9197

TEXAS BOARD OF PROFESSIONAL ENGINEERS  
CERTIFICATE OF REGISTRATION # F-11852

**6'8 ALUMINUM ASTRAGAL ASSEMBLY**  
By Columbia

D-D

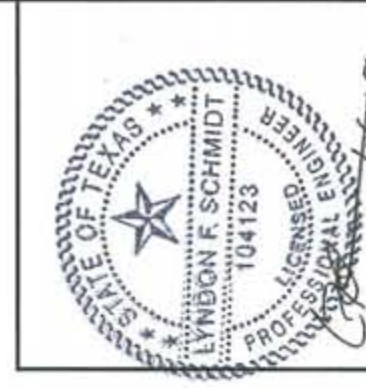


PRODUCT:		TRINITY GLASS INT'L 6'8 PREMIUM OPAQUE	
PART OR ASSEMBLY:		COLUMBIA ASTRAGAL DETAILS	
NO	DATE	REVISIONS	BY
2	7/27/09	TDI PRODUCT EVALUATION UPDATE	AL
1	6/28/06	REVISED LOCKSET NOMENCLATURE	EW

DATE: 8/24/05  
SCALE: N.T.S.  
DWG. BY: EW  
CHK. BY: LFS  
DRAWING NO.: TX-588  
SHEET 12 OF 13

**BILL OF MATERIALS**

ITEM	DESCRIPTION	MATERIAL
A	2X HEADER FRAMING SG >= 0.42	WOOD
B	2X FRAMING SG >= 0.42	WOOD
G	MAX. 1/4" SHIM SPACE	WOOD
J	#9 X 2-1/4" PFH WS	STEEL
L	#8 X 3" PFH WS	STEEL
P	3/16" X 2-3/4" ELCO OR ITW PFH CONCRETE SCREW	STEEL
Q	3/16" X 3-1/4" ITW CONCRETE SCREW	STEEL
1	SIDELITE JAMB - FINGER-JOINT PINE - SG >= 0.42	WOOD
3	HINGE JAMB - FINGER-JOINT PINE - SG >= 0.42	WOOD
4	HEAD - FINGER-JOINT PINE - SG >= 0.42	WOOD
5	INSWING THRESHOLD ALUMINUM W/ COMPOSITE SUBSTRATE	ALUMINUM
6	DOOR BOTTOM SWEEP	PVC
7	DOOR PANEL - SEE DOOR PANEL DETAIL SHEET FOR CONSTRUCTION DETAILS	-
8	#6 X 1-1/4 PFH DRYWALL SCREW	STEEL
12	WEATHER STRIP QEBD650 Q-LON	-
18	3.983" X 4.0" HINGE MIN 0.098" THICK	STEEL
19	SILLKEY	PC/ASA
21	LOCK (SEE LOCK & DEADBOLT RATINGS CHART)	STEEL
22	DEADBOLT (SEE LOCK & DEADBOLT RATINGS CHART)	STEEL
23	STRIKE PLATE	STEEL
23A	DEADBOLT PLATE	STEEL
24	#9 X 5/8" PFH WS	STEEL
25	OUTSWING HIGH-DAM THRESHOLD ALUMINUM W/ COMPOSITE SUBSTRATE	ALUM./ COMP.
26	#9 X 1.0" PFH WS	STEEL
27	OUTSWING THRESHOLD ALUMINUM W/ COMPOSITE SUBSTRATE	ALUM./ COMP.
30	LATCH STILE - SG >= 0.42	LVL/PVC
31	LVL LOCK BLOCK	POPLAR
32	HINGE STILE - SG >= 0.42	LVL/PVC
33	TOP RAIL - POPLAR LVL & WPC COMBINATION	POPLAR/WPC
34	BOTTOM RAIL - POPLAR LVL & WPC COMBINATION	POPLAR/WPC
39	FIBERGLASS SKIN 0.079" MIN. THICKNESS (Fy = 5,203 PSI MIN.)	FIBERGLASS
40	#8 X 1-1/8" SELF THREDDING SCREW	STEEL
42	ALUMINUM & BUTYL SPACER SYSTEM	ALUM./BUTYL
44	HOT MELT SEALANT / SILICONE	-
45	LITE FRAME	PC/ASA
46	FOAM CORE	POLYURETHANE
50	FLUSHBOLT BAR	STEEL
51	4-3/4" LENGTH TOP BOLT RETAINER	HDPE
52	9-8/4" LENGTH TOP BOLT RETAINER	ALUMINUM
53	#8 X 1-3/4" FPH SMS	STEEL
54	ASTRAGAL STRIKE @ HEAD	STEEL
55	ENDURA ASTRAGAL BY ENDURA PRODUCTS	ALUMINUM
56	ASTRAGAL STRIKE @ SILL	STEEL
57	SLIDE BOLT ROD	STEEL
58	TRINITY ASTRAGAL BY TRC	ALUMINUM
59	ASTRAGAL CHANNEL BY TRC	ALUMINUM



Documents Prepared By: Lyndon F. Schmidt, P.E.  
TEXAS P.E. #104123

**RW** BUILDING CONSULTANTS, INC.  
P.O. Box 230 Valrico FL 33595  
Phone No.: 813.859.9197

TEXAS BOARD OF PROFESSIONAL ENGINEERS  
CERTIFICATE OF REGISTRATION # F-11852

**BILL OF MATERIALS**

ITEM	DESCRIPTION	MATERIAL
60	SIDELITE SPACER - OUTSWING	PVC
61	SIDELITE SPACER - INSWING	PVC
62	QUARTER ROUND	WOOD
63	#8 x 2-1/4" PFH SCREW	STEEL
64	#8 x 2" PFH SCREW	STEEL
65	#10 x 2" PFH SCREW	STEEL
66	SIDELITE PANEL - SEE SIDELITE PANEL DETAIL SHEET FOR CONSTRUCTION DETAILS	-
67	PVC ASTRAGAL BY TRC	PVC
68	ASTRAGAL CHANNEL BY TRC	DIE CAST ZINC
69	#8 x 2" PFH SCREW	DIE CAST ZINC
73	LVL SIDELITE TOP RAIL (FULL LITE)	POPLAR
74	LVL SIDELITE BOTTOM RAIL (FULL LITE)	POPLAR
75	LVL SIDELITE STILE (FULL LITE)	POPLAR
80	EXTRUDED ALUMINUM ASTRAGAL BY COLUMBIA ALUM. PROD.	ALUMINUM
81	#8 X 2-1/2" PFH WS	STEEL
82	TOP FLUSHBOLT RETAINER 6063-T5	ALUM. /STEEL
83	BOTTOM FLUSHBOLT RETAINER 6063-T5	ALUM. /STEEL
84	5/16"Ø X 20" LONG FLUSHBOLT ROD	STEEL

**CONCRETE ANCHOR NOTES:**

1. Substitution of equal concrete anchors from a different supplier may have different edge distance and center distance requirements.
2. Concrete anchor locations at the corners may be adjusted to maintain the min. edge distance to mortar joints. If concrete anchor locations noted as "MAX. ON CENTER" must be adjusted to maintain the min. edge distance to mortar joints, additional concrete anchors may be required to ensure the "MAX. ON CENTER" dimensions are not exceeded.
3. Concrete anchor table:

ANCHOR TYPE	ANCHOR SIZE	MIN. EMBEDMENT	MIN. CLEARANCE TO MASONRY EDGE	MIN. CLEARANCE TO ADJACENT ANCHOR
ITW	3/16"	1-3/4"	2-5/8"	2-1/4"
ELCO	3/16"	1-3/4"	1"	3"

PRODUCT: TRINITY GLASS INT'L  
6"8 PREMIUM OPAQUE

PART OR ASSEMBLY: BILL OF MATERIALS

NO.	DATE	REVISIONS
2	7/27/09	TDI PRODUCT EVALUATION UPDATE
1	6/28/06	REVISED LOCKSET NOMENCLATURE

DATE: 8/24/05  
SCALE: N.T.S.  
DWG. BY: EW  
CHK. BY: LFS  
DRAWING NO.: TX-588  
SHEET 13 of 13