

6'0 X 8'0
OPAQUE PREMIUM FIBERGLASS
DOUBLE DOOR WITH SIDELITES (BOXED)
IN SWING / OUT SWING
"IMPACT" DOOR WITH "NON-IMPACT" SIDELITE

EVALUATED FOR USE IN THE STATE OF TEXAS

The Trinity Opaque Premium Fiberglass Door with boxed sidelites described herein complies with the 2006 International Residential Code (IRC), Sections R301 & R613 and the 2006 International Building Code (IBC), Sections 1405.12, 1609, 1714.5, 2403 and 2404 (including Texas revisions) subject to the following conditions:

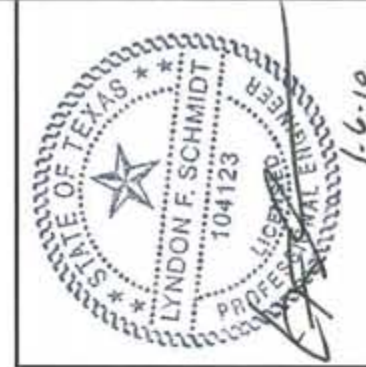
1. Anchors shall be as listed and spaced as shown in the details. Anchor embedment to base material shall be beyond wall dressing or stucco.
2. When used in wind borne debris regions, the opaque door panel complies with Sections R301.2.1.2 of the IRC and 1609.1.2 of the IRC as an impact resistant product and does not require the use of an approved impact resistant covering. The sidelite must be protected with an impact resistant covering that complies with sections R301.2.1.2 and 1609.1.2. This product does not meet the requirements for enhanced protection of essential facilities as defined in ASTM E1996.
3. Allowable design pressure requirements must be equal to or less than the design pressure rating shown in the design pressure chart, sheet 1 of this drawing.
4. Conditions not covered by this drawing are subject to further engineering analysis.

SUPPORTING DOCUMENTS & EVIDENCE

1. Testing per ASTM E330-02, ASTM E1886-02 and ASTM E1996-02 as performed by Testing Evaluation Laboratories, Inc. and reported in test report numbers TEL 05-1026-1 and TEL 05-1026-1-C signed by Wendell W. Haney, P.E.
2. Testing per AAMA/WDMA/CSA101/I.S.2/A440-05, ASTM E1886-02 and ASTM E1996-02 as performed by Testing Evaluation Laboratories, Inc. and reported in test report numbers TEL 08-01370021 and TEL 08-01370021-IC signed by Wendell W. Haney, P.E.
3. Calculations (Anchoring and Glass load resistance report ASTM E1300-04) prepared by Lyndon F. Schmidt, P.E.
4. Certificate of Participation issued by the National Accreditation and Management Institute, Inc., certifying that Trinity Glass Int'l is manufacturing products within a Quality Assurance program.

TABLE OF CONTENTS

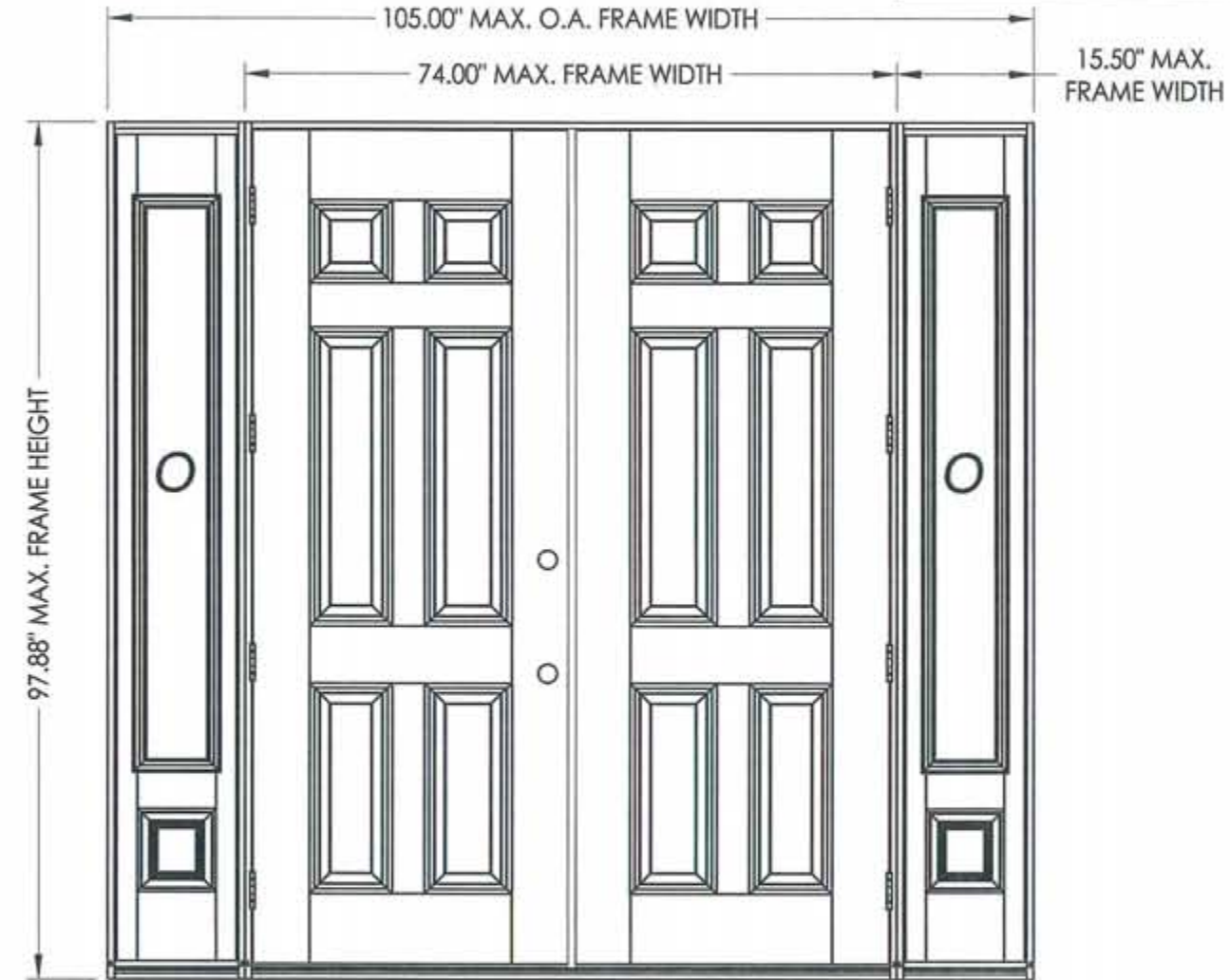
SHEET #	DESCRIPTION
1	Typical elevations, design pressures & general notes
2	Door panel construction details
3	Sidelite panel construction details & glazing details
4	Horizontal cross sections
5	Vertical cross sections
6	Vertical cross sections
7	Frame anchoring
8	Components
9	TRC astragal details
10	Endura astragal details
11	Bill of materials



Documents Prepared By: Lyndon F. Schmidt, P.E.
TEXAS P.E. #104123

RW BUILDING CONSULTANTS, INC.
P.O. Box 230 Valrico FL 33595
Phone No.: 813.659.9197

TEXAS BOARD OF PROFESSIONAL ENGINEERS
CERTIFICATE OF REGISTRATION # F-11852

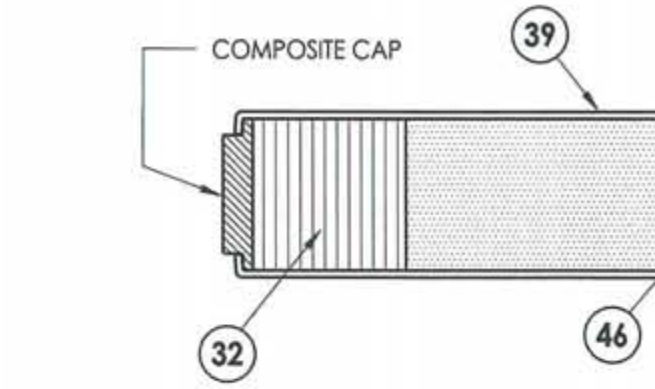


ASTRAGAL TYPE	SWING	MAX. FRAME DIMENSION	GLASS TYPE	DESIGN PRESSURE (PSF)	
				POSITIVE	NEGATIVE
TRC	IN SWING	105.00" x 97.88"	G1	+47.0	-47.0
	OUT SWING	105.00" x 96.75"		+47.0	-47.0
ENDURA	IN SWING	105.00" x 97.88"	G1	+47.0	-47.0
	OUT SWING	105.00" x 96.75"		+47.0	-47.0

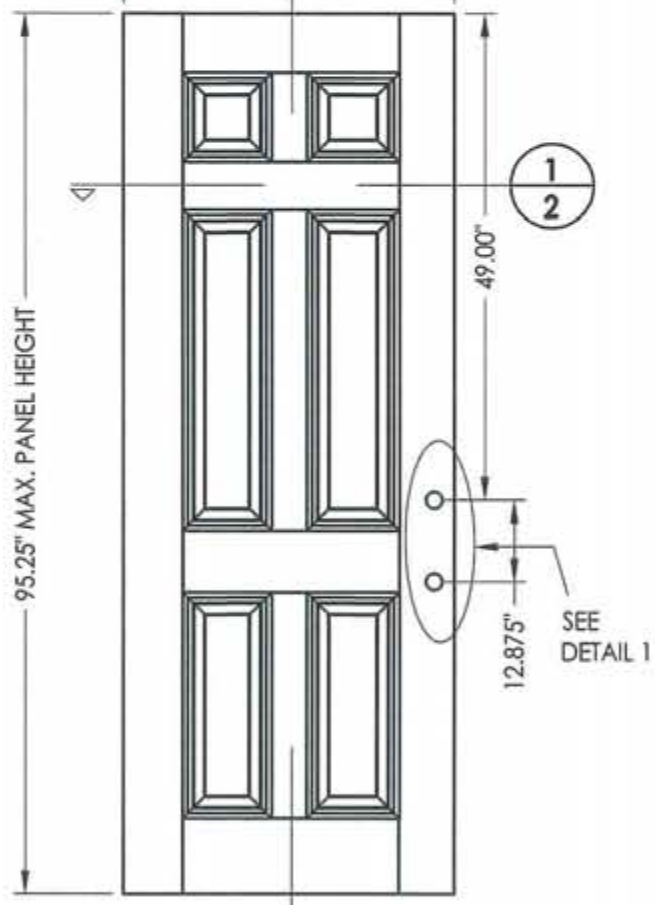
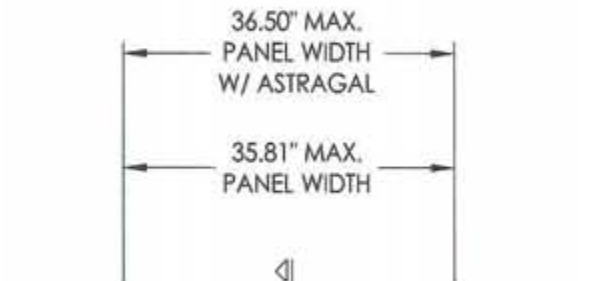
Refer to Table (sheet 4) for Passage Lock Rating Limitations

PRODUCT:	TRINITY GLASS INT'L 8'0 PREMIUM OPAQUE
PART OR ASSEMBLY:	TYPICAL ELEVATION, DESIGN PRESSURES & GENERAL NOTES
DATE	11/21/05
SCALE	N.T.S.
DWG. BY	AEM
CHK. BY	LFS
DRAWING NO.:	TX-717
SHEET	1 OF 11

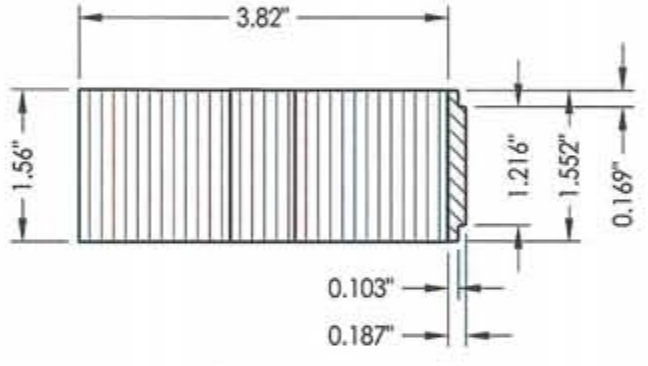
R:\VA - Projects\Project Folders\Proj 801 - 900\p1826\TX-717\TX-717.dwg, 2



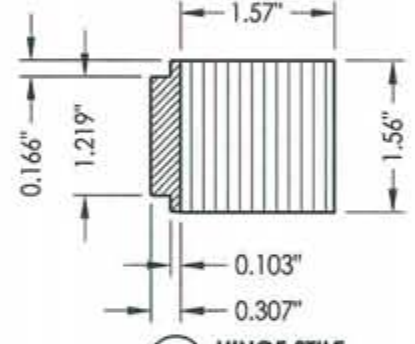
1
2 HORIZONTAL CROSS SECTION



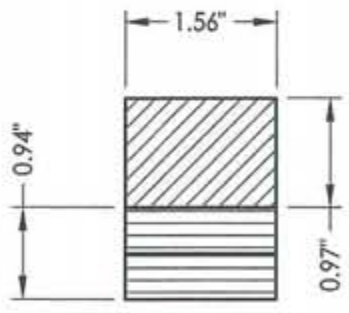
7 PREMIUM OPAQUE DOOR
"IMPACT"



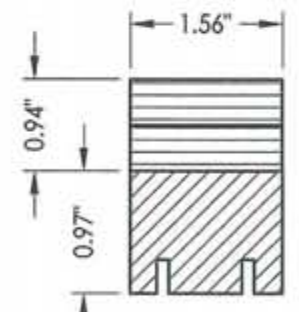
30 LATCH STILE



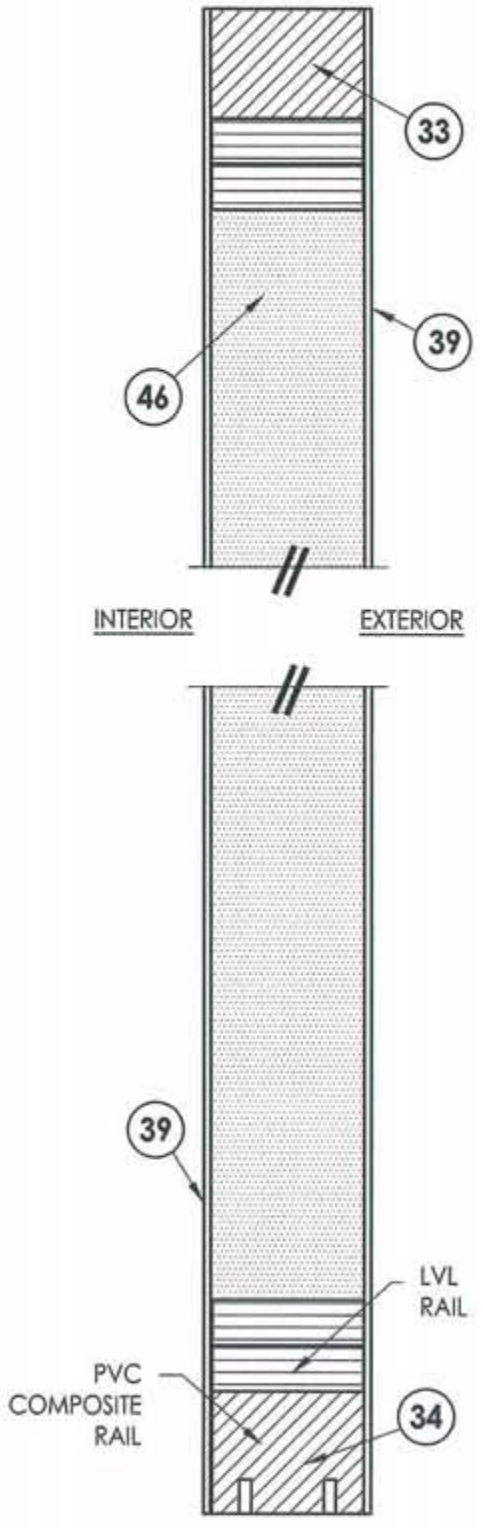
32 HINGE STILE



33 TOP RAIL



34 BOTTOM RAIL



2
2 VERTICAL CROSS SECTION



Documents Prepared By: Lyndon F. Schmidt, P.E.
TEXAS P.E. #104123

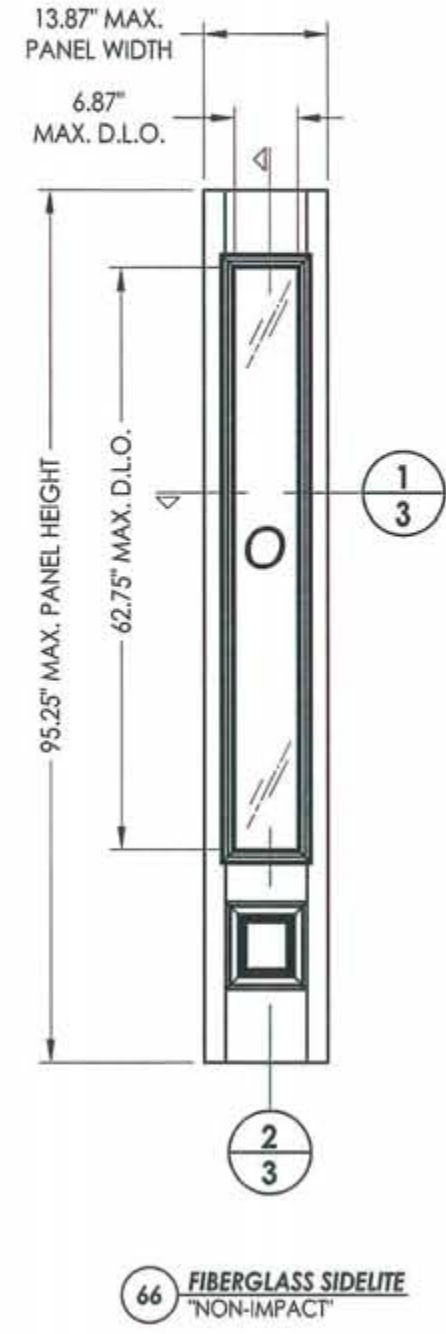
RW BUILDING CONSULTANTS, INC.
P.O. Box 230 Valrico FL 33595
Phone No.: 813.659.9197

TEXAS BOARD OF PROFESSIONAL ENGINEERS
CERTIFICATE OF REGISTRATION # F-11852

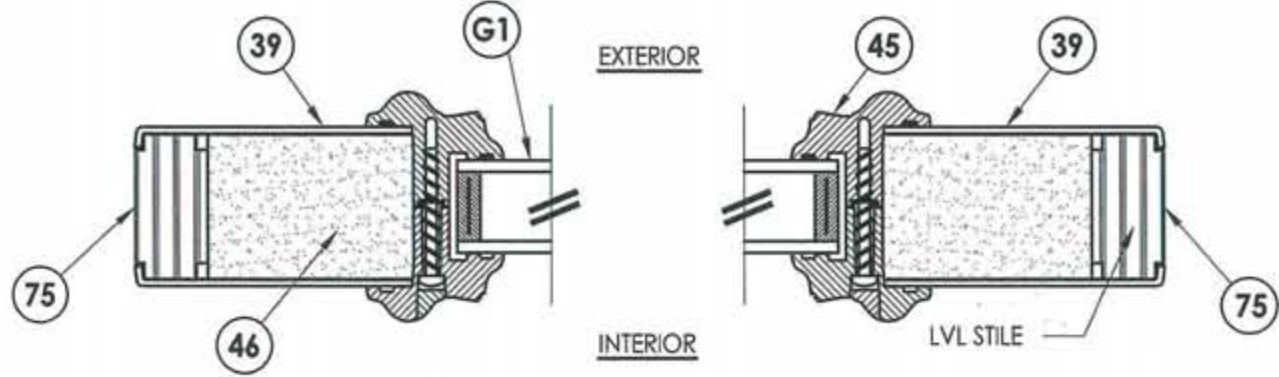
PRODUCT: TRINITY GLASS INT'L
8'0\"/>

NO.	DATE	BY	REVISIONS
2	7/27/09	AL	TDI PRODUCT EVALUATION UPDATE
1	6/28/06	EW	REVISED LOCKSET NOMENCLATURE

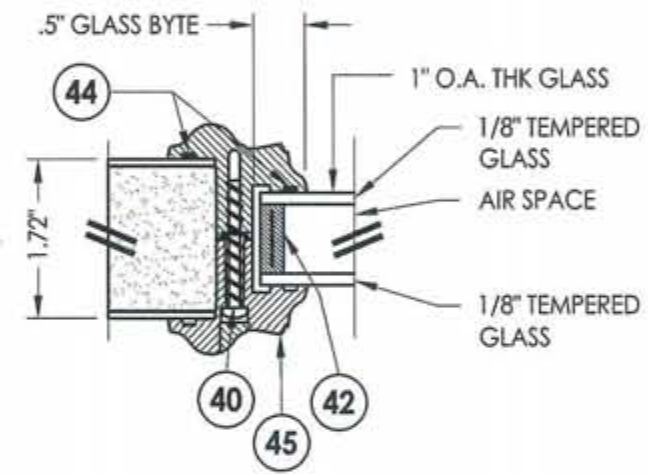
DATE: 11/21/05
SCALE: N.T.S.
DWG. BY: AEM
CHK. BY: LFS
DRAWING NO.: TX-717
SHEET 2 OF 11



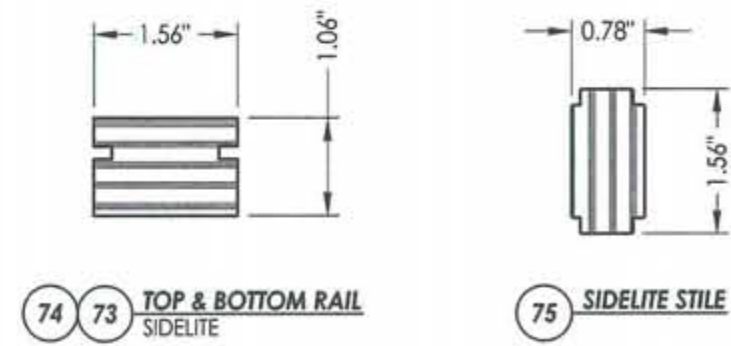
66 FIBERGLASS SIDELITE
"NON-IMPACT"



1
3 HORIZONTAL CROSS SECTION

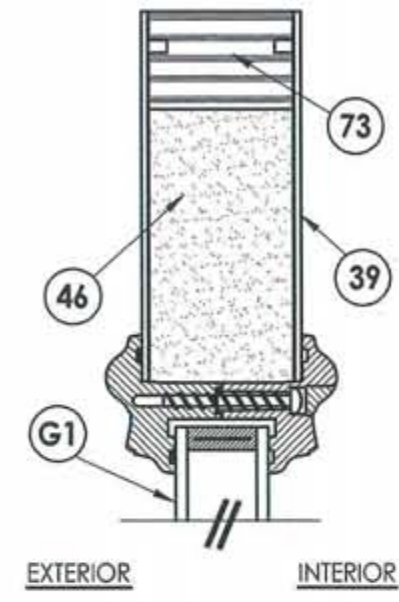


G1 GLAZING DETAIL



74 73 TOP & BOTTOM RAIL
SIDELITE

75 SIDELITE STILE



2
3 VERTICAL CROSS SECTION



Documents Prepared By: Lyndon F. Schmidt, P.E.
TEXAS P.E. #104123

RW BUILDING CONSULTANTS, INC.
P.O. Box 230 Veroico FL 33595
Phone No.: 813.659.9197

TEXAS BOARD OF PROFESSIONAL ENGINEERS
CERTIFICATE OF REGISTRATION # F-11852

PRODUCT: TRINITY GLASS INT'L
80 PREMIUM OPAQUE

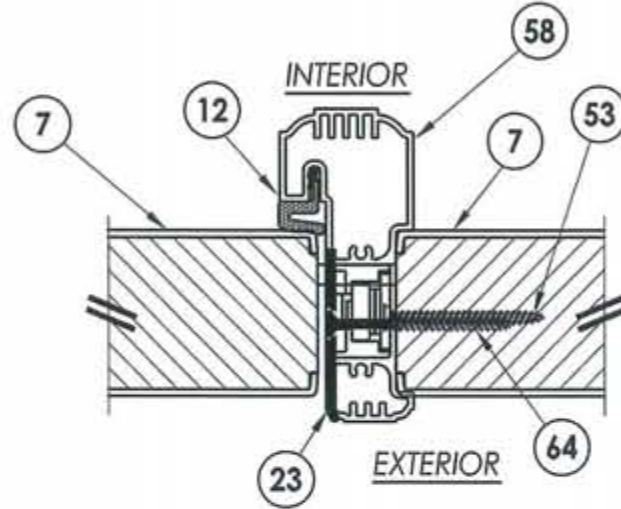
PART OR ASSEMBLY:
SIDELITE PANEL CONSTRUCTION
DETAILS AND GLAZING DETAILS

NO.	DATE	REVISIONS
2	7/27/09	TDI PRODUCT EVALUATION UPDATE
1	6/28/06	REVISED LOCKSET NOMENCLATURE

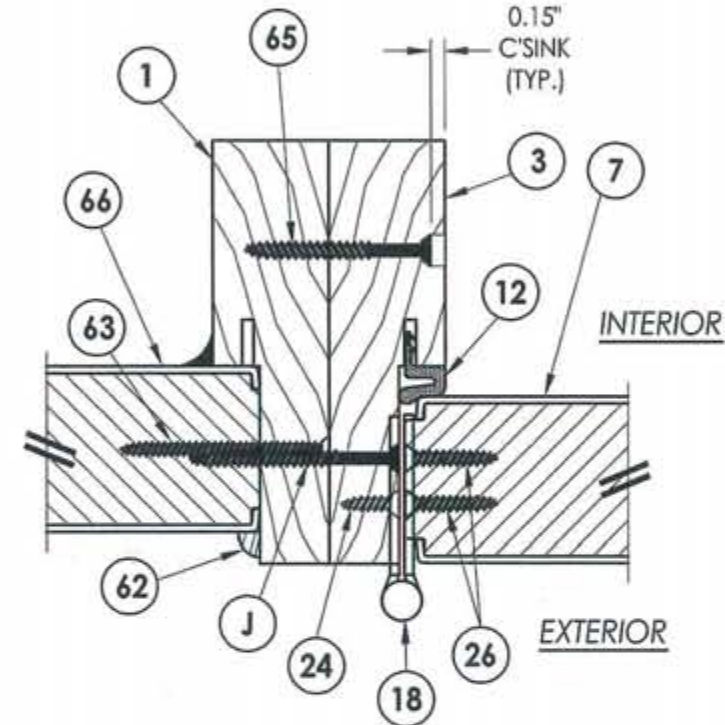
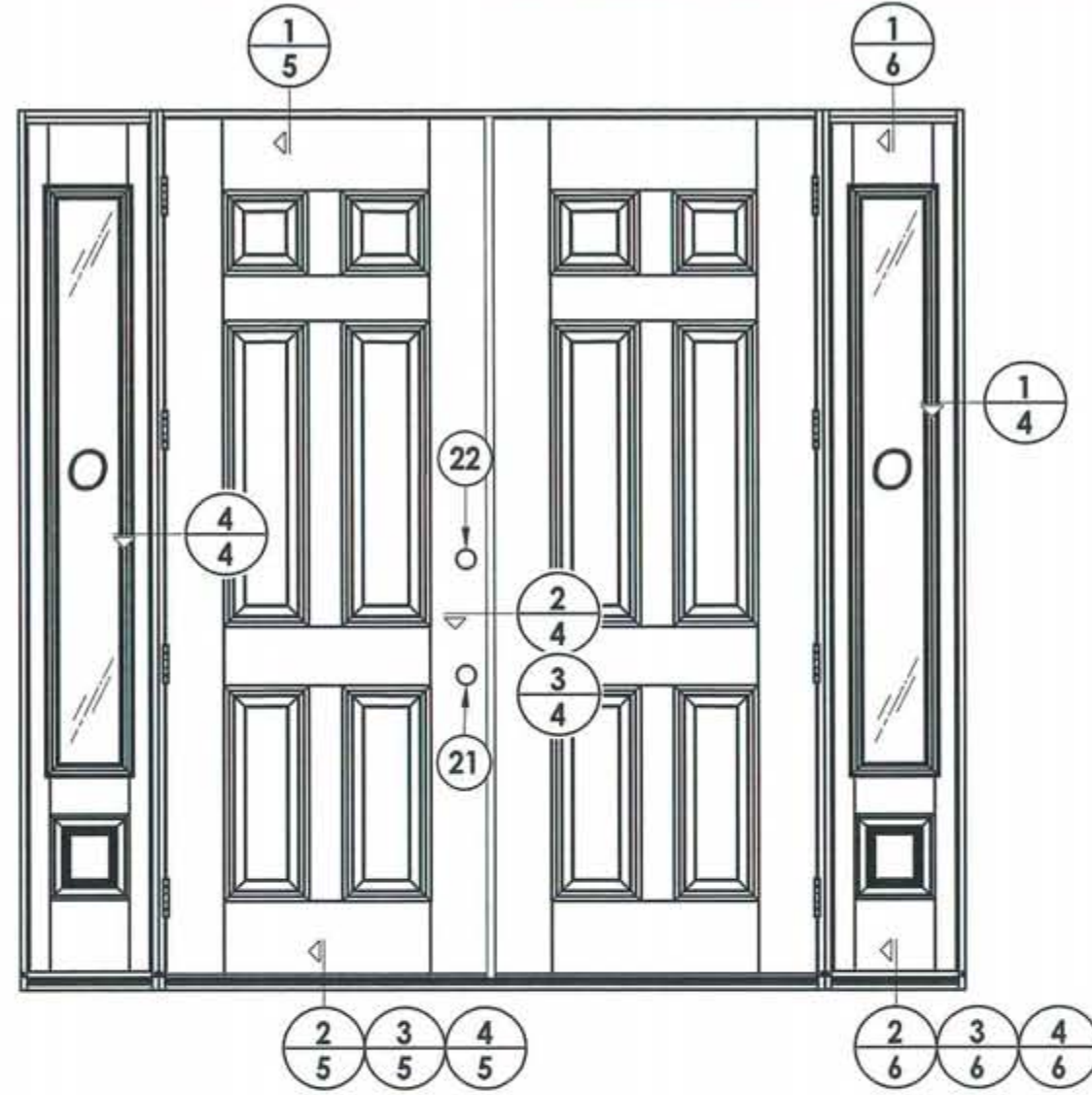
DATE: 11/21/05
SCALE: N.T.S.
DWG. BY: AEM
CHK. BY: LFS
DRAWING NO.: TX-717
SHEET 3 of 11

NOTE:

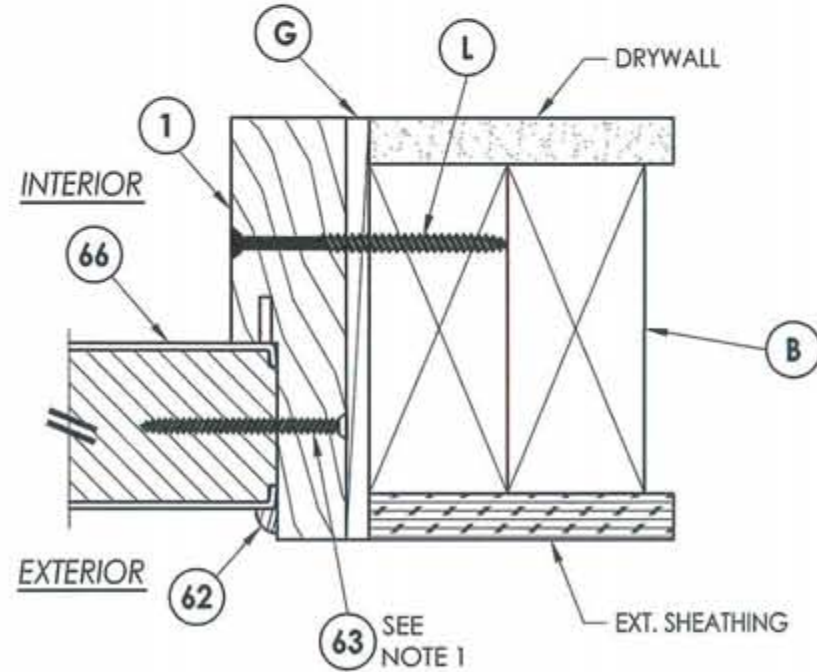
- Sidelite ass'y fastener: 6" from each end and 6 more screws equally spaced between (8 screws total per jamb).



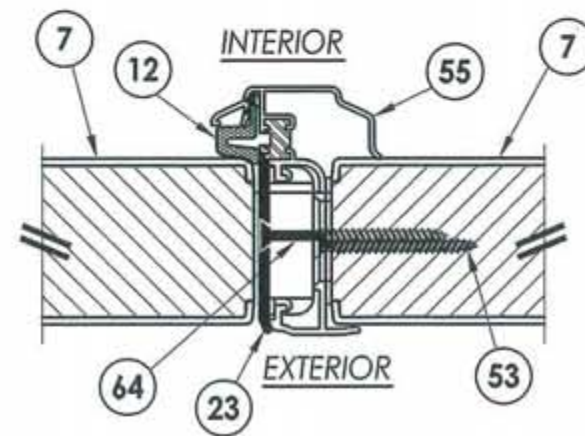
2 HORIZONTAL CROSS SECTION
4 TRC astragal



4 HORIZONTAL CROSS SECTION



1 HORIZONTAL CROSS SECTION
4 Outswing shown
Inswing also approved



3 HORIZONTAL CROSS SECTION
4 Endura astragal



Documents Prepared By: Lyndon F. Schmidt, P.E.
TEXAS P.E. #104123

RW BUILDING CONSULTANTS, INC.
P.O. Box 230 Valrico FL 33595
Phone No.: 813.659.9197

TEXAS BOARD OF PROFESSIONAL ENGINEERS
CERTIFICATE OF REGISTRATION # F-11852

PRODUCT: TRINITY GLASS INT'L
80 PREMIUM OPAQUE

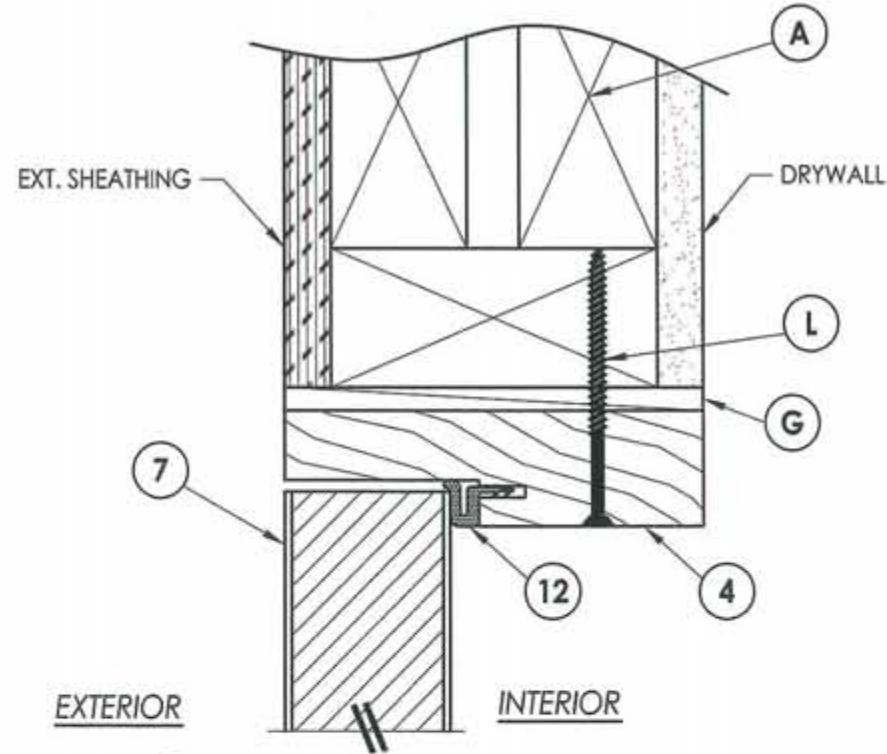
PART OR ASSEMBLY:
HORIZONTAL CROSS SECTIONS

NO.	DATE	REVISIONS
2	7/27/09	TDI PRODUCT EVALUATION UPDATE
1	6/28/06	REVISED LOCKSET NOMENCLATURE

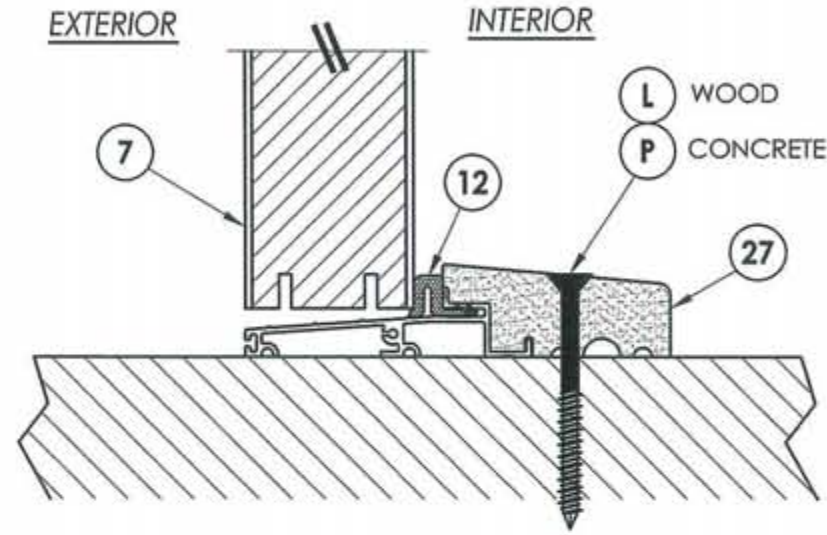
DATE: 11/21/05
SCALE: N.T.S.
DWG. BY: AEM
CHK. BY: LFS
DRAWING NO.: TX-717
SHEET 4 of 11

MANUFACTURER	MODEL	ITEM #	MAX. DESIGN PRESSURE (PSF)	
			POSITIVE	NEGATIVE
KWIKSET	LOCK: 740	21	+47.0	-47.0
	DEADBOLT: 780	22		
KWIKSET	LOCK: COMBO 660	21	+47.0	-47.0
	DEADBOLT: COMBO 660	22		
SCHLAGE	LOCK: MAX. SECURITY	21	+47.0	-47.0
	DEADBOLT: MAX. SECURITY	22		

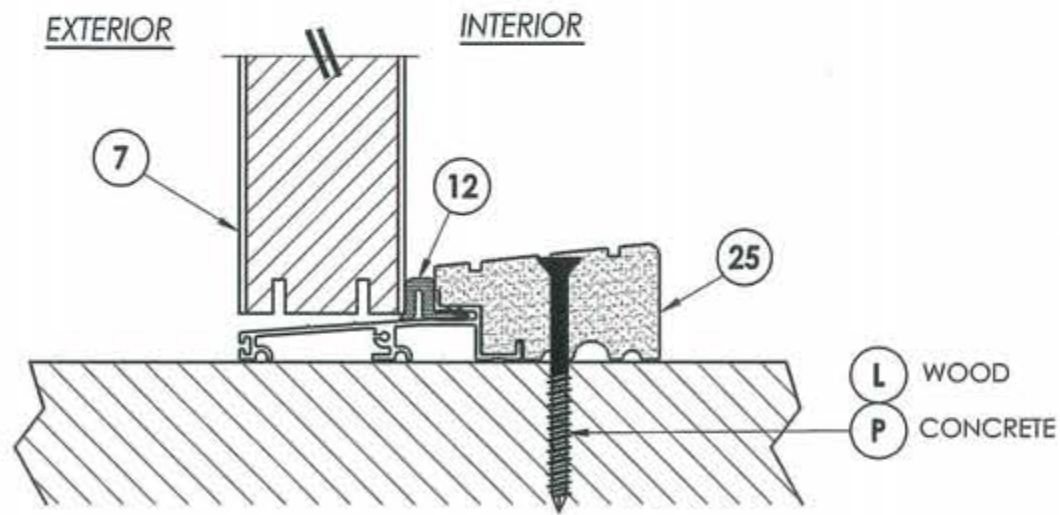
R:\A - Projects\Project Folders\Proj 801 - 900\p826\TX-717\TX-717.dwg, 5



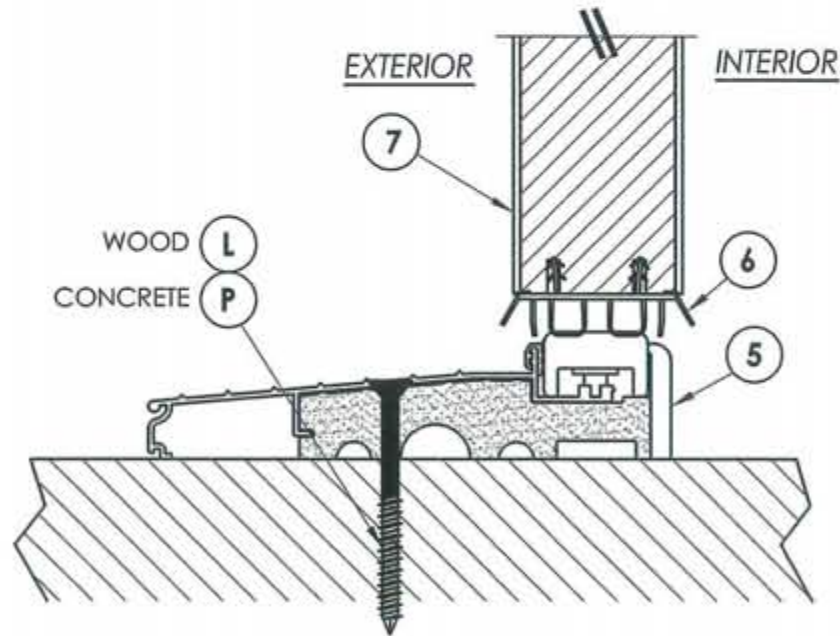
1 VERTICAL CROSS SECTION
5 Outswing shown
 Inswing also approved



2 VERTICAL CROSS SECTION
5 Outswing configuration



3 VERTICAL CROSS SECTION
5 Outswing configuration



4 VERTICAL CROSS SECTION
5 Inswing configuration



Documents Prepared By: Lyndon F. Schmidt, P.E.
 TEXAS P.E. #104123

RW BUILDING CONSULTANTS, INC.
 P.O. Box 230 Valrico FL 33595
 Phone No.: 813.659.9197

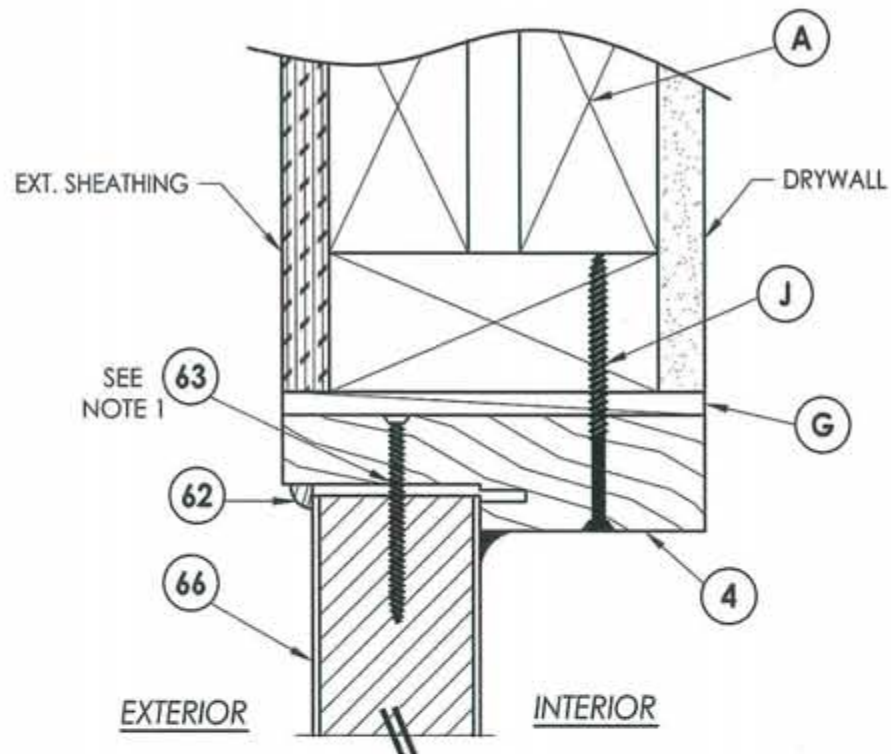
TEXAS BOARD OF PROFESSIONAL ENGINEERS
 CERTIFICATE OF REGISTRATION # F-11852

PRODUCT: TRINITY GLASS INT'L
 80 PREMIUM OPAQUE

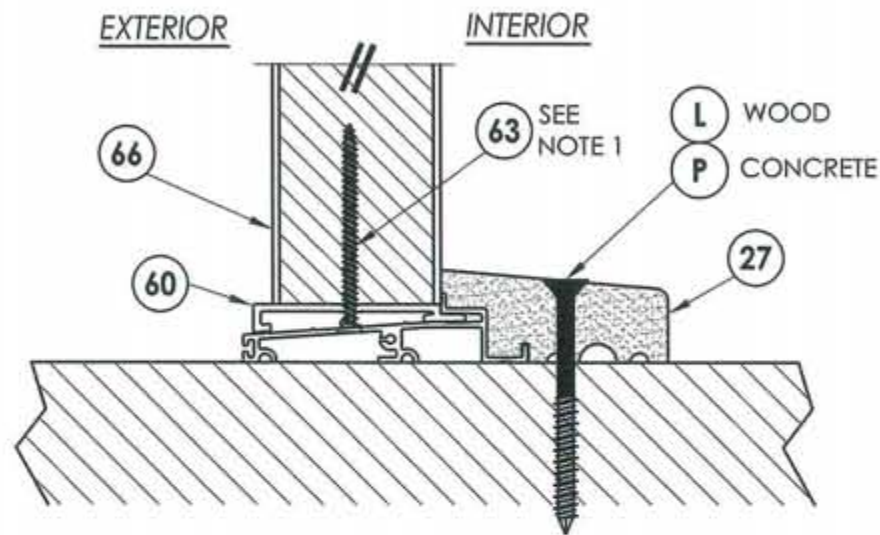
PART OR ASSEMBLY:
 VERTICAL CROSS SECTIONS

NO.	DATE	REVISIONS
2	7/27/09	TDI PRODUCT EVALUATION UPDATE
1	6/28/06	REVISED LOCKSET NOMENCLATURE
AL		
EW		
BY		

DATE: 11/21/05
 SCALE: N.T.S.
 DWG. BY: AEM
 CHK. BY: LFS
 DRAWING NO.: TX-717
 SHEET 5 of 11



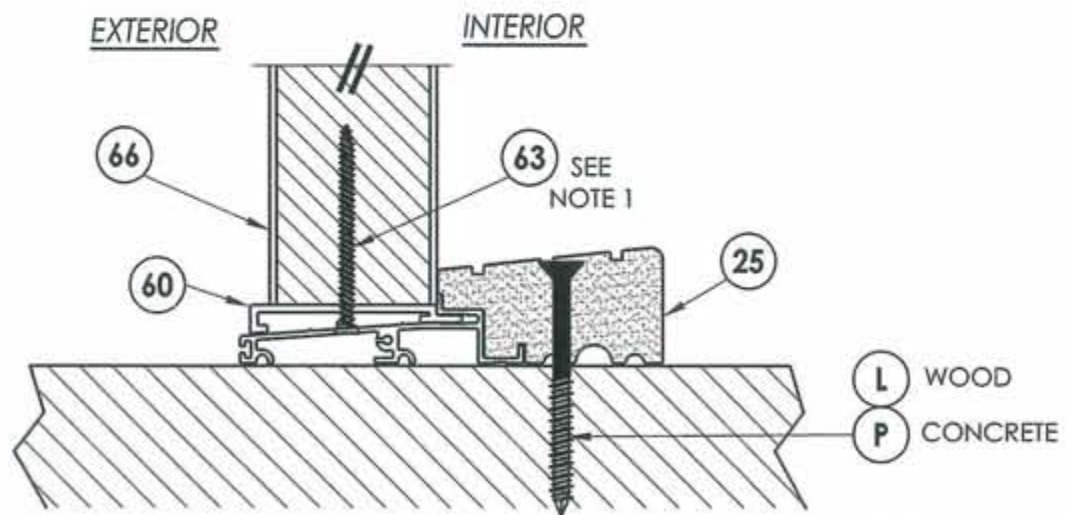
1 VERTICAL CROSS SECTION
6 Outswing shown
 Inswing also approved



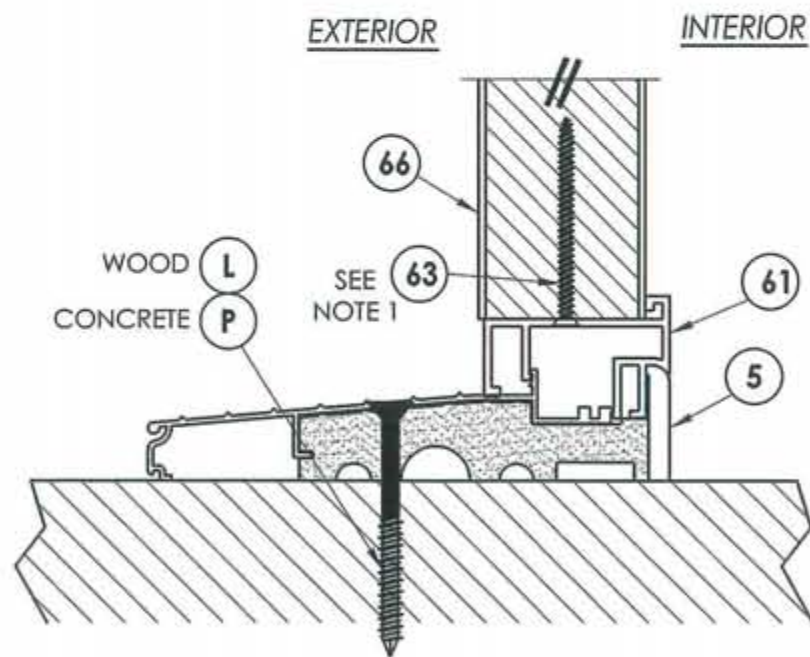
2 VERTICAL CROSS SECTION
6 Outswing sill

NOTE:

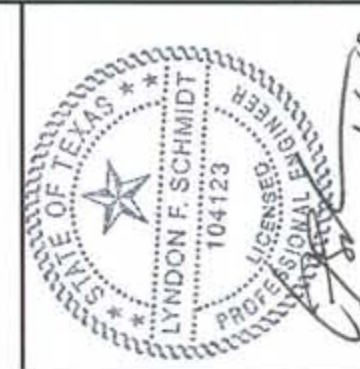
- Screws thru head and sill jamb located 3" from each end and on center line.



3 VERTICAL CROSS SECTION
6 Outswing sill - high dam



4 VERTICAL CROSS SECTION
6 Inswing sill



Documents Prepared By: Lyndon F. Schmidt, P.E.
 TEXAS P.E. #104123

RW BUILDING CONSULTANTS, INC.

P.O. Box 230 Volrico FL, 33595
 Phone No.: 813.659.9197

TEXAS BOARD OF PROFESSIONAL ENGINEERS
 CERTIFICATE OF REGISTRATION # F-11852

PRODUCT:
 TRINITY GLASS INT'L
 80 PREMIUM OPAQUE

PART OR ASSEMBLY:
 VERTICAL CROSS SECTIONS

NO.	DATE	BY	REVISIONS
2	7/27/09	AL	TDI PRODUCT EVALUATION UPDATE
1	6/28/06	EW	REVISED LOCKSET NOMENCLATURE

DATE: 11/21/05

SCALE: N.T.S.

DWG. BY: AEM

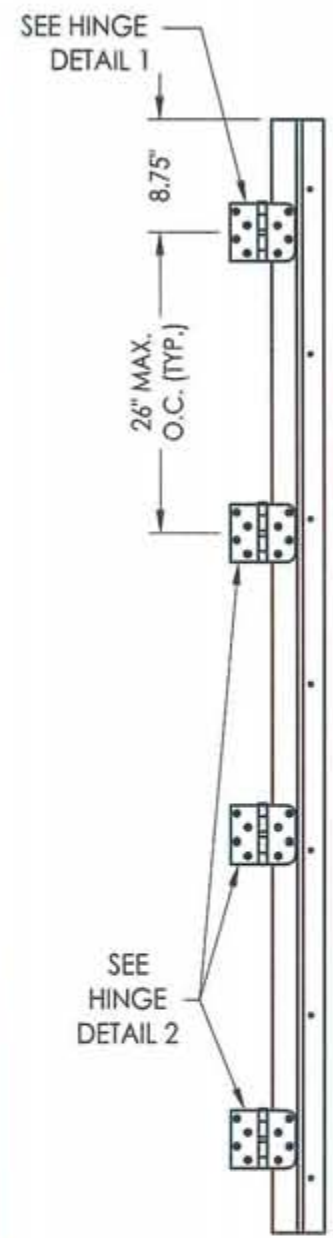
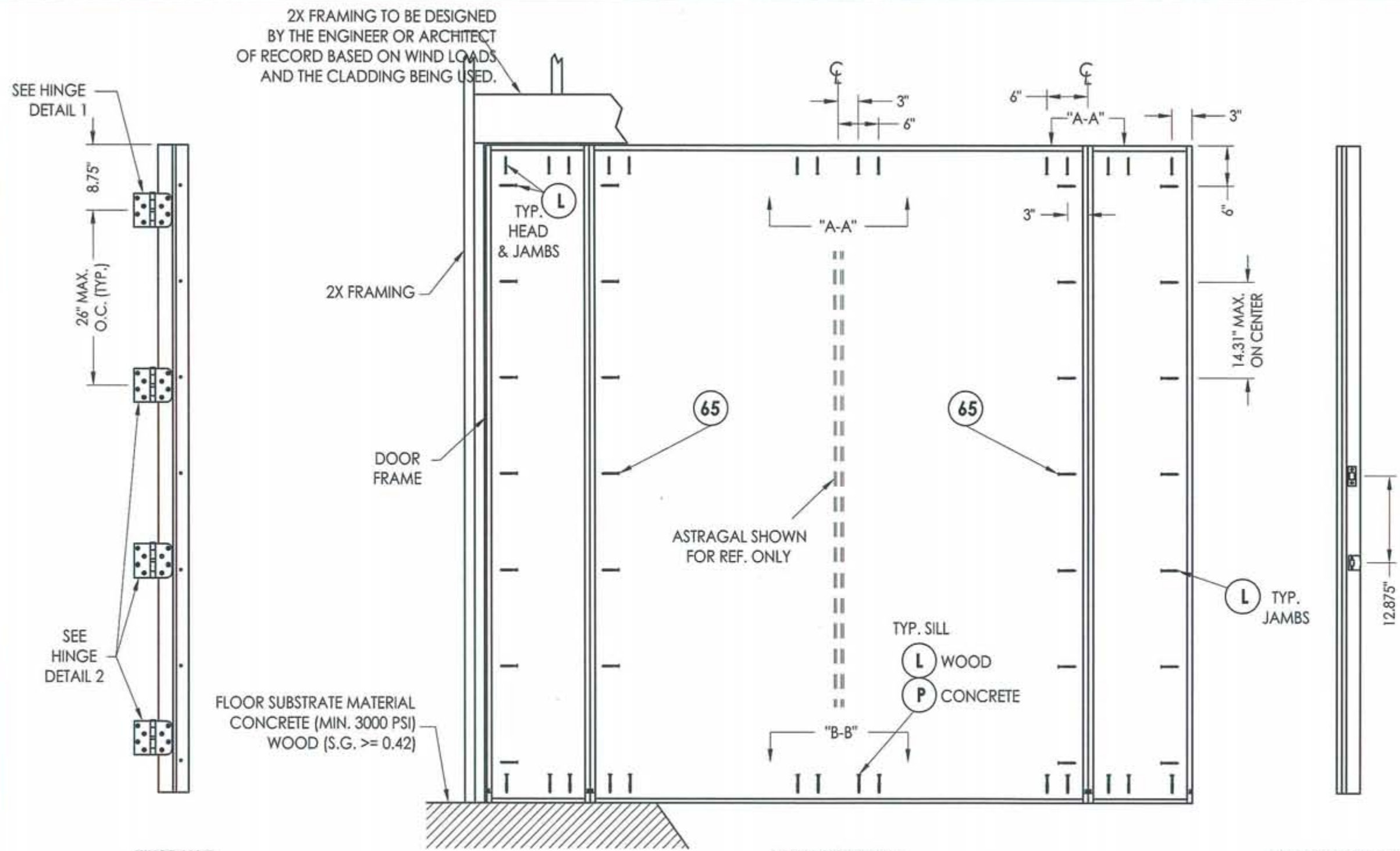
CHK. BY: LFS

DRAWING NO.:

TX-717

SHEET 6 OF 11

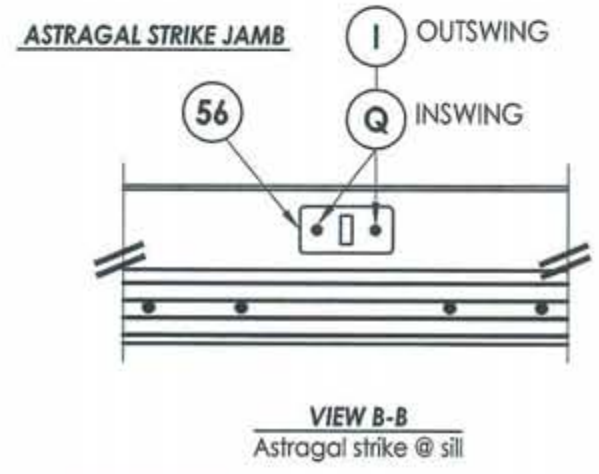
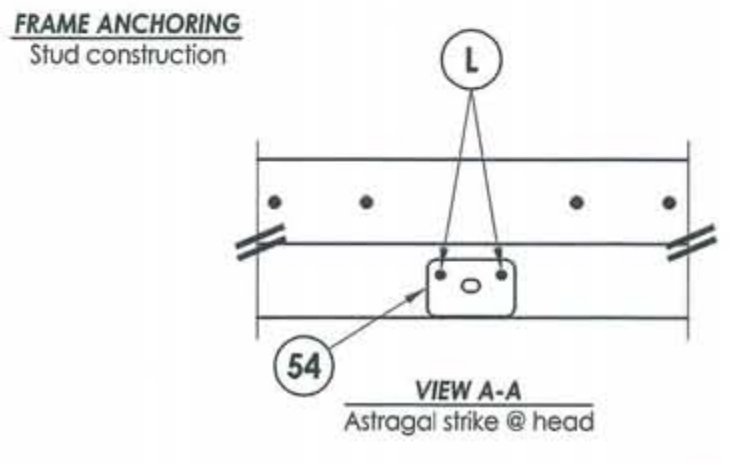
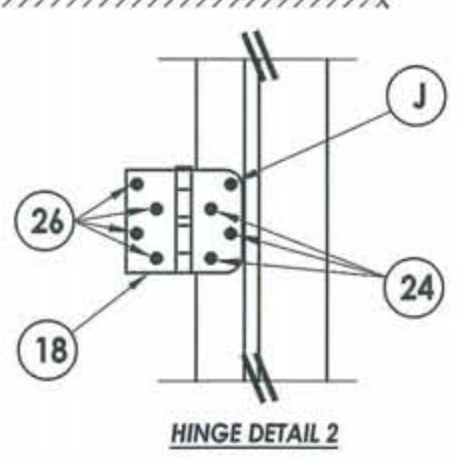
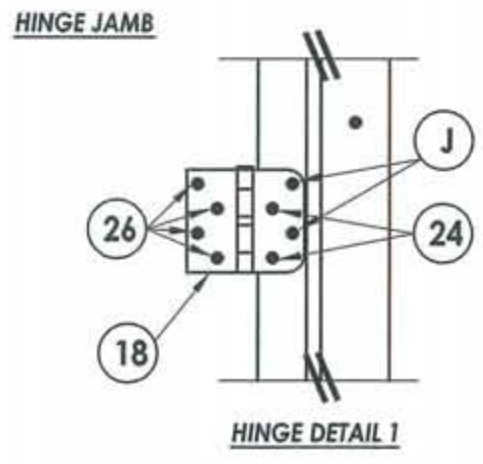
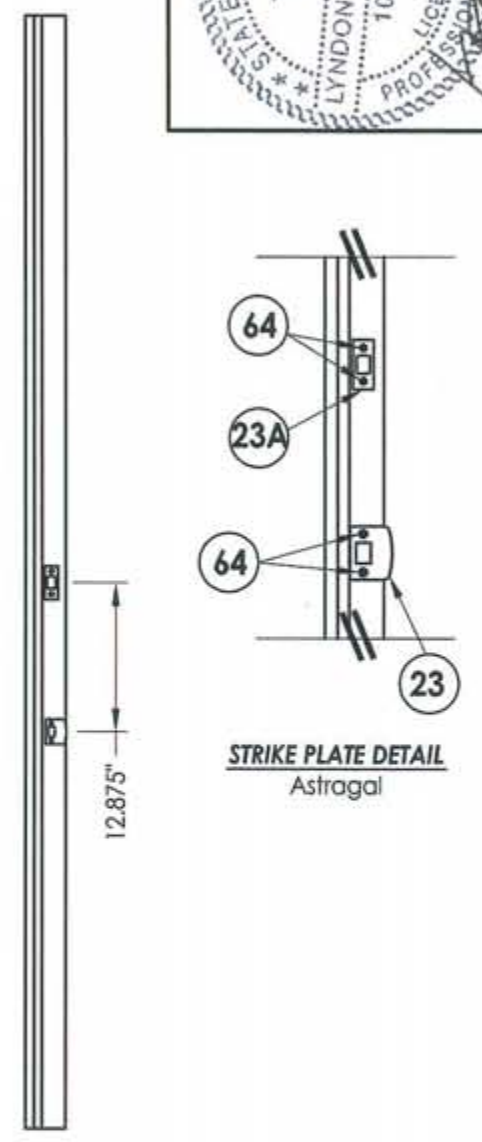
R:\A - Projects\Project Folders\Proj 801 - 900\0826\TX-717\TX-717.dwg, 7



Documents Prepared By: Lyndon F. Schmidt, P.E.
TEXAS P.E. #104123

RW BUILDING CONSULTANTS, INC.
P.O. Box 230 Valrico FL 33595
Phone No.: 813.659.9197

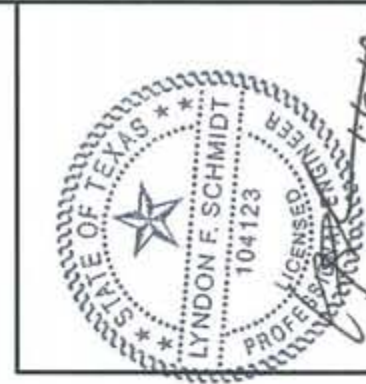
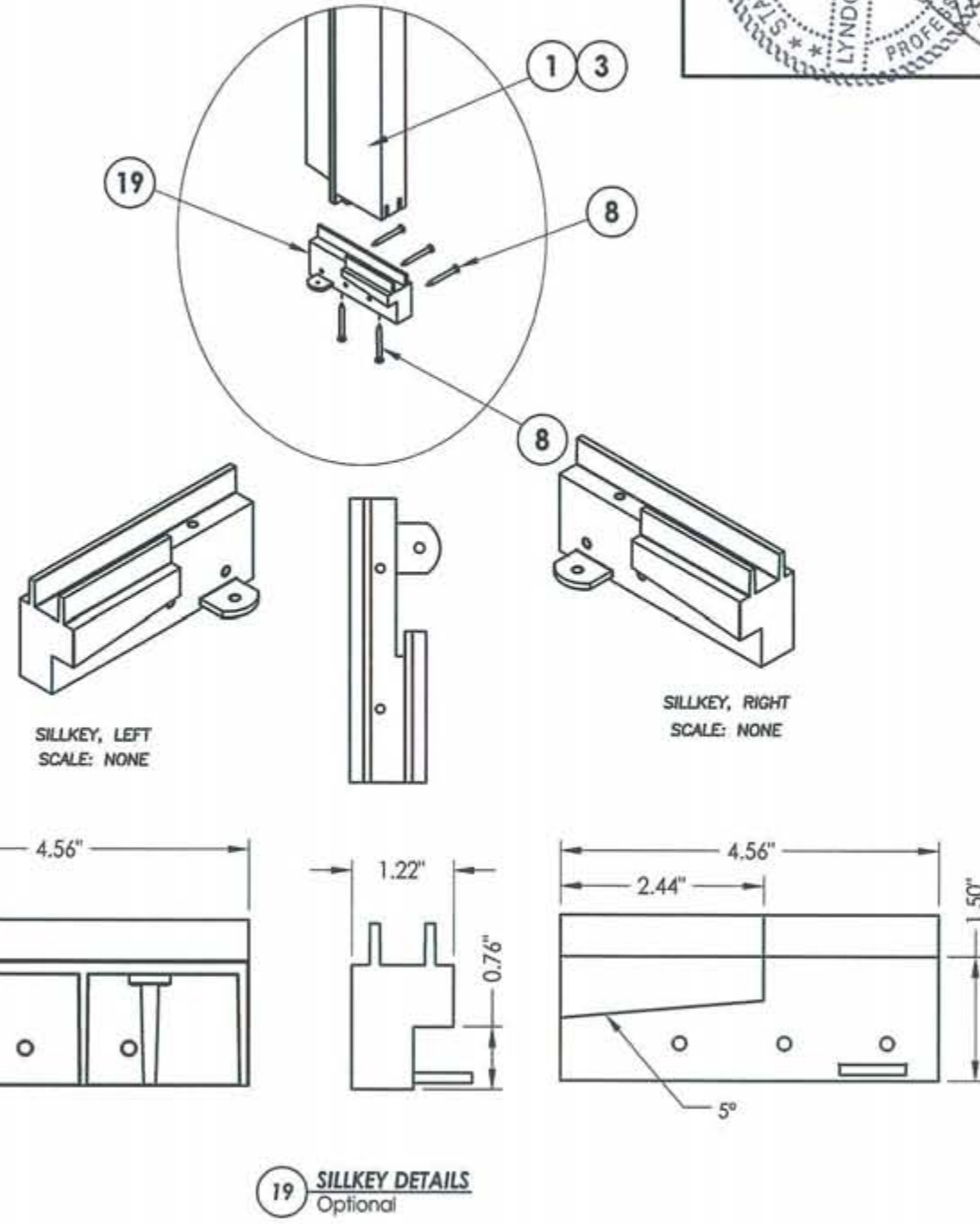
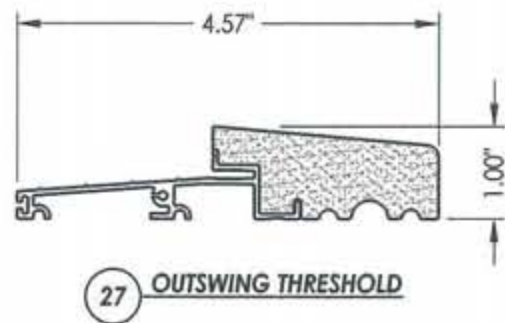
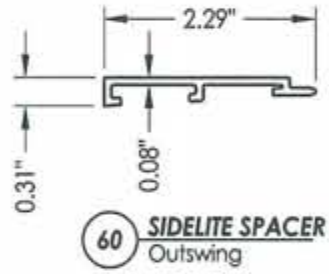
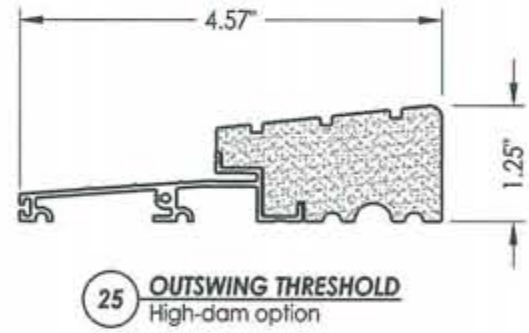
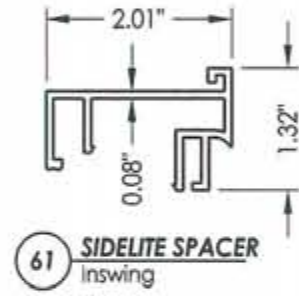
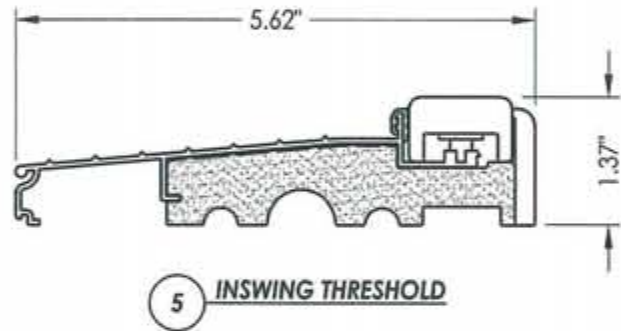
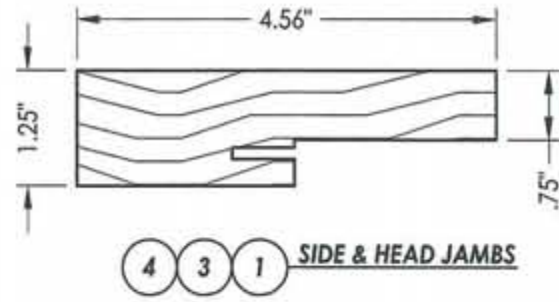
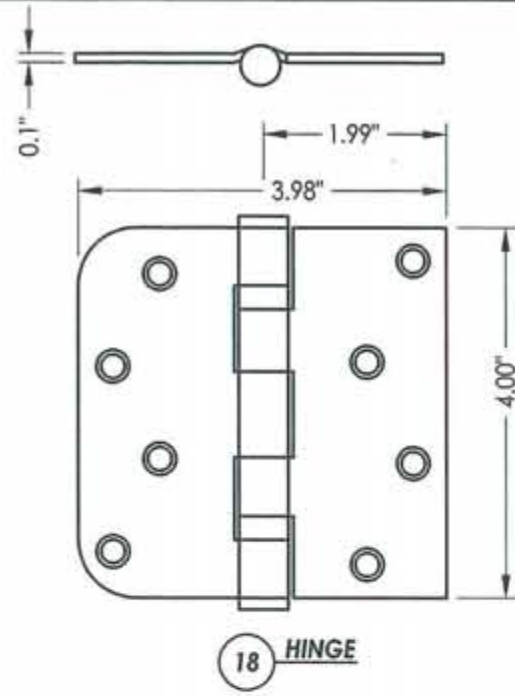
TEXAS BOARD OF PROFESSIONAL ENGINEERS
CERTIFICATE OF REGISTRATION # F-11852



PRODUCT:		TRINITY GLASS INT'L 80 PREMIUM OPAQUE	
PART OR ASSEMBLY:		FRAME ANCHORING	
NO.	DATE	BY	REVISIONS
2	7/27/09	AL	TDI PRODUCT EVALUATION UPDATE
1	6/28/06	EW	REVISED LOCKSET NOMENCLATURE

DATE: 11/21/05
SCALE: N.T.S.
DWG. BY: AEM
CHK. BY: LFS
DRAWING NO.: TX-717
SHEET 7 OF 11

© 2009 R.W. BUILDING CONSULTANTS INC.



Documents Prepared By: Lyndon F. Schmidt, P.E.
TEXAS P.E. #104123

RW BUILDING CONSULTANTS, INC.
P.O. Box 230 Velrico FL 33595
Phone No.: 813.659.9197

TEXAS BOARD OF PROFESSIONAL ENGINEERS
CERTIFICATE OF REGISTRATION # F-11852

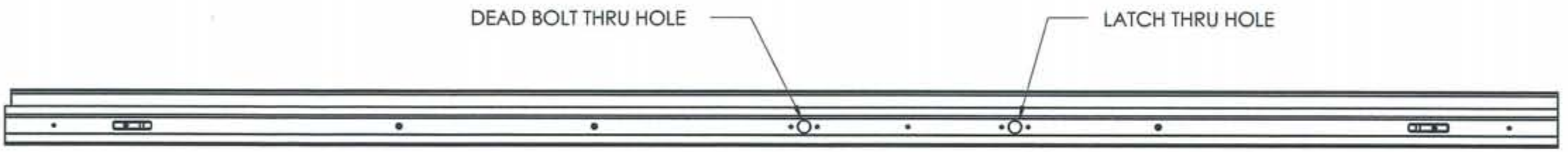
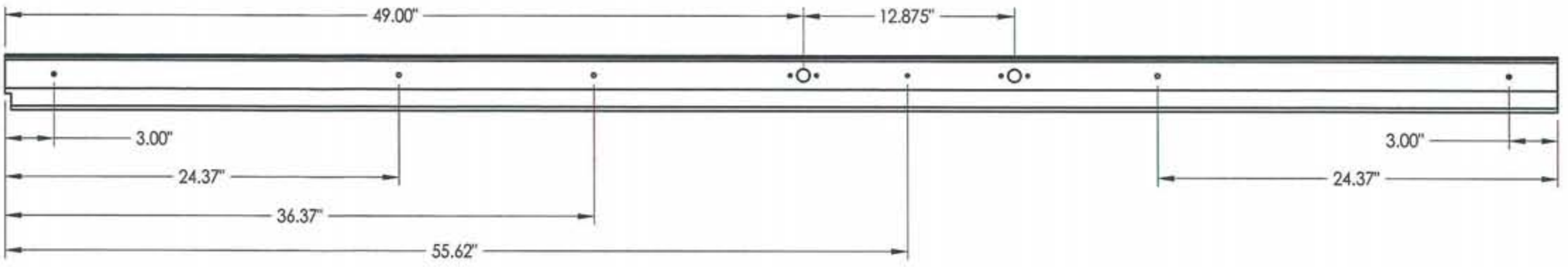
PRODUCT:		TRINITY GLASS INT'L 8'0 PREMIUM OPAQUE	
PART OR ASSEMBLY:		COMPONENTS	
NO.	DATE	BY	REVISIONS
2	7/27/09	AL	TDI PRODUCT EVALUATION UPDATE
1	6/28/06	EW	REVISED LOCKSET NOMENCLATURE
DATE: 11/21/05			
SCALE: N.T.S.			
DWG. BY: AEM			
CHK. BY: LFS			
DRAWING NO.: TX-717			
SHEET 8 OF 11			



Documents Prepared By: Lyndon F. Schmidt, P.E.
TEXAS P.E. #104123

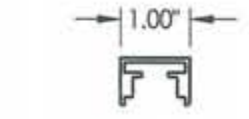
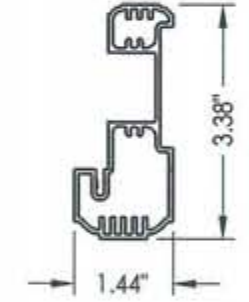
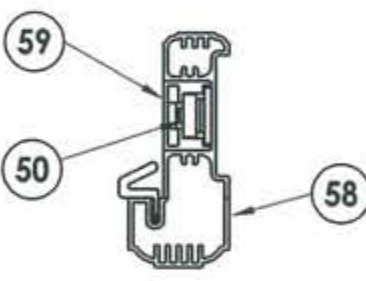
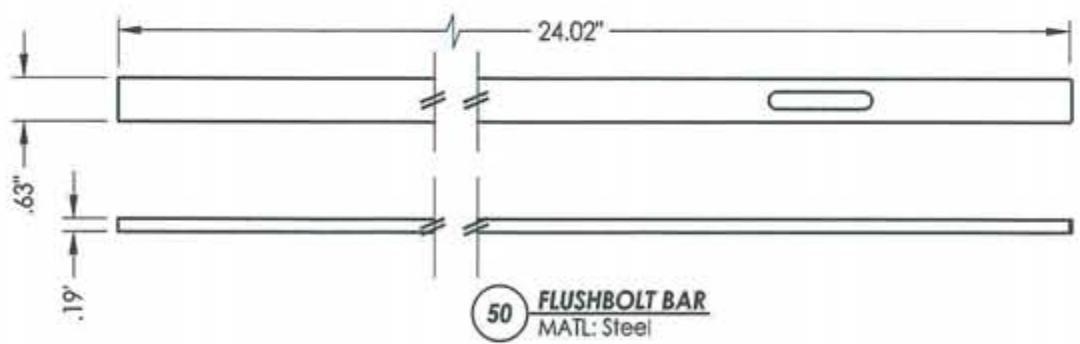
RW BUILDING CONSULTANTS, INC.
P.O. Box 230 Valrico FL 33595
Phone No.: 813.659.9197

TEXAS BOARD OF PROFESSIONAL ENGINEERS
CERTIFICATE OF REGISTRATION # F-11852



8'0 ALUMINUM ASTRAGAL ASSEMBLY
By Trinity

A-A
TOP
BOTTOM



PRODUCT:	TRINITY GLASS INT'L 8'0 PREMIUM OPAQUE
PART OR ASSEMBLY:	TRC ASTRAGAL DETAILS

NO.	DATE	REVISIONS
2	7/27/09	TDI PRODUCT EVALUATION UPDATE
1	6/28/06	REVISED LOCKSET NOMENCLATURE
		AL
		EW
		BY

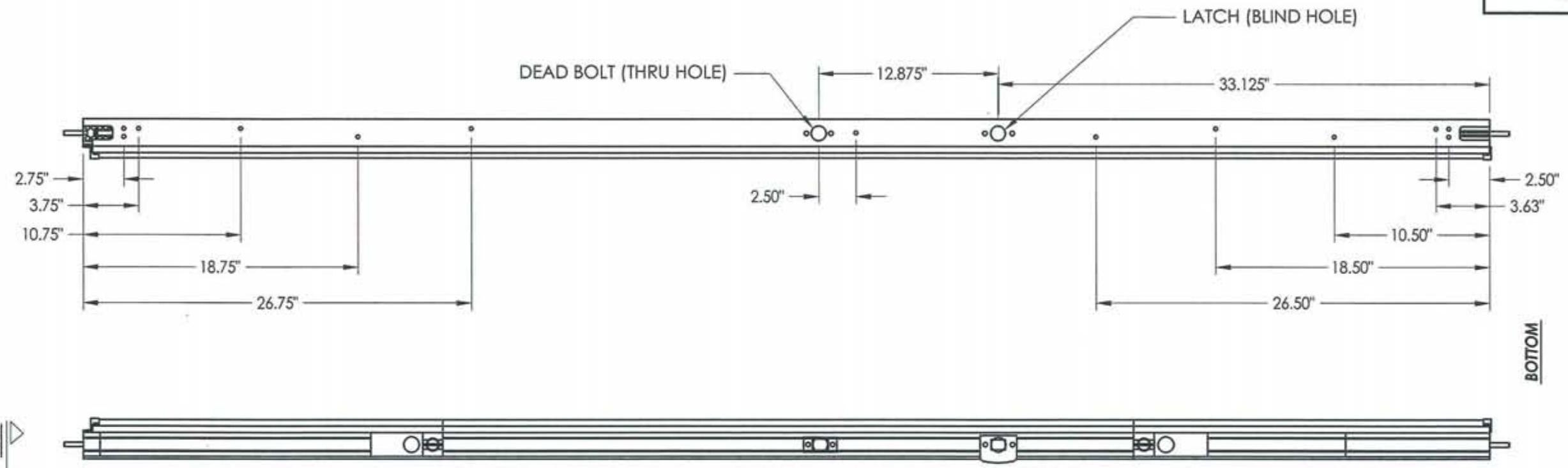
DATE:	11/21/05
SCALE:	N.T.S.
DWG. BY:	AEM
CHK. BY:	LFS
DRAWING NO.:	TX-717
SHEET	9 of 11



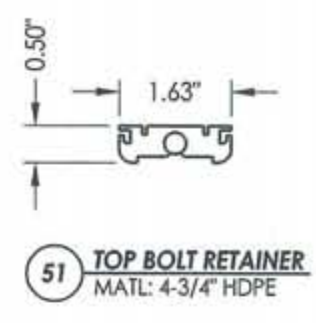
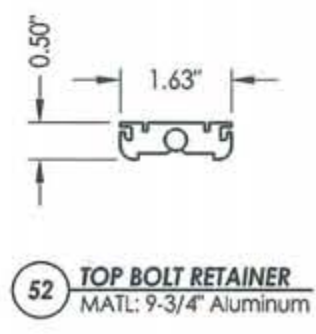
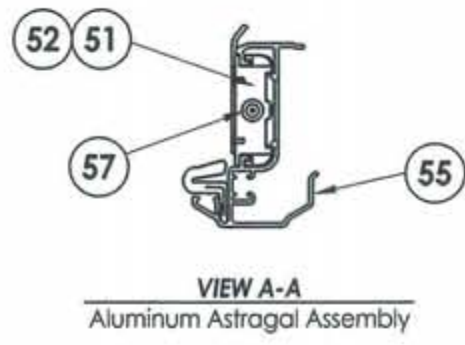
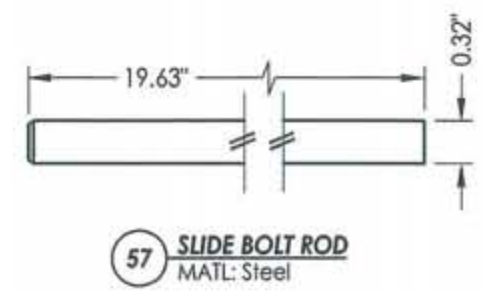
Documents Prepared By: Lyndon F. Schmidt, P.E.
TEXAS P.E. #104123

RW BUILDING CONSULTANTS, INC.
P.O. Box 230 Vairico FL 33595
Phone No.: 813.659.9197

TEXAS BOARD OF PROFESSIONAL ENGINEERS
CERTIFICATE OF REGISTRATION # F-11852



8'-0" ALUMINUM ASTRAGAL ASSEMBLY
By Endura Products



PRODUCT: TRINITY GLASS INT'L
8'0 PREMIUM OPAQUE

PART OR ASSEMBLY:
ENDURA ASTRAGAL DETAILS

NO.	DATE	BY	REVISIONS
2	7/27/09	AL	TDI PRODUCT EVALUATION UPDATE
1	6/28/06	EW	REVISED LOCKSET NOMENCLATURE

DATE: 11/21/05
SCALE: N.T.S.
DWG. BY: AEM
CHK. BY: LFS
DRAWING NO.: TX-717
SHEET 10 of 11

R:\A - Projects\Project Folders\Proj 801 - 900\p826\TX-717\TX-717.dwg, 11

BILL OF MATERIALS		
ITEM	DESCRIPTION	MATERIAL
A	2X HEADER FRAMING SG >= 0.42	WOOD
B	2X FRAMING SG >= 0.42	WOOD
I	3/16" X 1-3/4" PFH ITW CONCRETE SCREW	STEEL
G	MAX. 1/4" SHIM SPACE	WOOD
J	#9 X 2-1/4" PFH WS	STEEL
L	#8 X 3" PFH WS	STEEL
P	3/16" X 2-3/4" ELCO OR ITW PFH CONCRETE SCREW	STEEL
Q	3/16" X 3-1/4" ITW CONCRETE SCREW	STEEL
1	SIDELITE JAMB - FINGER-JOINT PINE - SG >= 0.42	WOOD
3	HINGE JAMB - FINGER-JOINT PINE - SG >= 0.42	WOOD
4	HEAD - FINGER-JOINT PINE - SG >= 0.42	WOOD
5	INSWING THRESHOLD ALUMINUM W/ COMPOSITE SUBSTRATE	ALUMINUM
6	DOOR BOTTOM SWEEP	PVC
7	DOOR PANEL - SEE DOOR PANEL DETAIL SHEET FOR CONSTRUCTION DETAILS	-
8	#6 X 1-1/4 PFH DRYWALL SCREW	STEEL
12	WEATHER STRIP QEBD650 Q-LON	-
18	3.983" X 4.0" HINGE MIN 0.098" THICK	STEEL
19	SILLKEY	PC/ASA
21	LOCK (SEE LOCK & DEADBOLT RATINGS CHART)	STEEL
22	DEADBOLT (SEE LOCK & DEADBOLT RATINGS CHART)	STEEL
23	STRIKE PLATE	STEEL
23A	DEADBOLT PLATE	STEEL
24	#9 X 5/8" PFH WS	STEEL
25	OUTSWING HIGH-DAM THRESHOLD ALUMINUM W/ COMPOSITE SUBSTRATE	ALUM./ COMP.
26	#9 X 1.0" PFH WS	STEEL
27	OUTSWING THRESHOLD ALUMINUM W/ COMPOSITE SUBSTRATE	ALUM./ COMP.
30	LATCH STILE - SG >= 0.42	LVL/PVC
32	HINGE STILE - SG >= 0.42	LVL/PVC
33	TOP RAIL - POPLAR LVL & WPC COMBINATION	POPLAR/WPC
34	BOTTOM RAIL - POPLAR LVL & WPC COMBINATION	POPLAR/WPC
39	FIBERGLASS SKIN 0.079" MIN. THICKNESS (Fy = 5,203 PSI MIN.)	FIBERGLASS
40	#8 X 1-1/8" SELF THREADING SCREW	STEEL
42	ALUMINUM & BUTYL SPACER SYSTEM	ALUM./BUTYL
44	HOT MELT SEALANT	-
45	LITE FRAME	ABS
46	DOOR PANEL CORE FOAMED	POLYURETHANE
50	FLUSHBOLT BAR	STEEL
51	4-3/4" LENGTH TOP BOLT RETAINER	HDPE
52	9-8/4" LENGTH TOP BOLT RETAINER	ALUMINUM
53	#8 X 1-3/4" PFH SMS	STEEL
54	ASTRAGAL STRIKE @ HEAD	STEEL
55	ENDURA ASTRAGAL BY ENDURA PRODUCTS	ALUMINUM
56	ASTRAGAL STRIKE @ SILL	STEEL
57	SLIDE BOLT ROD	STEEL
58	ASTRAGAL BY TRC	ALUMINUM
59	ASTRAGAL CHANNEL BY TRC	ALUMINUM



Documents Prepared By: Lyndon F. Schmidt, P.E.
TEXAS P.E. #104123

RW BUILDING CONSULTANTS, INC.
P.O. Box 230 Valrico FL 33595
Phone No.: 813.659.9197

TEXAS BOARD OF PROFESSIONAL ENGINEERS
CERTIFICATE OF REGISTRATION # F-11852

BILL OF MATERIALS			
ITEM	DESCRIPTION	MATERIAL	
60	SIDELITE SPACER - OUTSWING	PVC	
61	SIDELITE SPACER - INSWING	PVC	
62	QUARTER ROUND	WOOD	
63	#8 x 2-1/4" PFH SCREW	STEEL	
64	#8 x 2" PFH WS	STEEL	
65	#10 x 2" PFH WS	STEEL	
66	SIDELITE PANEL - SEE SIDELITE PANEL DETAIL SHEET FOR CONSTRUCTION DETAILS	-	
73	LVL SIDELITE TOP RAIL (FULL LITE)	POPLAR	
74	LVL SIDELITE BOTTOM RAIL (FULL LITE)	POPLAR	
75	LVL SIDELITE STILE (FULL LITE)	POPLAR	

CONCRETE ANCHOR NOTES:

1. Substitution of equal concrete anchors from a different supplier may have different edge distance and center distance requirements.
2. Concrete anchor locations at the corners may be adjusted to maintain the min. edge distance to mortar joints. If concrete anchor locations noted as "MAX. ON CENTER" must be adjusted to maintain the min. edge distance to mortar joints, additional concrete anchors may be required to ensure the "MAX. ON CENTER" dimensions are not exceeded.
3. Concrete anchor table:

ANCHOR TYPE	ANCHOR SIZE	MIN. EMBEDMENT	MIN. CLEARANCE TO MASONRY EDGE	MIN. CLEARANCE TO ADJACENT ANCHOR
ITW	3/16"	1-3/4"	2-5/8"	2-1/4"
ELCO	3/16"	1-3/4"	1"	3"

PRODUCT:	TRINITY GLASS INT'L 8'0" PREMIUM OPAQUE		
PART OR ASSEMBLY:	BILL OF MATERIALS		
NO.	DATE	BY	REVISIONS
2	7/27/09	TDI	PRODUCT EVALUATION UPDATE
1	6/28/06	REVISOR	LOCKSET NOMENCLATURE
DATE: 11/21/05			
SCALE: N.T.S.			
DWG. BY: AEM			
CHK. BY: LFS			
DRAWING NO.: TX-717			
SHEET 11 OF 11			