

**3'0 X 8'0**  
**OPAQUE PREMIUM FIBERGLASS**  
**SINGLE DOOR WITH SIDELITE(S) (CHS)**  
**IN SWING / OUT SWING**  
**"IMPACT" DOOR WITH "NON-IMPACT" SIDELITE(S)**

**EVALUATED FOR USE IN THE STATE OF TEXAS**

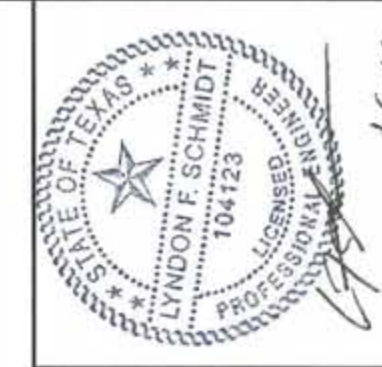
The Trinity Opaque Premium Fiberglass Door with sidelite(s) (CHS) described herein complies with the 2006 International Residential Code (IRC), Sections R301 & R613 and the 2006 International Building Code (IBC), Sections 1405.12, 1609, 1714.5, 2403 and 2404 (including Texas revisions) subject to the following conditions:

1. Anchors shall be as listed and spaced as shown in the details. Anchor embedment to base material shall be beyond wall dressing or stucco.
2. When used in wind borne debris regions, the opaque door panel complies with Sections R301.2.1.2 of the IRC and 1609.1.2 of the IRC as an impact resistant product and does not require the use of an approved impact resistant covering. The sidelite must be protected with an impact resistant covering that complies with sections R301.2.1.2 and 1609.1.2. This product does not meet the requirements for enhanced protection of essential facilities as defined in ASTM E1996.
3. Allowable design pressure requirements must be equal to or less than the design pressure rating shown in the design pressure chart, sheet 1 of this drawing.
4. Conditions not covered by this drawing are subject to further engineering analysis.

**SUPPORTING DOCUMENTS & EVIDENCE**

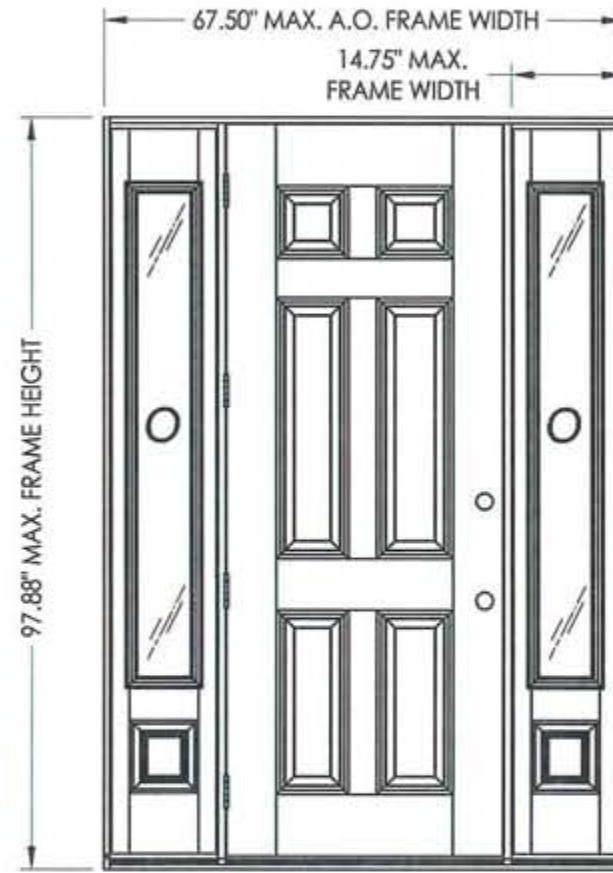
1. Testing per ASTM E330-02, ASTM E1886-02 and ASTM E1996-02 as performed by Testing Evaluation Laboratories, Inc. and reported in test report numbers TEL 05-1026-1 and TEL 05-1026-1-C signed by Wendell W. Haney, P.E.
2. Testing per AAMA/WDMA/CSA101/1.S.2/A440-05, ASTM E1886-02 and ASTM E1996-02 as performed by Testing Evaluation Laboratories, Inc. and reported in test report numbers TEL 08-01370021 and TEL 08-01370021-IC signed by Wendell W. Haney, P.E.
3. Calculations (Anchoring and Glass load resistance report ASTM E1300-04) prepared by Lyndon F. Schmidt, P.E.
4. Certificate of Participation issued by the National Accreditation and Management Institute, Inc., certifying that Trinity Glass Int'l is manufacturing products within a Quality Assurance program.

TABLE OF CONTENTS	
SHEET #	DESCRIPTION
1	Typical elevations, design pressures & general notes
2	Door panel construction details
3	Sidelite panel construction details & glazing details
4	Horizontal cross sections
5	Horizontal cross sections
6	Vertical cross sections
7	Vertical cross sections
8	Frame anchoring (XO)
9	Frame anchoring (OXO)
10	Components
11	Bill of materials

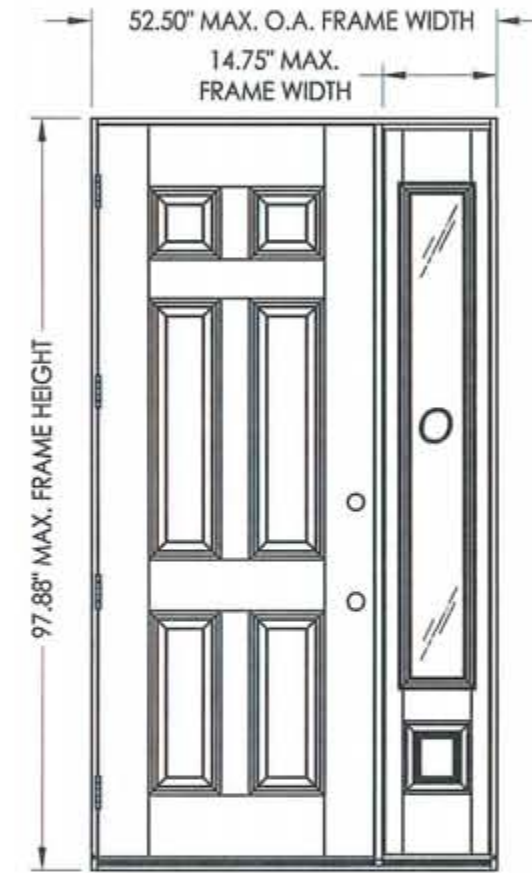


Documents Prepared By: Lyndon F. Schmidt, P.E.  
TEXAS P.E. #104123

**RW** BUILDING CONSULTANTS, INC.  
P.O. Box 230 Valrico FL 33595  
Phone No.: 813.659.9197  
TEXAS BOARD OF PROFESSIONAL ENGINEERS  
CERTIFICATE OF REGISTRATION # F-11852



**CONTINUOUS HEADER AND SILL**



**CONTINUOUS HEADER AND SILL**

UNIT TYPE	SWING	MAX. FRAME DIMENSION	GLASS TYPE	DESIGN PRESSURE (PSF)	
				POSITIVE	NEGATIVE
SINGLE W/ SIDELITES	IN SWING	67.50" x 97.88"	G1	+47.0	-47.0
	OUT SWING	67.50" x 96.75"		+47.0	-47.0
SINGLE W/ SIDELITE	IN SWING	52.50" x 97.88"	G1	+47.0	-47.0
	OUT SWING	52.50" x 96.75"		+47.0	-47.0

Refer to Table (sheet 4) for Passage Lock Rating Limitations

PRODUCT:	TRINITY GLASS INT'L 8'0 PREMIUM OPAQUE	
PART OR ASSEMBLY:	TYPICAL ELEVATIONS, DESIGN PRESSURES & GENERAL NOTES	
NO.	DATE	BY
2	7/27/09	AL
1	6/28/06	EW
REVISIONS		
DATE:	11/21/05	
SCALE:	N.T.S.	
DWG. BY:	AEM	
CHK. BY:	LFS	
DRAWING NO.:	TX-716	
SHEET	1 OF 11	

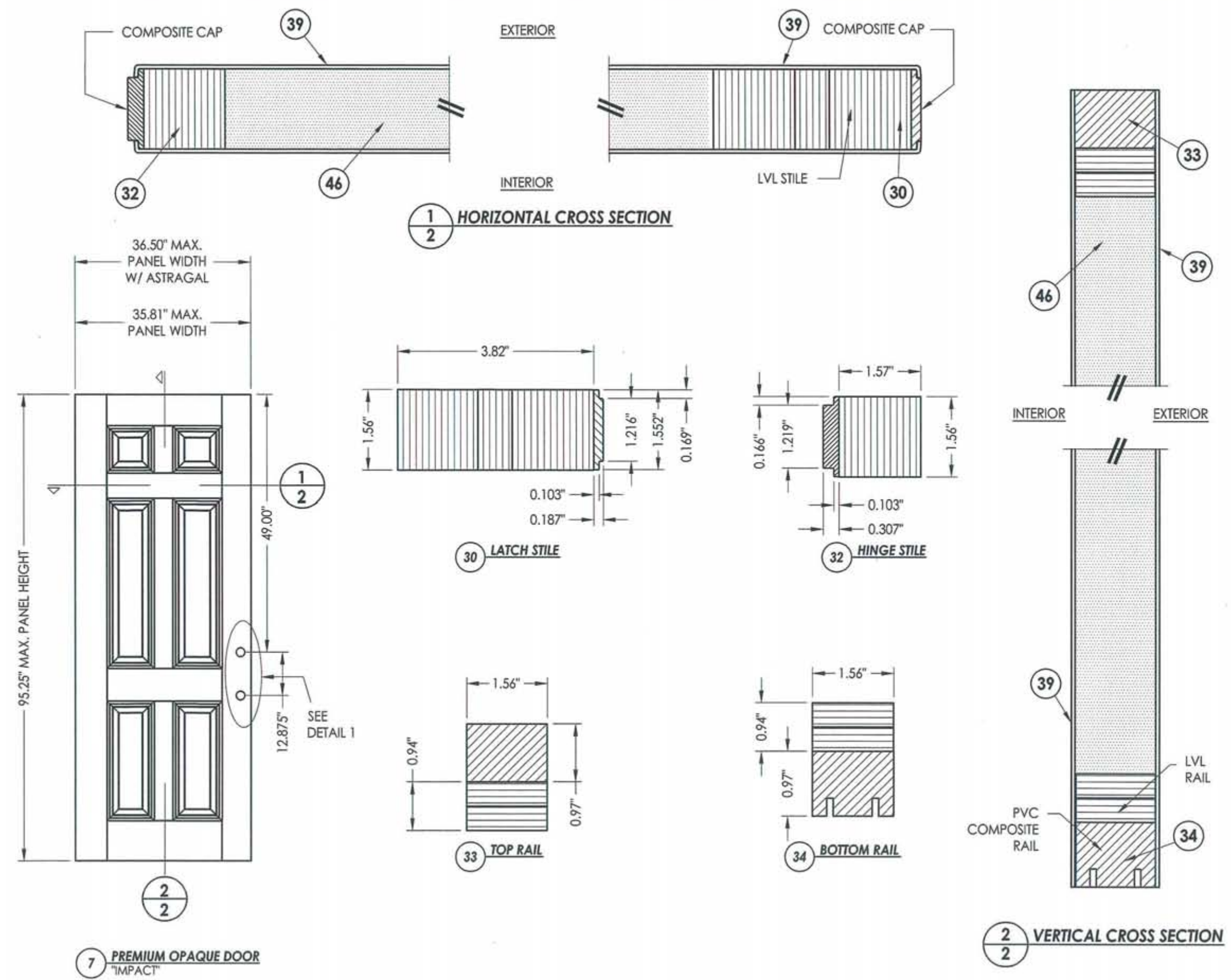




Documents Prepared By: Lyndon F. Schmidt, P.E.  
 TEXAS P.E. #104123

**RW** BUILDING CONSULTANTS, INC.  
 P.O. Box 230 Valrico FL 33595  
 Phone No.: 813.659.9197

TEXAS BOARD OF PROFESSIONAL ENGINEERS  
 CERTIFICATE OF REGISTRATION # F-11852



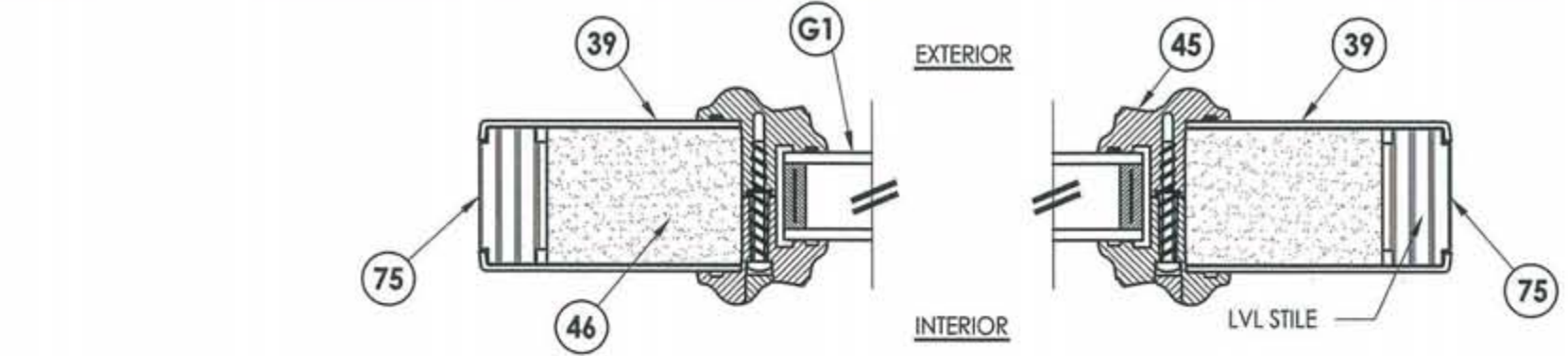
PRODUCT: TRINITY GLASS INT'L  
 8'0 PREMIUM OPAQUE

PART OR ASSEMBLY:  
 DOOR PANEL  
 CONSTRUCTION DETAILS

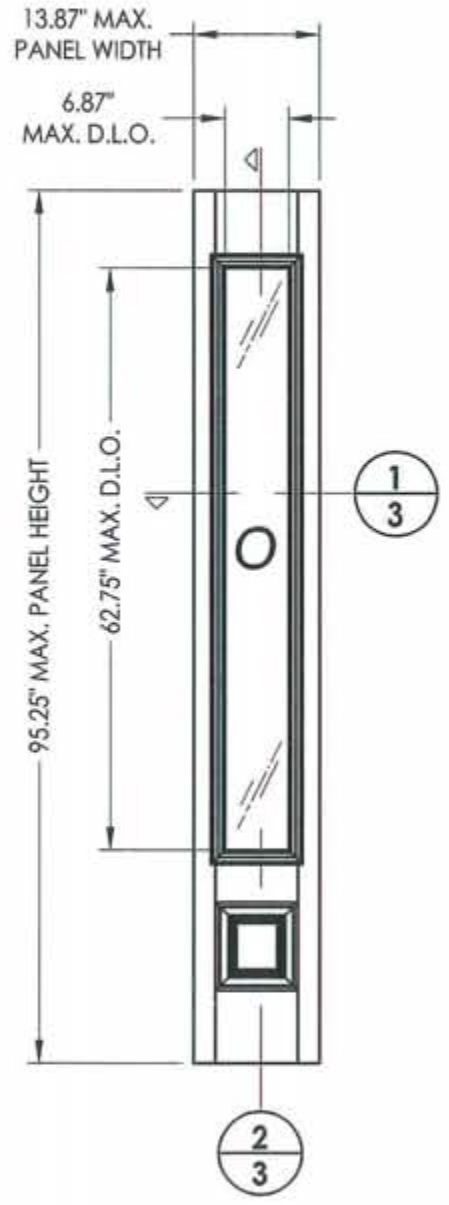
REVISIONS			
NO.	DATE	BY	DESCRIPTION
2	7/27/09	AL	TDI PRODUCT EVALUATION UPDATE
1	6/28/06	EW	REVISED LOCKSET NOMENCLATURE

DATE: 11/21/05  
 SCALE: N.T.S.  
 DWG. BY: AEM  
 CHK. BY: LFS  
 DRAWING NO.: TX-716  
 SHEET 2 OF 11

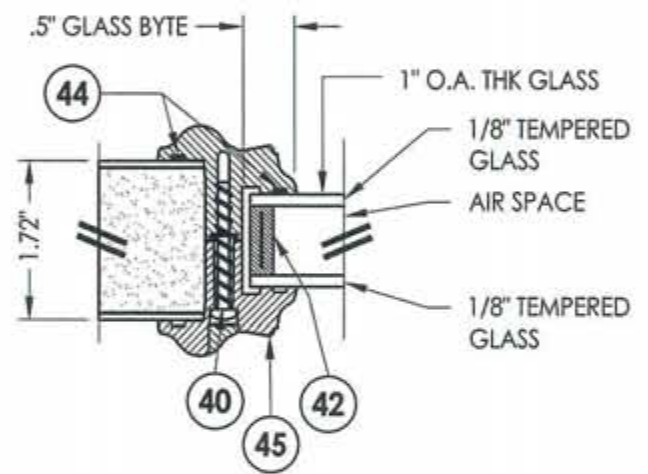




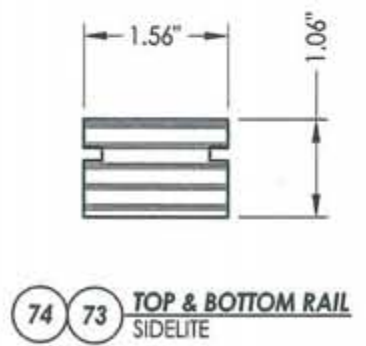
**1**  
**3** HORIZONTAL CROSS SECTION



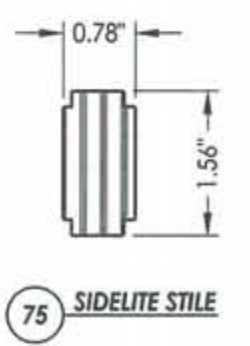
**66** FIBERGLASS SIDELITE  
NON-IMPACT



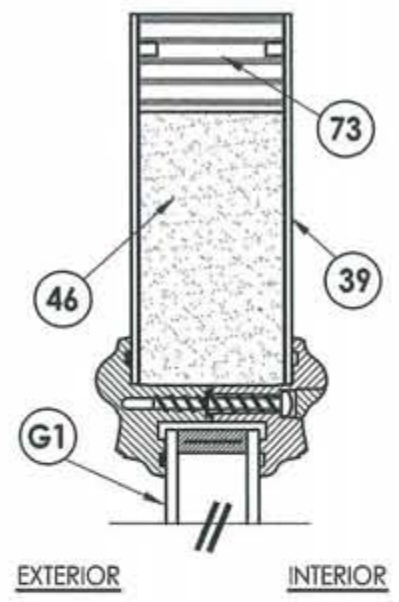
**G1** GLAZING DETAIL



**74** **73** TOP & BOTTOM RAIL  
SIDELITE



**75** SIDELITE STILE



**2**  
**3** VERTICAL CROSS SECTION



Documents Prepared By: Lyndon F. Schmidt, P.E.  
TEXAS P.E. #104123

**RW** BUILDING CONSULTANTS, INC.  
P.O. Box 230 Valrico FL 33595  
Phone No.: 813.659.9197

TEXAS BOARD OF PROFESSIONAL ENGINEERS  
CERTIFICATE OF REGISTRATION # F-11852

PRODUCT: TRINITY GLASS INT'L  
8'0 PREMIUM OPAQUE

PART OR ASSEMBLY:  
SIDELITE PANEL CONSTRUCTION  
DETAILS AND GLAZING DETAILS

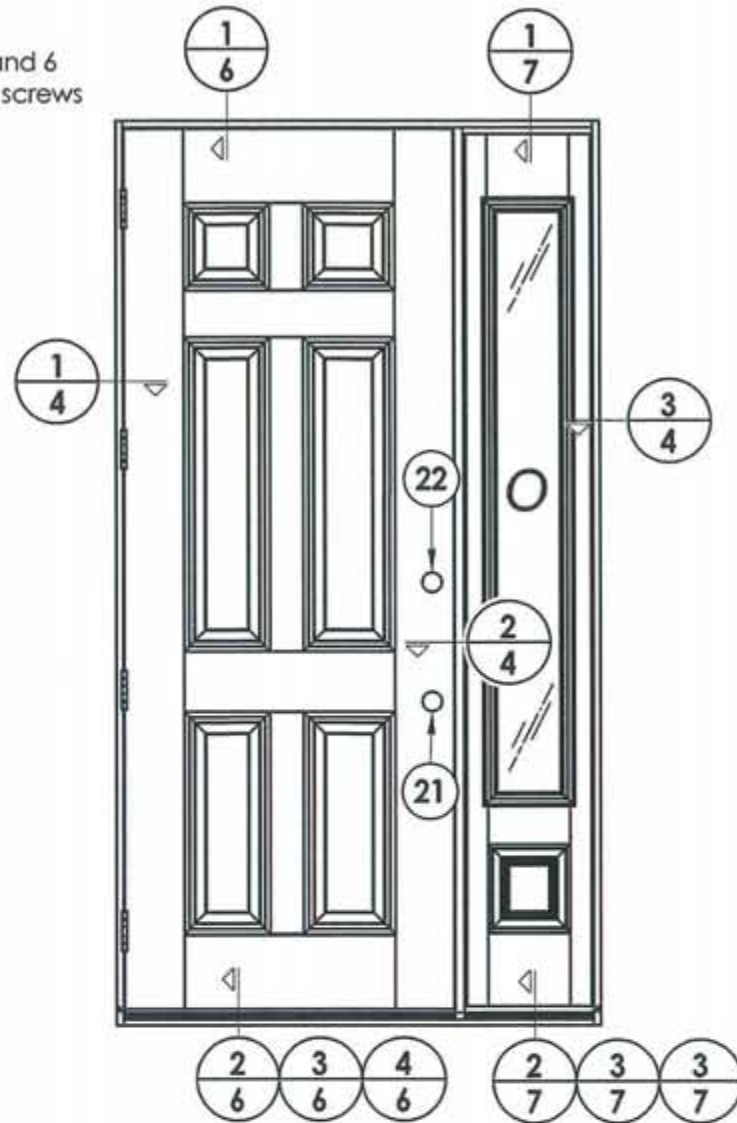
NO.	DATE	REVISIONS
2	7/27/09	TDI PRODUCT EVALUATION UPDATE
1	6/28/06	REVISED LOCKSET NOMENCLATURE
		AL
		EW
		BY

DATE: 11/21/05  
SCALE: N.T.S.  
DWG. BY: AEM  
CHK. BY: LFS  
DRAWING NO.: TX-716  
SHEET 3 OF 11



NOTE:

1. Sidelite ass'y fastener: 6" from each end and 6 more screws equally spaced between (8 screws total per jamb).



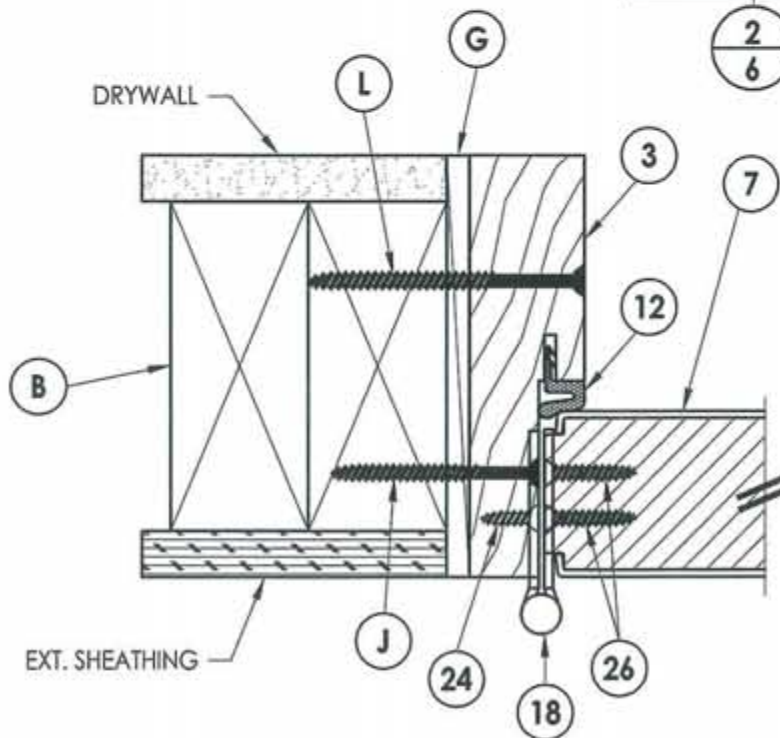
LOCK & DEADBOLT RATINGS CHART				
MANUFACTURER	MODEL	ITEM #	MAX. DESIGN PRESSURE (PSF)	
			POSITIVE	NEGATIVE
KWIKSET	LOCK: 740	21	+47.0	-47.0
	DEADBOLT: 780	22		
KWIKSET	LOCK: COMBO 660	21	+47.0	-47.0
	DEADBOLT: COMBO 660	22		
SCHLAGE	LOCK: MAX. SECURITY	21	+47.0	-47.0
	DEADBOLT: MAX. SECURITY	22		



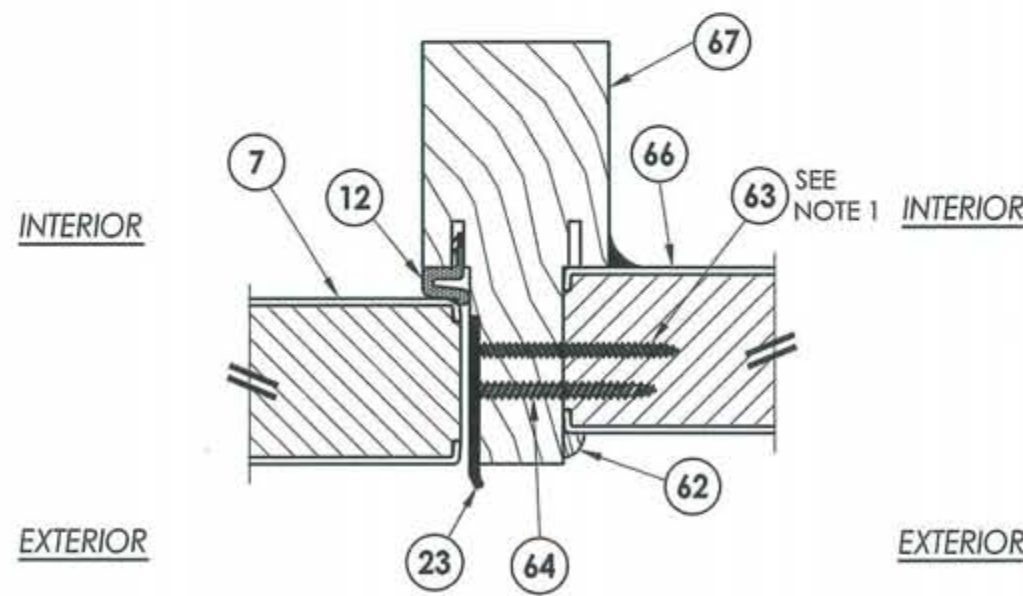
Documents Prepared By: Lyndon F. Schmidt, P.E.  
TEXAS P.E. #104123

RW BUILDING CONSULTANTS, INC.  
P.O. Box 230 Vailico FL 33595  
Phone No.: 813.859.9197

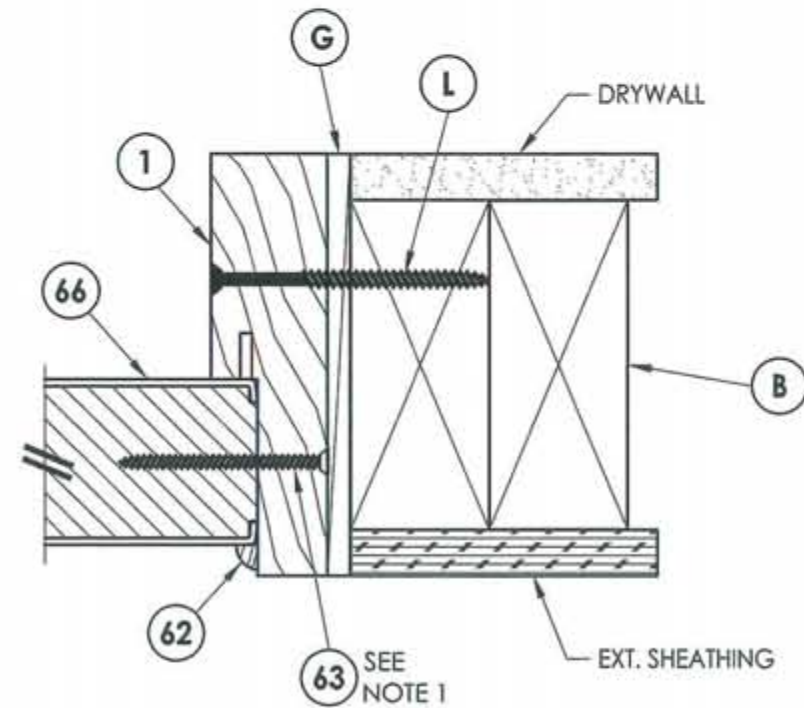
TEXAS BOARD OF PROFESSIONAL ENGINEERS  
CERTIFICATE OF REGISTRATION # F-11852



1 HORIZONTAL CROSS SECTION  
4 Outswing shown  
Inswing also approved



2 HORIZONTAL CROSS SECTION  
4 Outswing shown  
Inswing also approved



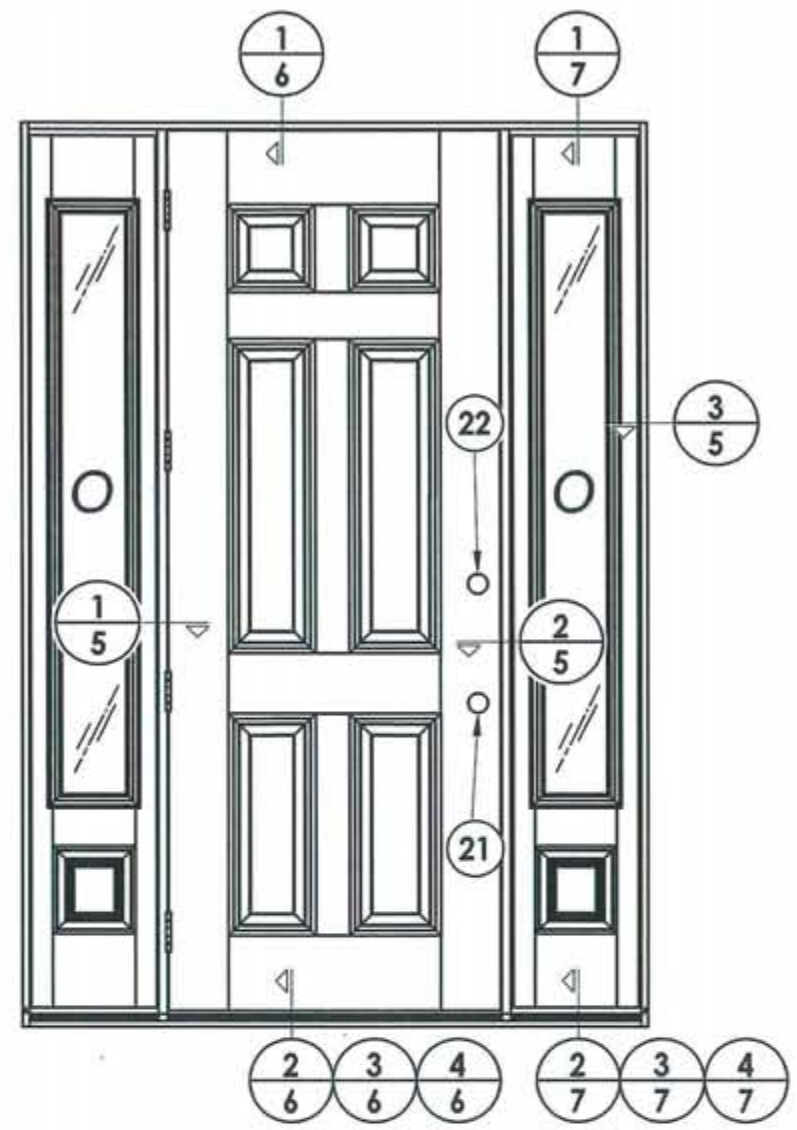
3 HORIZONTAL CROSS SECTION  
4 Outswing shown  
Inswing also approved

PRODUCT: TRINITY GLASS INT'L  
8'0" PREMIUM OPAQUE  
PART OR ASSEMBLY:  
HORIZONTAL CROSS SECTIONS

NO.	DATE	BY	REVISIONS
2	7/27/09	AL	TDI PRODUCT EVALUATION UPDATE
1	6/28/06	EW	REVISED LOCKSET NOMENCLATURE

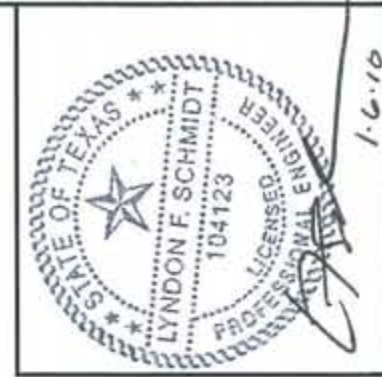
DATE: 11/21/05  
SCALE: N.T.S.  
DWG. BY: AEM  
CHK. BY: LFS  
DRAWING NO.: TX-716  
SHEET 4 of 11





**NOTE:**

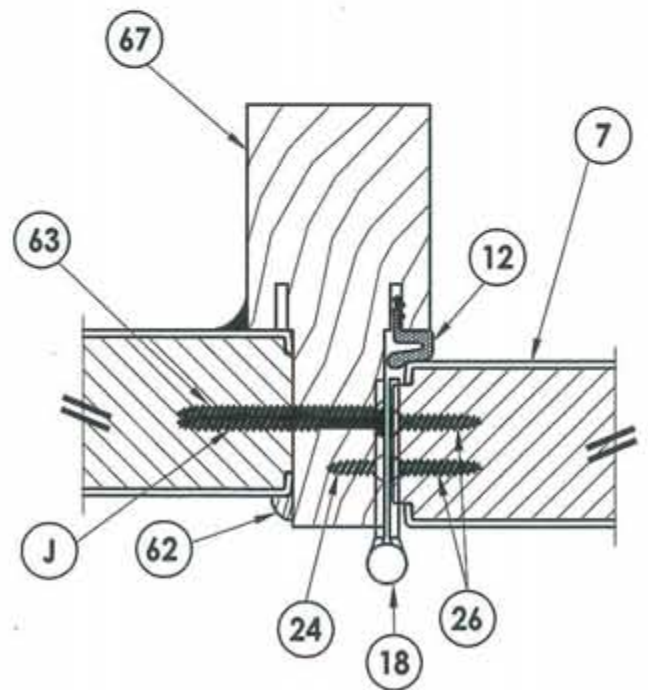
1. Sidelite ass'y fastener: 6" from each end and 6 more screws equally spaced between (8 screws total per jamb).
2. Refer to Table (sheet 4) for Passage Lock Rating Limitations



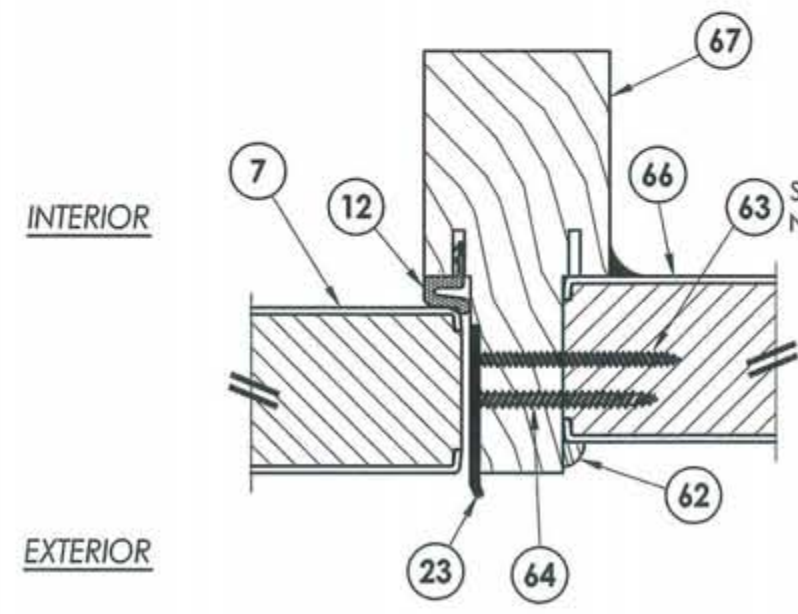
Documents Prepared By: Lyndon F. Schmidt, P.E.  
TEXAS P.E. #104123

**RW** BUILDING CONSULTANTS, INC.  
P.O. Box 230 Valrico FL 33595  
Phone No.: 813.859.9197

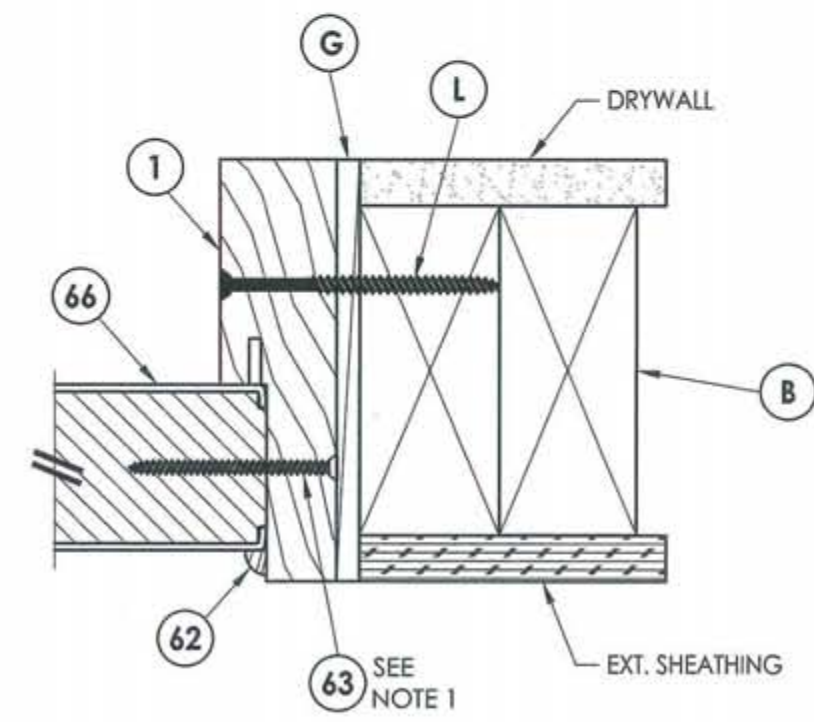
TEXAS BOARD OF PROFESSIONAL ENGINEERS  
CERTIFICATE OF REGISTRATION # F-11852



**5 HORIZONTAL CROSS SECTION**  
4 Outswing shown  
Inswing also approved



**2 HORIZONTAL CROSS SECTION**  
5 Outswing shown  
Inswing also approved



**3 HORIZONTAL CROSS SECTION**  
5 Outswing shown  
Inswing also approved

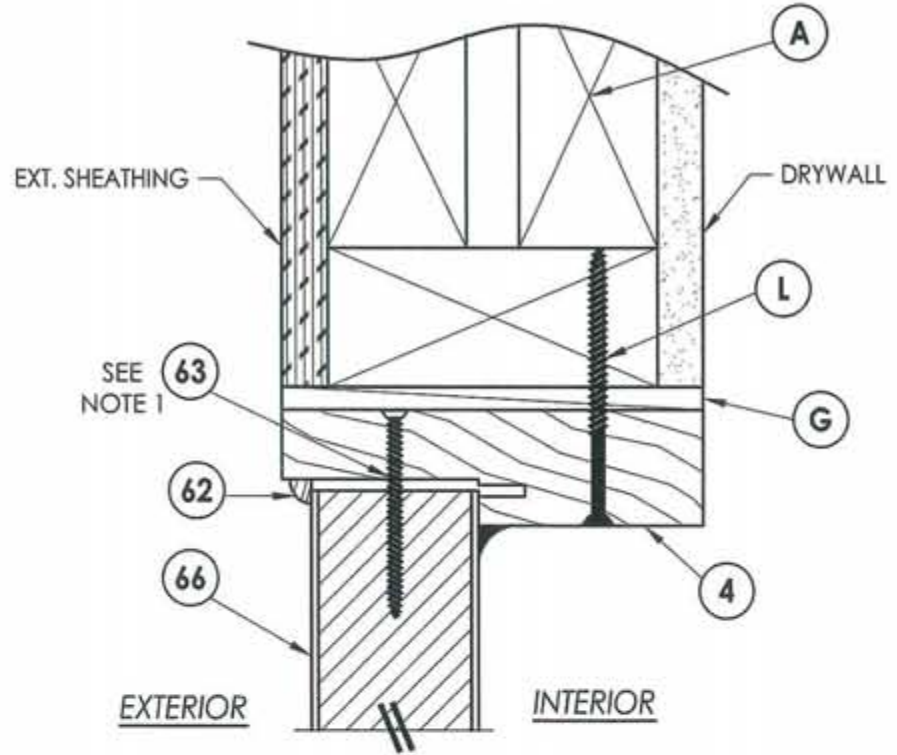
PRODUCT:		TRINITY GLASS INT'L 8'0 PREMIUM OPAQUE	
PART OR ASSEMBLY:		HORIZONTAL CROSS SECTION	
NO.	DATE	REVISIONS	BY
2	7/27/09	TDI PRODUCT EVALUATION UPDATE	AL
1	6/28/06	REVISED LOCKSET NOMENCLATURE	EW
DATE: 11/21/05			
SCALE: N.T.S.			
DWG. BY: AEM			
CHK. BY: LFS			
DRAWING NO.: TX-716			
SHEET 5 of 11			



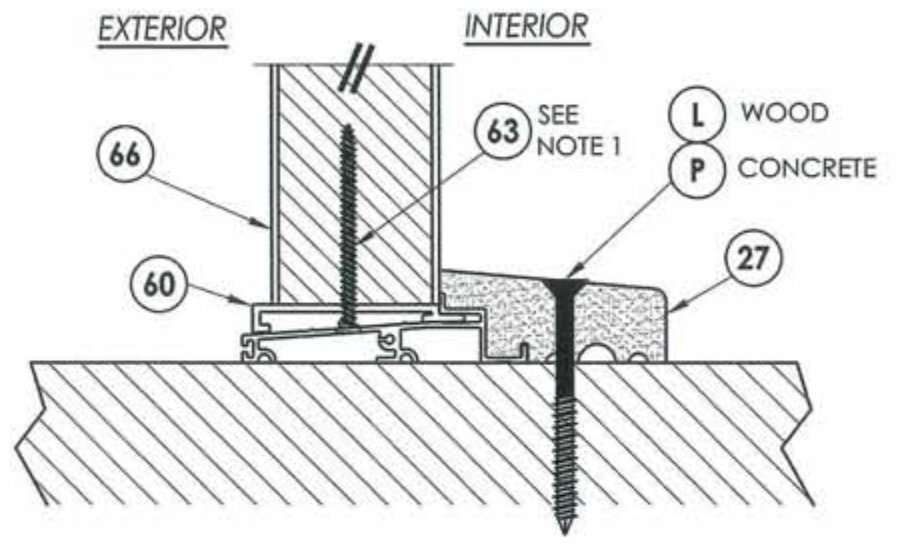




R:\VA - Projects\Project Folders\Proj 801 - 900\pr826\TX-716\TX-716.dwg, 7

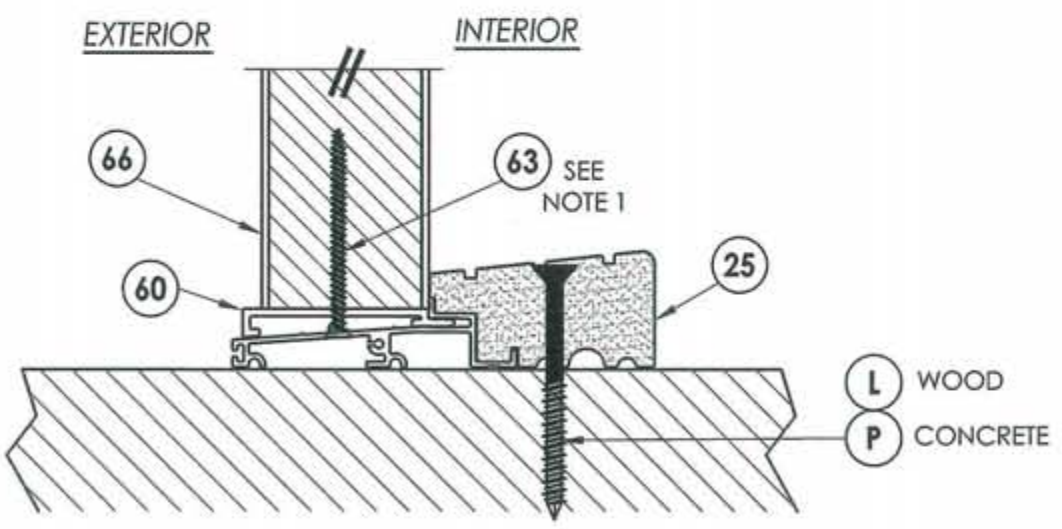


**1** VERTICAL CROSS SECTION  
**7** Outswing shown  
 Inswing also approved

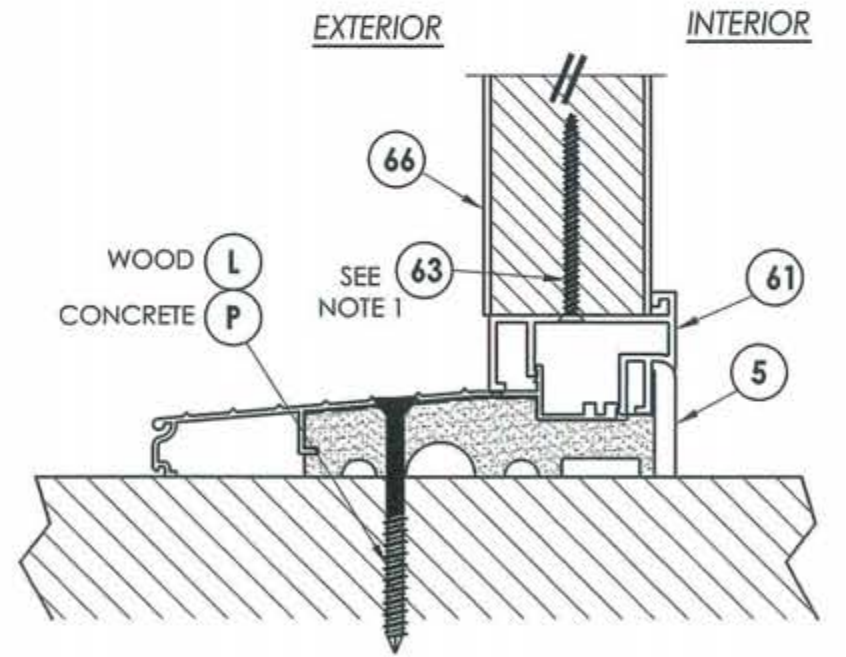


**2** VERTICAL CROSS SECTION  
**7** Outswing sill

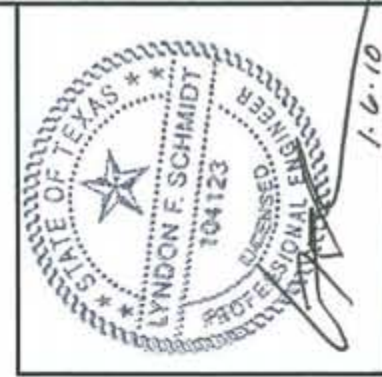
NOTE:  
 1. Screws thru head and sill jamb located 3" from each end and on center line.



**3** VERTICAL CROSS SECTION  
**7** Outswing sill - high dam



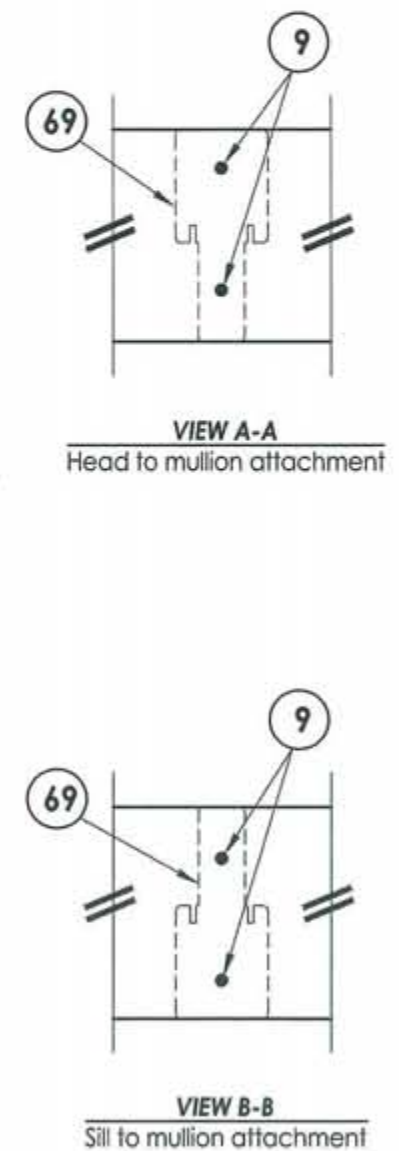
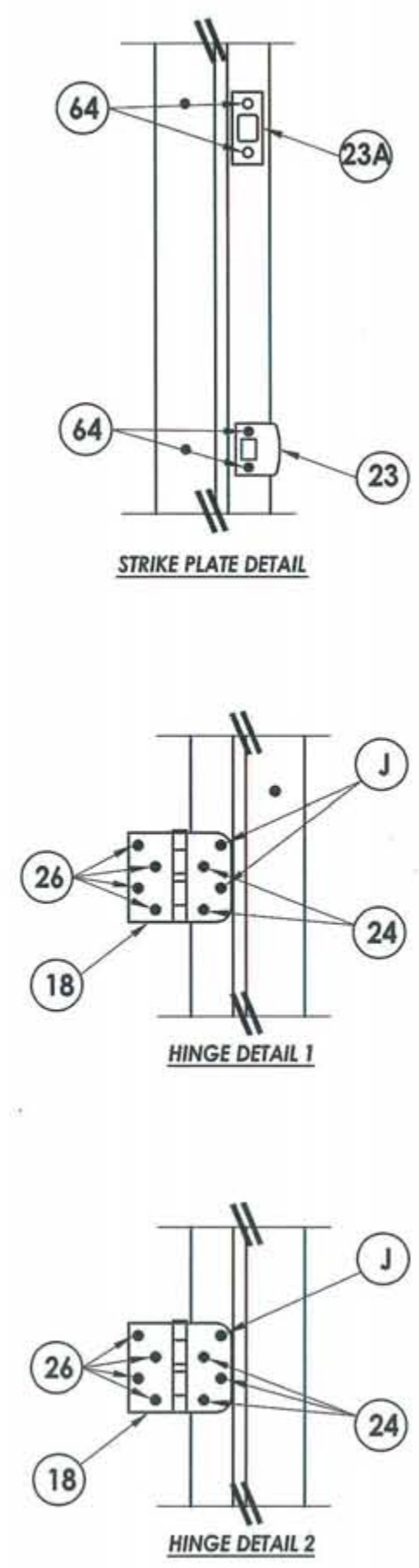
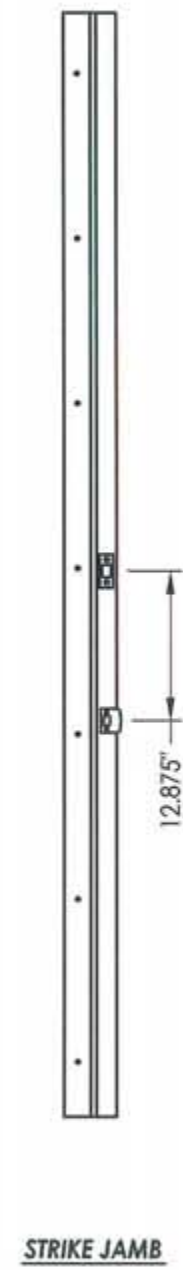
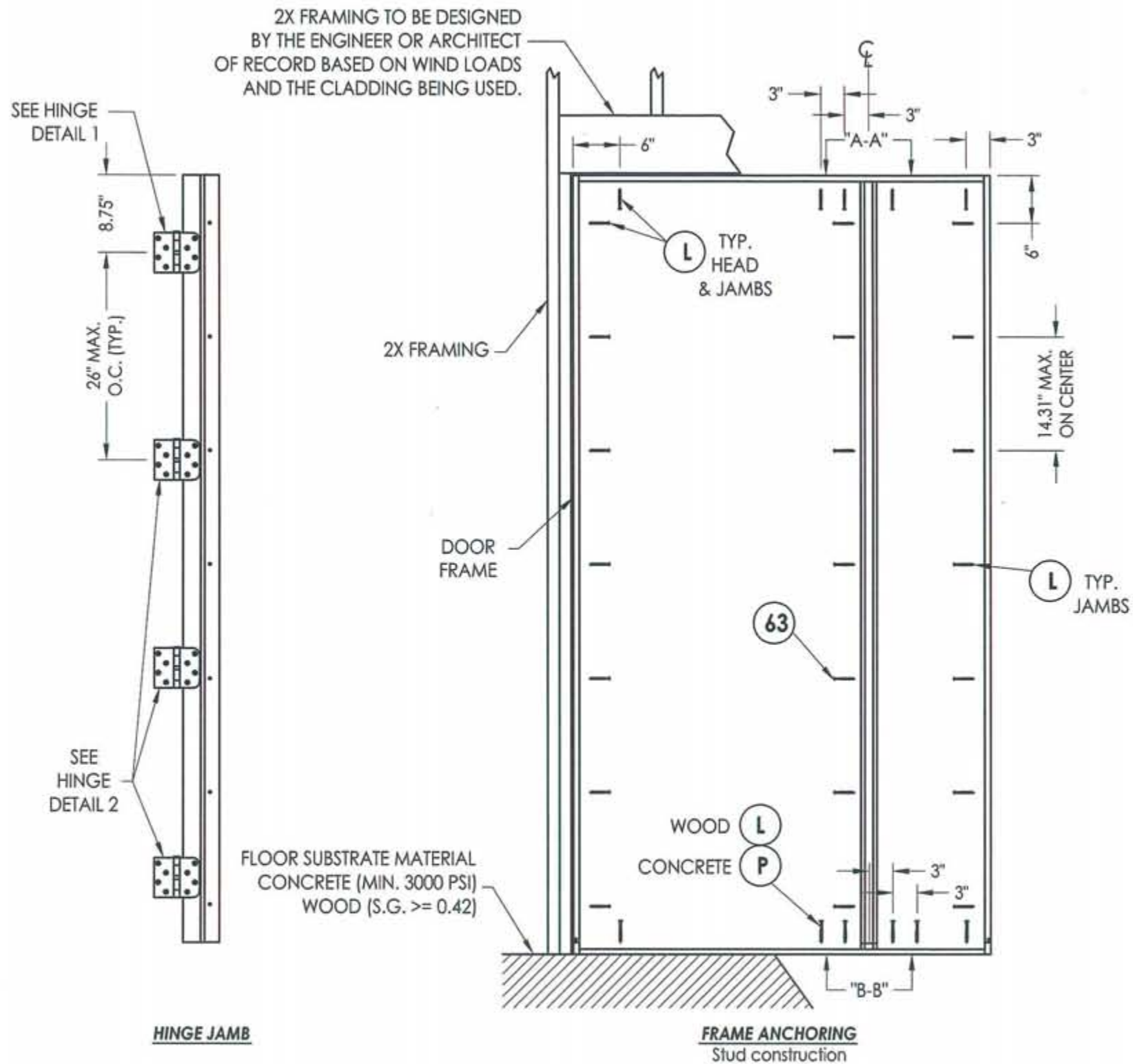
**4** VERTICAL CROSS SECTION  
**7** Inswing sill



Documents Prepared By: Lyndon F. Schmidt, P.E.  
 TEXAS P.E. #104123  
 R.W. BUILDING CONSULTANTS, INC.  
 P.O. Box 230 Valrico FL 33605  
 Phone No.: 813.659.9197  
 TEXAS BOARD OF PROFESSIONAL ENGINEERS  
 CERTIFICATE OF REGISTRATION # F-11852

PRODUCT:	TRINITY GLASS INT'L 80 PREMIUM OPAQUE	
PART OR ASSEMBLY:	VERTICAL CROSS SECTIONS	
NO.	DATE	BY
2	7/27/09	AL
1	6/28/06	EW
REVISIONS		
DATE:	11/21/05	
SCALE:	N.T.S.	
DWG. BY:	AEM	
CHK. BY:	LFS	
DRAWING NO.:	TX-716	
SHEET	7 of 11	





Documents Prepared By: Lyndon F. Schmidt, P.E.  
TEXAS P.E. #104123

RW BUILDING CONSULTANTS, INC.  
P.O. Box 230 Valrico FL 33595  
Phone No.: 813.659.9197

TEXAS BOARD OF PROFESSIONAL ENGINEERS  
CERTIFICATE OF REGISTRATION # F-11852

PRODUCT: TRINITY GLASS INT'L  
80 PREMIUM OPAQUE

PART OR ASSEMBLY:  
FRAME ANCHORING (XO)

NO.	DATE	REVISIONS
2	7/27/09	TDI PRODUCT EVALUATION UPDATE
1	6/28/06	REVISED LOCKSET NOMENCLATURE
		AL
		EW
		BY

DATE: 11/21/05

SCALE: N.T.S.

DWG. BY: AEM

CHK. BY: LFS

DRAWING NO.: TX-716

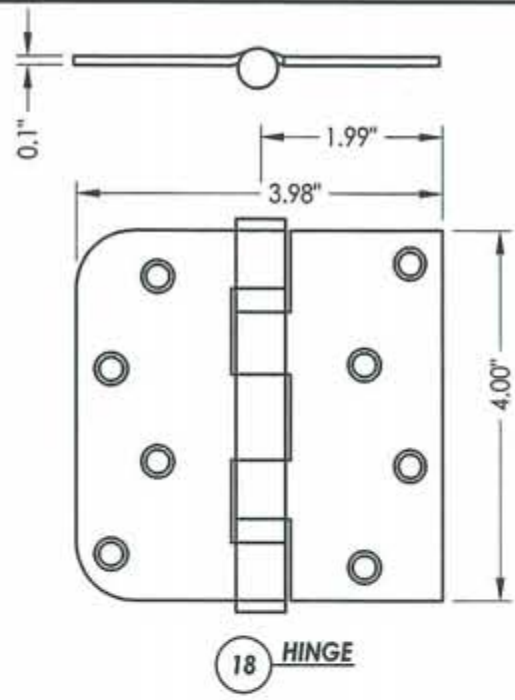
SHEET 8 OF 11



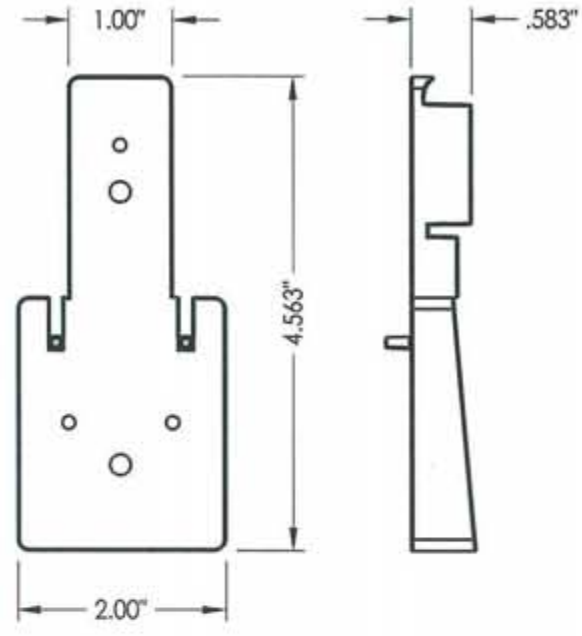




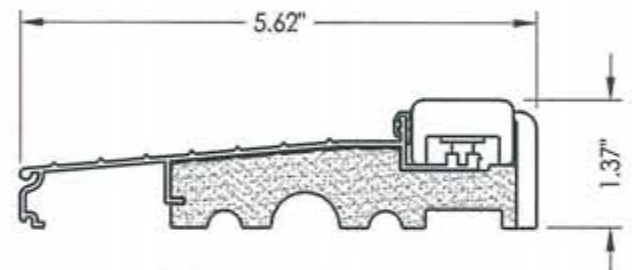
R:\A - Projects\Project Folders\Proj 801 - 900\p826\TX-716\TX-716.dwg, 10



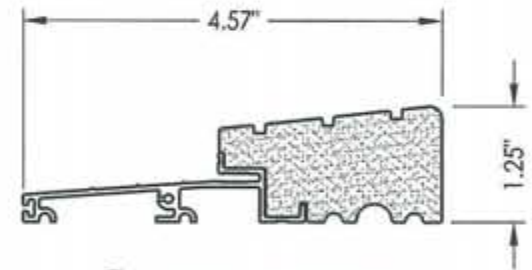
18 HINGE



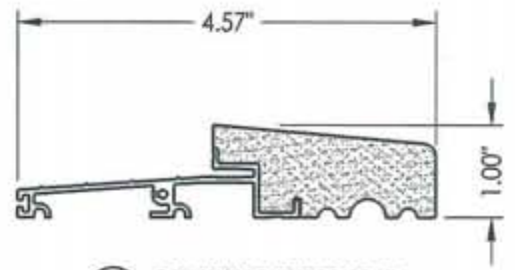
69 MULLION BASE KIT  
Optional



5 INSWING THRESHOLD



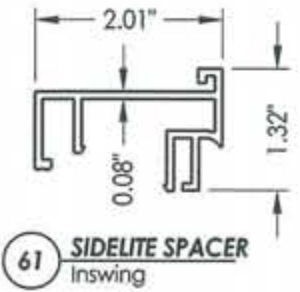
25 OUTSWING THRESHOLD  
High-dam option



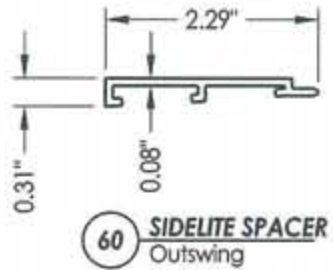
27 OUTSWING THRESHOLD



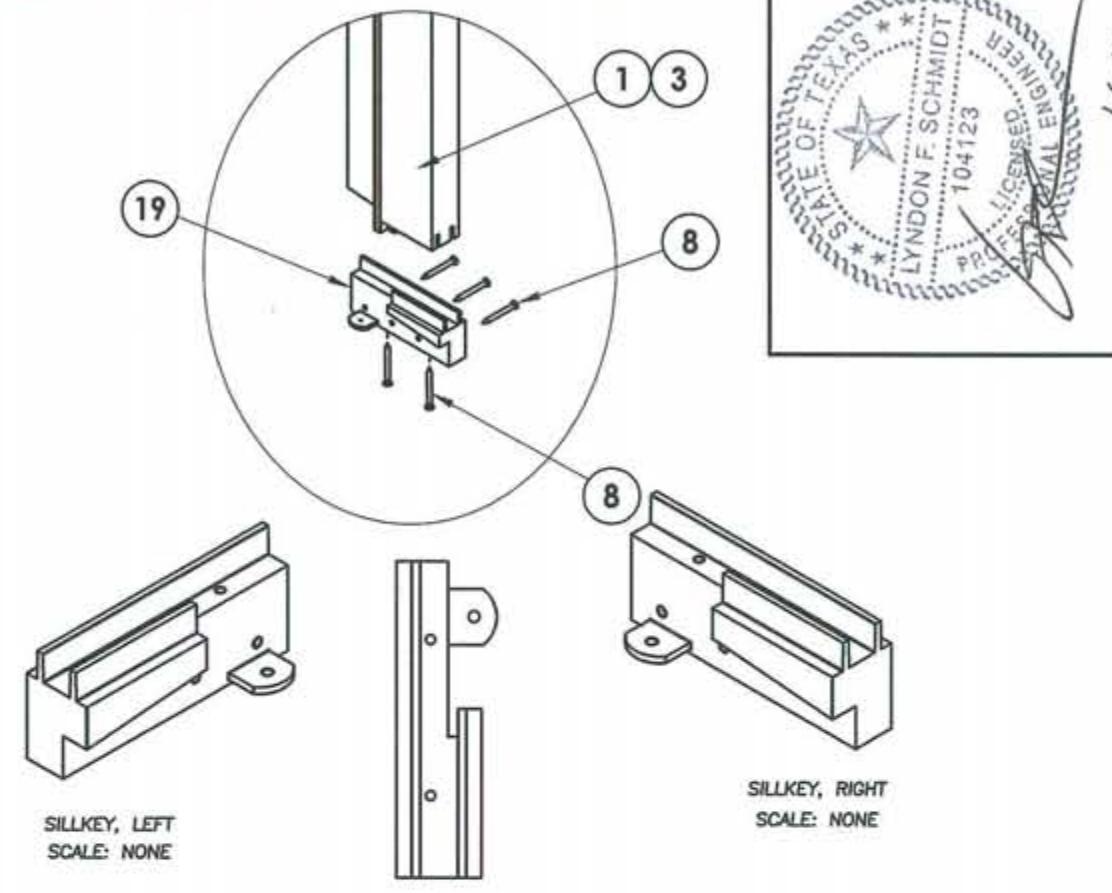
6 DOOR BOTTOM SWEEP



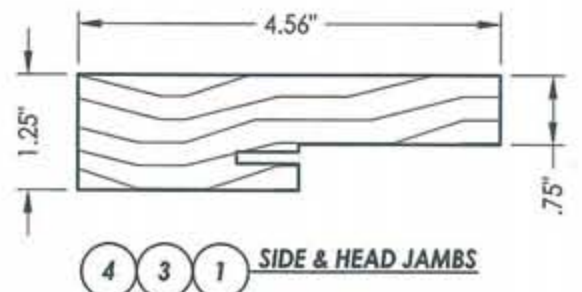
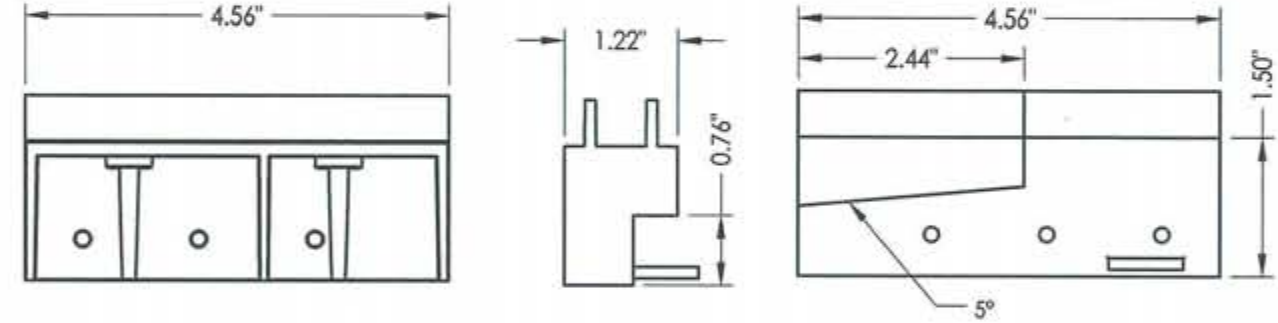
61 SIDELITE SPACER  
Inswing



60 SIDELITE SPACER  
Outswing



19 SILLKEY DETAILS  
Optional



4 3 1 SIDE & HEAD JAMBS



Documents Prepared By: Lyndon F. Schmidt, P.E.  
TEXAS P.E. #104123

**RW** BUILDING CONSULTANTS, INC.  
P.O. Box 230 Valrico FL 33595  
Phone No.: 813.659.9197

TEXAS BOARD OF PROFESSIONAL ENGINEERS  
CERTIFICATE OF REGISTRATION # F-11852

PRODUCT: TRINITY GLASS INT'L  
80 PREMIUM OPAQUE

PART OR ASSEMBLY: COMPONENTS

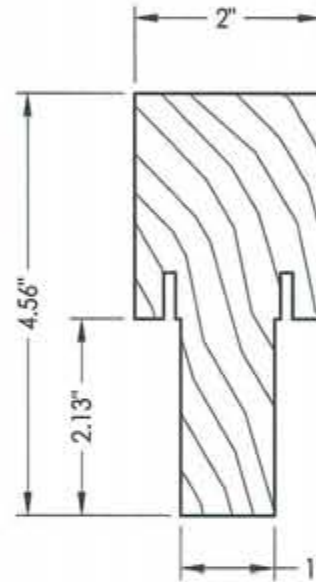
NO.	DATE	REVISIONS
2	7/27/09	TDI PRODUCT EVALUATION UPDATE
1	6/28/06	REVISED LOCKSET NOMENCLATURE
		AL
		EW
		BY

DATE: 11/21/05  
SCALE: N.T.S.  
DWG. BY: AEM  
CHK. BY: LFS  
DRAWING NO.: TX-716  
SHEET 10 OF 11



**BILL OF MATERIALS**

ITEM	DESCRIPTION	MATERIAL
A	2X HEADER FRAMING SG >= 0.42	WOOD
B	2X FRAMING SG >= 0.42	WOOD
G	MAX. 1/4" SHIM SPACE	WOOD
J	#9 X 2-1/4" PFH WS	STEEL
L	#8 X 3" PFH WS	STEEL
P	3/16" X 2-3/4" ELCO OR ITW PFH CONCRETE SCREW	STEEL
1	SIDELITE JAMB - FINGER-JOINT PINE - SG >= 0.42	WOOD
3	HINGE JAMB - FINGER-JOINT PINE - SG >= 0.42	WOOD
4	HEAD - FINGER-JOINT PINE - SG >= 0.42	WOOD
5	INSWING THRESHOLD ALUMINUM W/ COMPOSITE SUBSTRATE	ALUMINUM
6	DOOR BOTTOM SWEEP	PVC
7	DOOR PANEL - SEE DOOR PANEL DETAIL SHEET FOR CONSTRUCTION DETAILS	-
8	#6 X 1-1/4 PFH DRYWALL SCREW	STEEL
9	#9 X 2-1/4" PFH SMS	STEEL
12	WEATHER STRIP QEBD650 Q-LON	-
18	3.983" X 4.0" HINGE MIN 0.098" THICK	STEEL
19	SILLKEY	PC/ASA
21	LOCK (SEE LOCK & DEADBOLT RATINGS CHART)	STEEL
22	DEADBOLT (SEE LOCK & DEADBOLT RATINGS CHART)	STEEL
23	STRIKE PLATE	STEEL
23A	DEADBOLT PLATE	STEEL
24	#9 X 5/8" PFH WS	STEEL
25	OUTSWING HIGH-DAM THRESHOLD ALUMINUM W/ COMPOSITE SUBSTRATE	ALUM./ COMP.
26	#9 X 1.0" PFH WS	STEEL
27	OUTSWING THRESHOLD ALUMINUM W/ COMPOSITE SUBSTRATE	ALUM./ COMP.
30	LATCH STILE - SG >= 0.42	LVL/PVC
32	HINGE STILE - SG >= 0.42	LVL/PVC
33	TOP RAIL - POPLAR LVL & WPC COMBINATION	POPLAR/WPC
34	BOTTOM RAIL - POPLAR LVL & WPC COMBINATION	POPLAR/WPC
39	FIBERGLASS SKIN 0.079" MIN. THICKNESS (Fy = 5,203 PSI MIN.)	FIBERGLASS
40	#8 X 1-1/8" SELF THREADING SCREW	STEEL
42	ALUMINUM & BUTYL SPACER SYSTEM	ALUM./BUTYL
44	HOT MELT SEALANT	-
45	LITE FRAME	ABS
46	DOOR PANEL CORE FOAMED	POLYURETHANE
60	SIDELITE SPACER - OUTSWING	PVC
61	SIDELITE SPACER - INSWING	PVC
62	QUARTER ROUND	WOOD
63	#8 X 2-1/4" PFH SCREW	STEEL
64	#8 X 2" PFH SCREW	STEEL
66	SIDELITE PANEL - SEE SIDELITE PANEL DETAIL SHEET FOR CONSTRUCTION DETAILS	-
67	INTEGRAL MULLION - FINGER JOINT PINE (SG >= 0.42)	WOOD
69	MULLION BASE KIT	PC/ASA
73	LVL SIDELITE TOP RAIL (FULL LITE)	POPLAR
74	LVL SIDELITE BOTTOM RAIL (FULL LITE)	POPLAR
75	LVL SIDELITE STILE (FULL LITE)	POPLAR

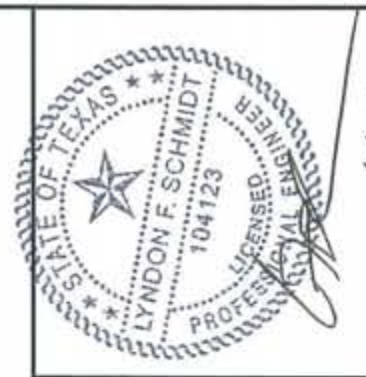


67 INTEGRAL MULLION

**CONCRETE ANCHOR NOTES:**

1. Substitution of equal concrete anchors from a different supplier may have different edge distance and center distance requirements.
2. Concrete anchor locations at the corners may be adjusted to maintain the min. edge distance to mortar joints. If concrete anchor locations noted as "MAX. ON CENTER" must be adjusted to maintain the min. edge distance to mortar joints, additional concrete anchors may be required to ensure the "MAX. ON CENTER" dimensions are not exceeded.
3. Concrete anchor table:

ANCHOR TYPE	ANCHOR SIZE	MIN. EMBEDMENT	MIN. CLEARANCE TO MASONRY EDGE	MIN. CLEARANCE TO ADJACENT ANCHOR
ITW	3/16"	1-3/4"	2-5/8"	2-1/4"
ELCO	3/16"	1-3/4"	1"	3"



Documents Prepared By: Lyndon F. Schmidt, P.E.  
TEXAS P.E. #104123

**RW** BUILDING CONSULTANTS, INC.  
P.O. Box 230 Volrico FL 33595  
Phone No.: 813.659.9197

TEXAS BOARD OF PROFESSIONAL ENGINEERS  
CERTIFICATE OF REGISTRATION # F-11852

PRODUCT:	TRINITY GLASS INT'L 8'0 PREMIUM OPAQUE	
PART OR ASSEMBLY:	BILL OF MATERIALS	
NO.	DATE	REVISIONS
2	7/27/09	TDI PRODUCT EVALUATION UPDATE
1	6/28/06	REVISED LOCKSET NOMENCLATURE
		AL
		EW
		BY
DATE: 11/21/05		
SCALE: N.T.S.		
DWG. BY: AEM		
CHK. BY: LFS		
DRAWING NO.: TX-716		
SHEET 11 OF 11		